

Starpoint FM1 Feature Mechanism Product Summary

Description

The FM1 is the smallest feature mechanism available from Starpoint offering flat presentation of a single illuminated symbol. Designed uniquely for use in confined spaces and to allow maximum use of the glass area for other game features. The FM1 is mounted directly to the glass giving further freedom in the choice of position within the game structure. The FM1 has a 12 symbol reel band with single symbol illumination. The design is based on the well proven Starpoint Flexi-Strip products and the reel band is simple to fit and remove.

Electrical Outline

The FM1 is available with a 48 step 12vdc high power motor. Optional integral driver circuits are available with this unit, it is recommended that these are included for any samples requested. Connection is made with a 15 way Connector. A photo optic device provides detection of the reel band and symbol position. The lamp for rear illumination can be supplied with an integral diode to allow the lamp to be part of a lamp matrix for reduced wiring costs (request the matrix information sheet for more data). Further more detailed technical information is available in the FM1 Technical Information Pack which can be requested when ordering samples.

Mechanical Outline

Dimensional information is shown on the reverse of this sheet. The reel band is removed by compressing one corner roller and lifting the band off. The mechanical direct drive system is reliable, well proven and does not require maintenance. The dimensions for fitting the mechanism to the glass are shown on the reverse of this sheet.

Sample Ordering

When requesting samples a brief specification is required which identifies the basic options required.

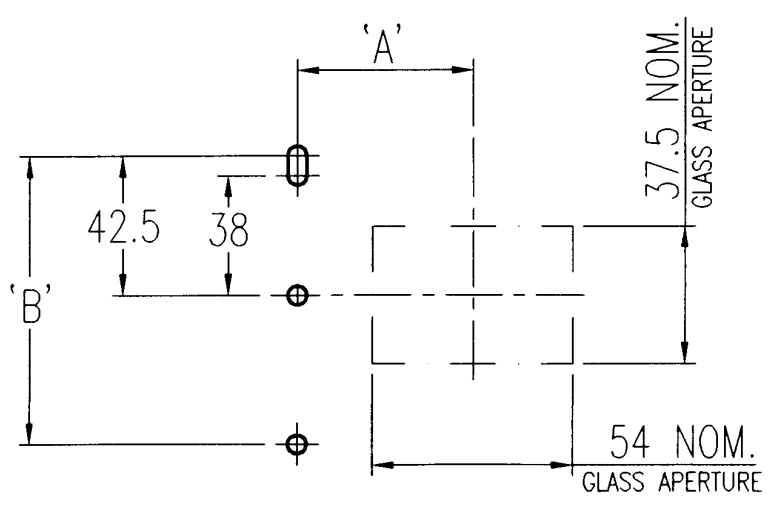
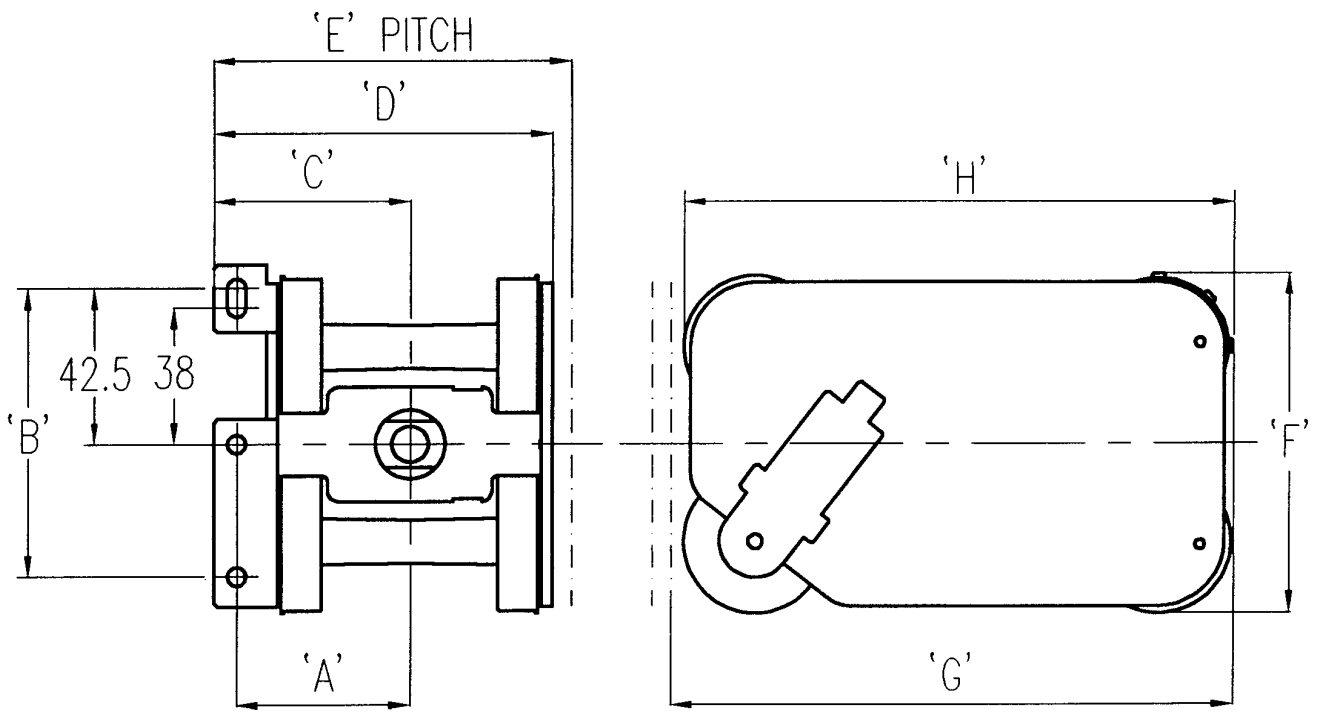
Are integral diodes required with lamps?

Are integral motor driver circuit drivers required ?

If you require a sample please fax Starpoint on +44 (0)20 8391 7760 with your required options from the above and intended application. The sample will be sent complete with Technical Information giving applications information and details of how to specify your exact product requirement in the future.

Starpoint FM1 Feature Mechanism Dimensional Information

'A'	'B'	'C'	'D'	'E'	'F'	'G'	'H'
47.25	85	53.5	92.5	96.5	94.22	152.95	151.25



GLASS MOUNTING DETAILS