

# Starpoint Series 3 Push Button Product Summary

## Introduction

The Series 3 push buttons use a unique and innovative design approach, allowing the buttons to be positioned anywhere on the game glass, without the need to machine expensive through holes.

## Electrical Outline

The rear PCB assembly is a standard component throughout the entire range of Series 3 push buttons. The PCB holds the reed switch and a connector. The mating half connector is either of the following:

IDC - Molex 7720S Series

Part Number 22-50-3035

or

Crimp - Molex 6471 Series

Part Number 22-01-2035 - used with crimp terminal 4809 x 3 off.

## Mechanical Outline

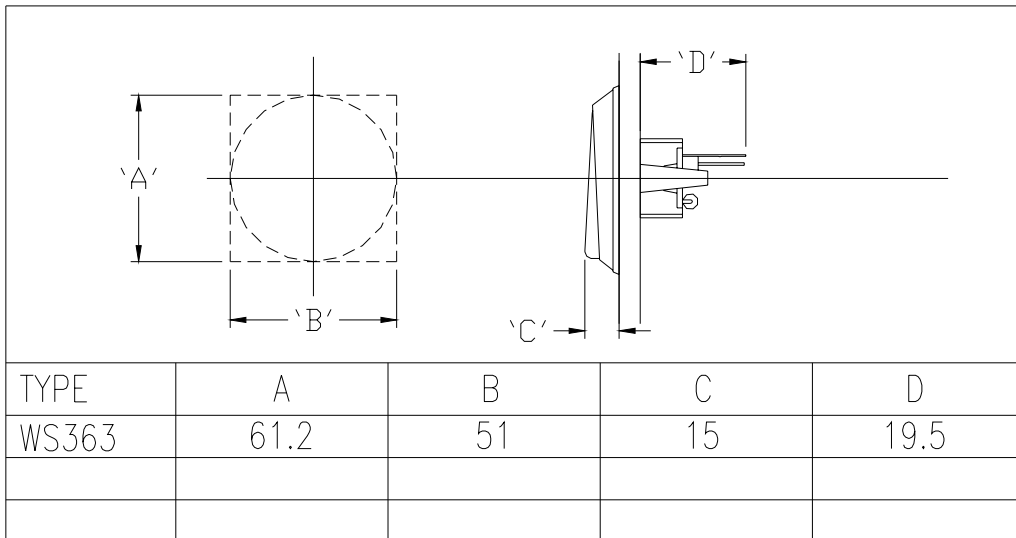
Dimensional information of overall sizes & shapes of the Series 3 Push Button is included on the space envelope of this document, together with button insert sizes.

## Sample Ordering

If you require a sample, fax Starpoint on +44 (0)20 8391 7760 with your intended application. The sample will be sent, together with details of how to specify your exact product requirement.

# Starpoint Series 3 Push Button Dimensional Information

## Space Envelope



## Insert size – WS363

