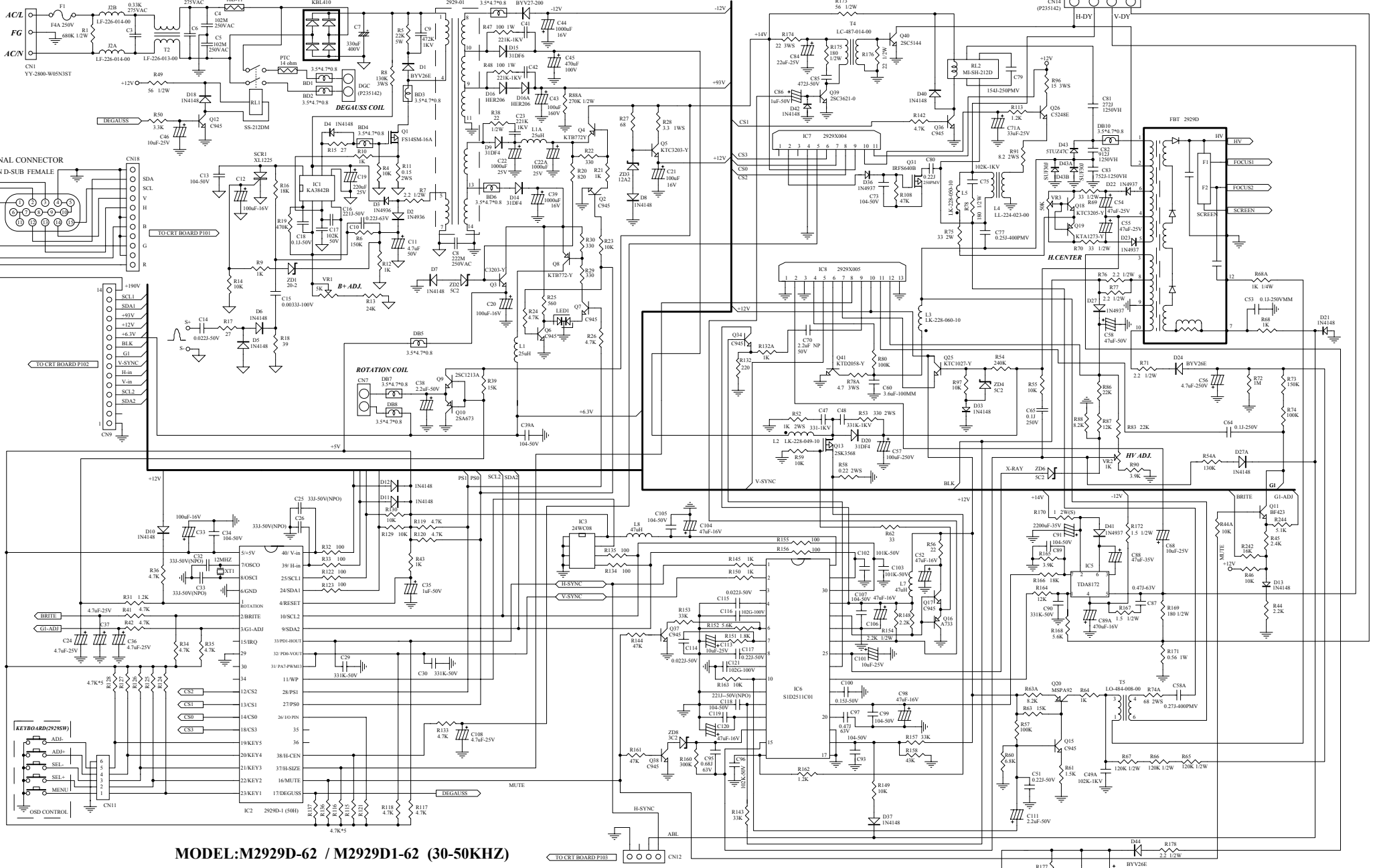


INPUT 100-240VAC



MODEL:M2929D-62 / M2929D1-62 (30-50KHZ)

TO CRT BOARD P101

CN12

CN14

H-DY

V-DY

BYV26E

C123

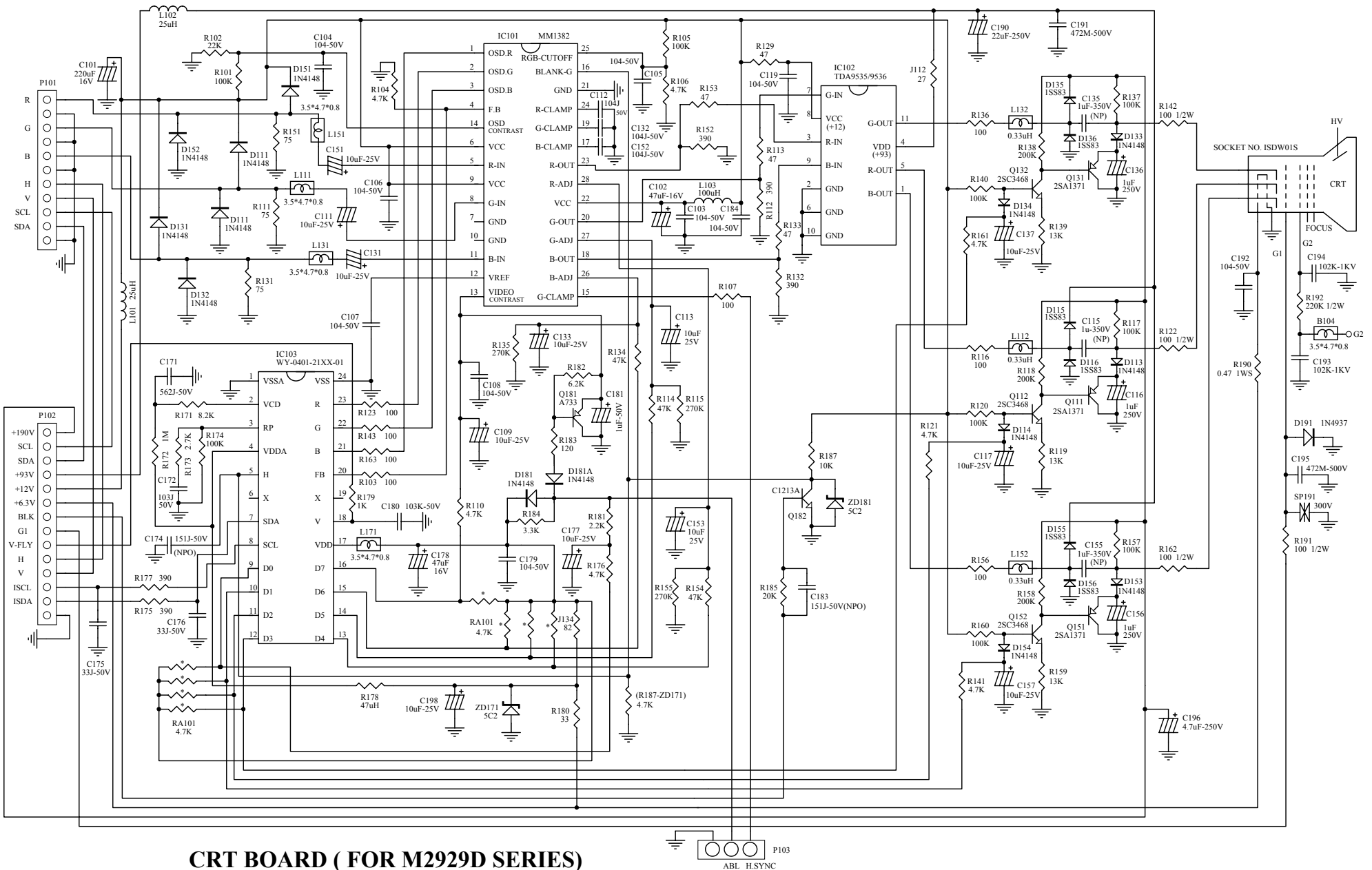
100-500V

250V

120K 1/2W

120K 1/2W

120K 1/2W



**CRT BOARD (FOR M2929D SERIES)
NECKBOARD SCHEMATIC**