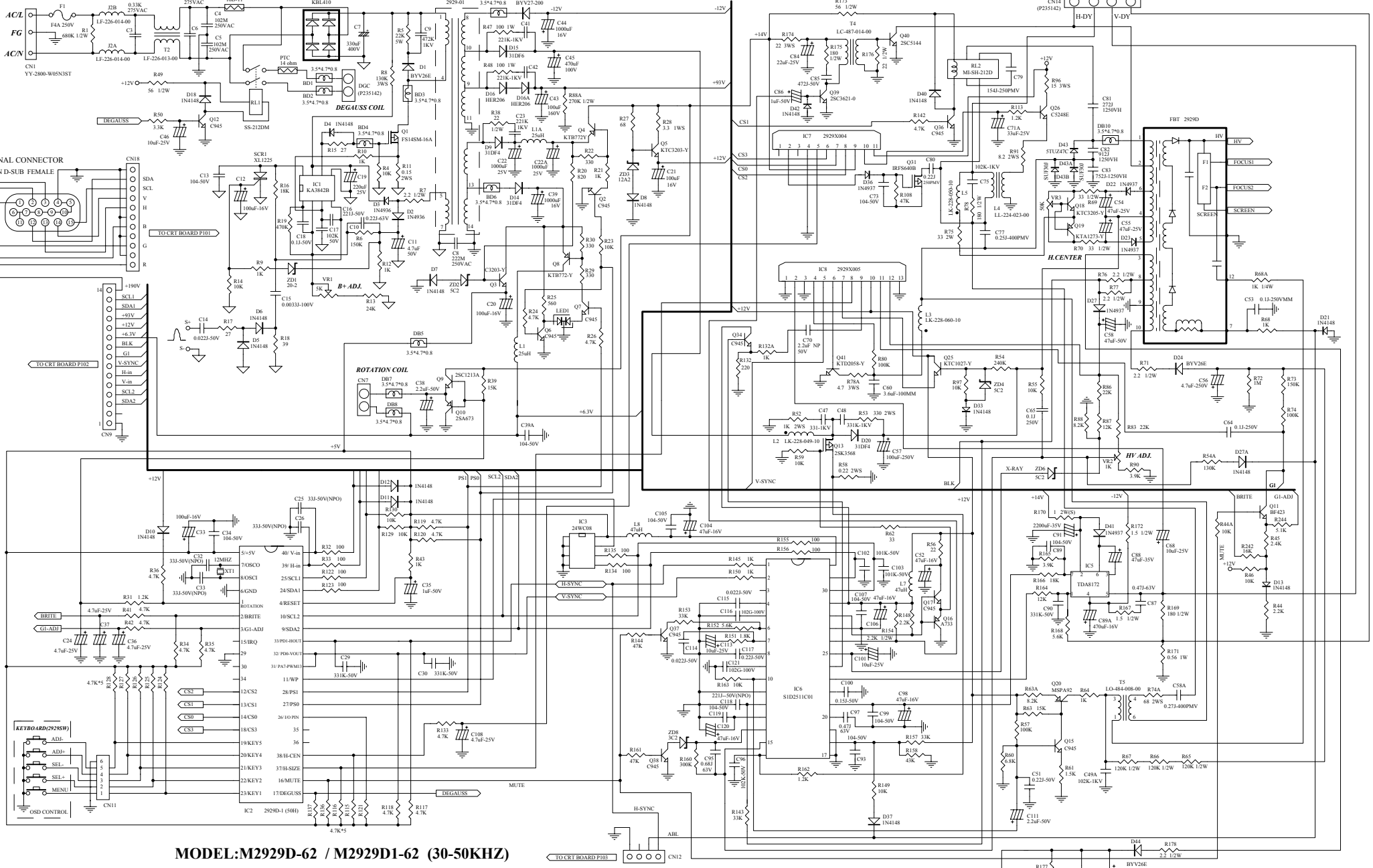


INPUT 100-240VAC

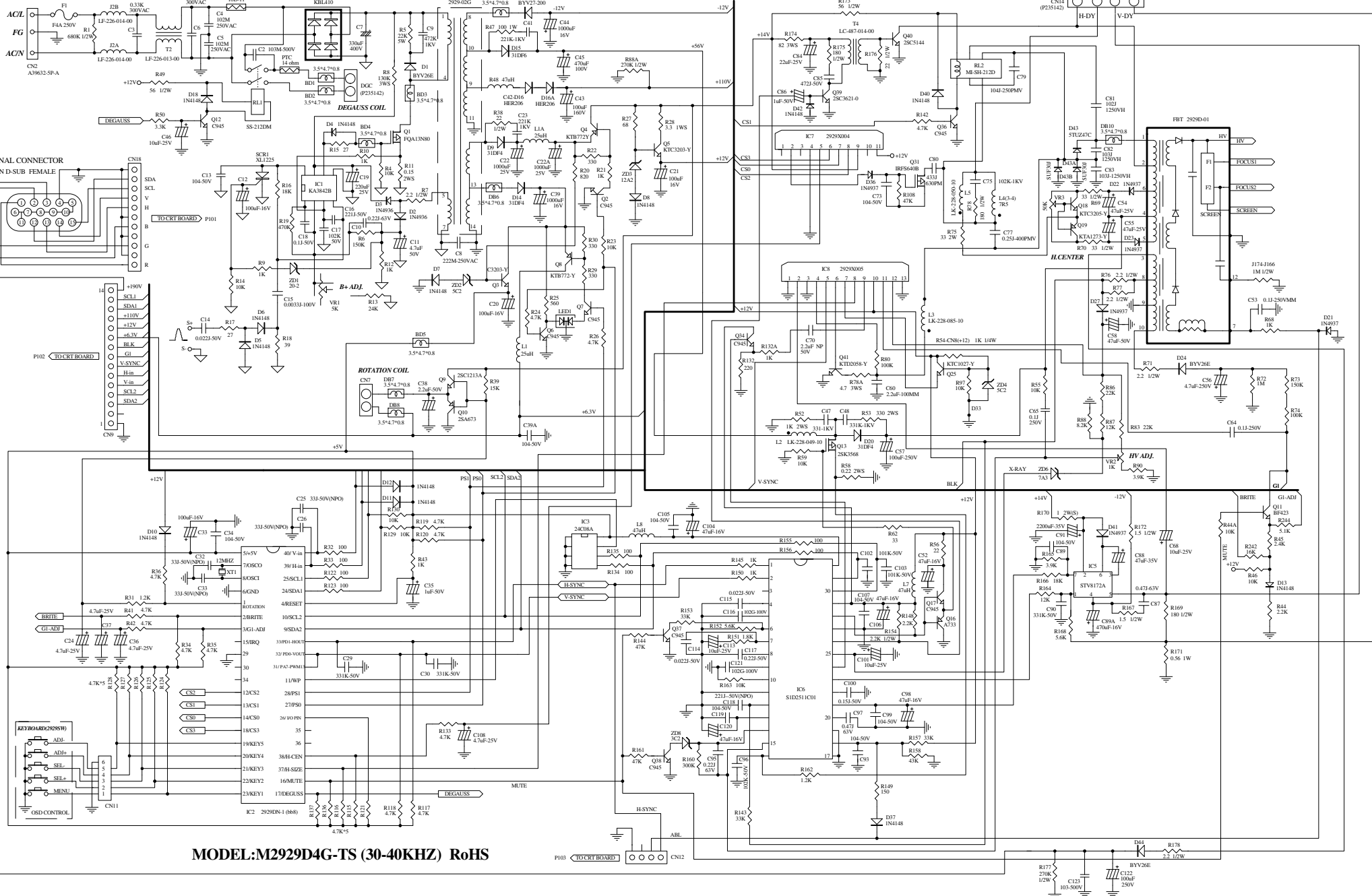


MODEL:M2929D-62 / M2929D1-62 (30-50KHZ)

TO CRT BOARD P101

CN12

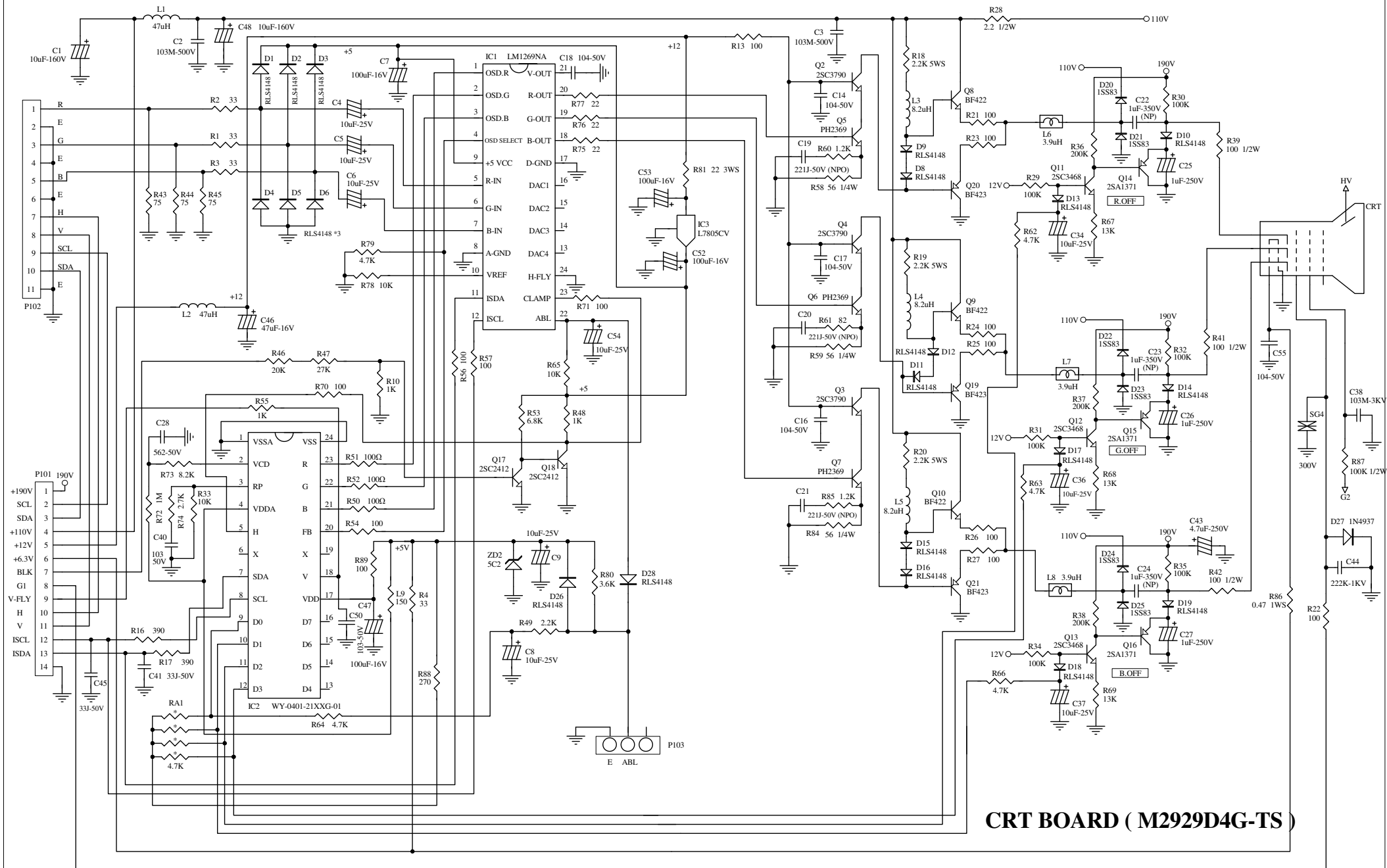
INPUT 90-240VAC

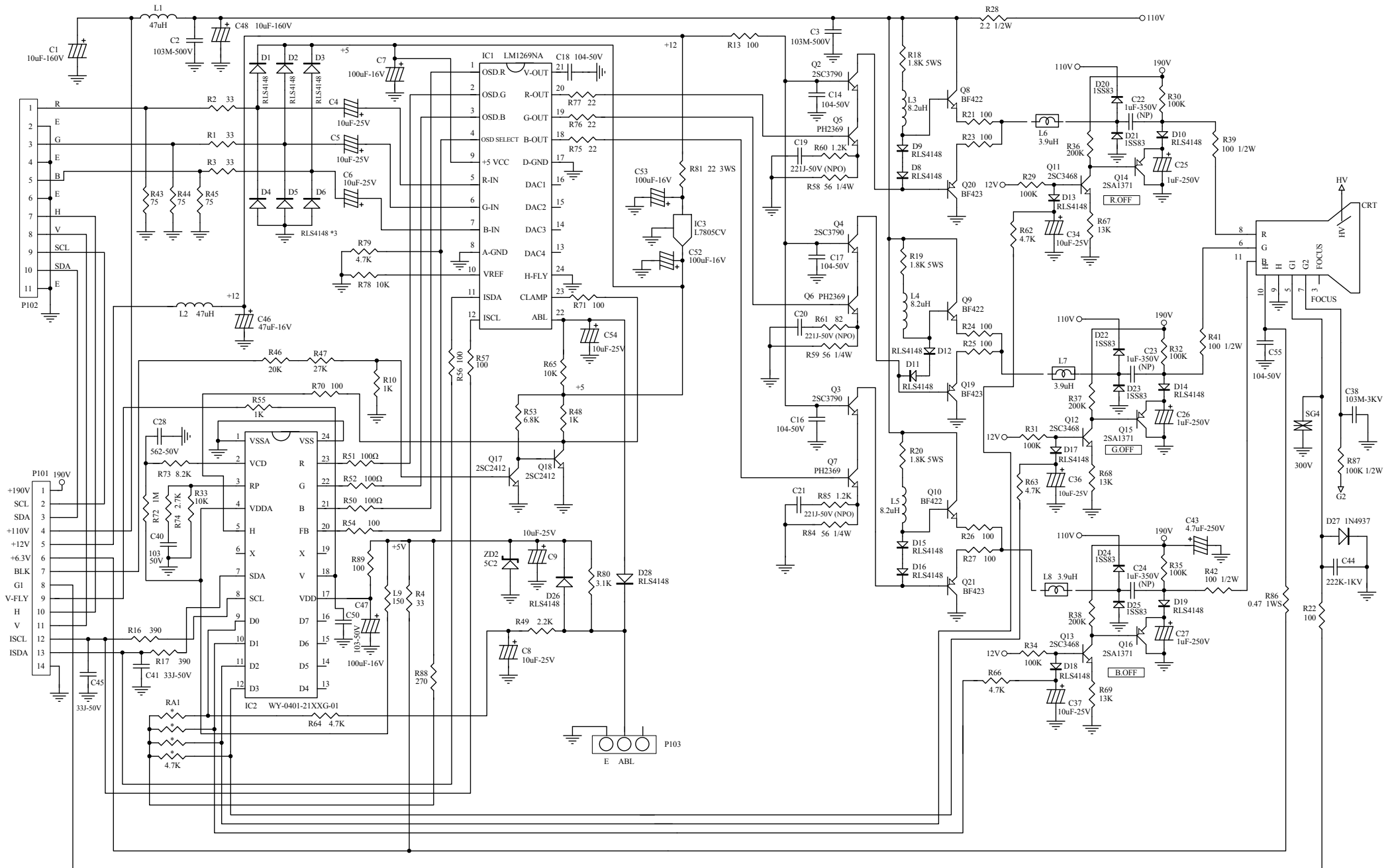


MODEL:M2929D4G-TS (30-40KHZ) RoHS

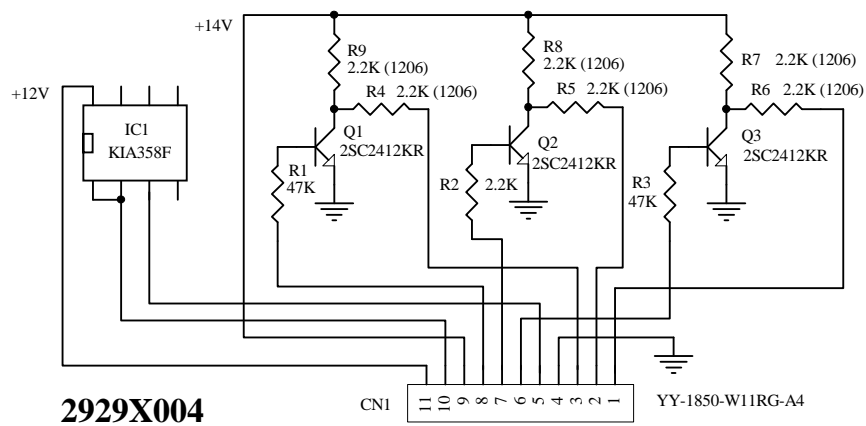
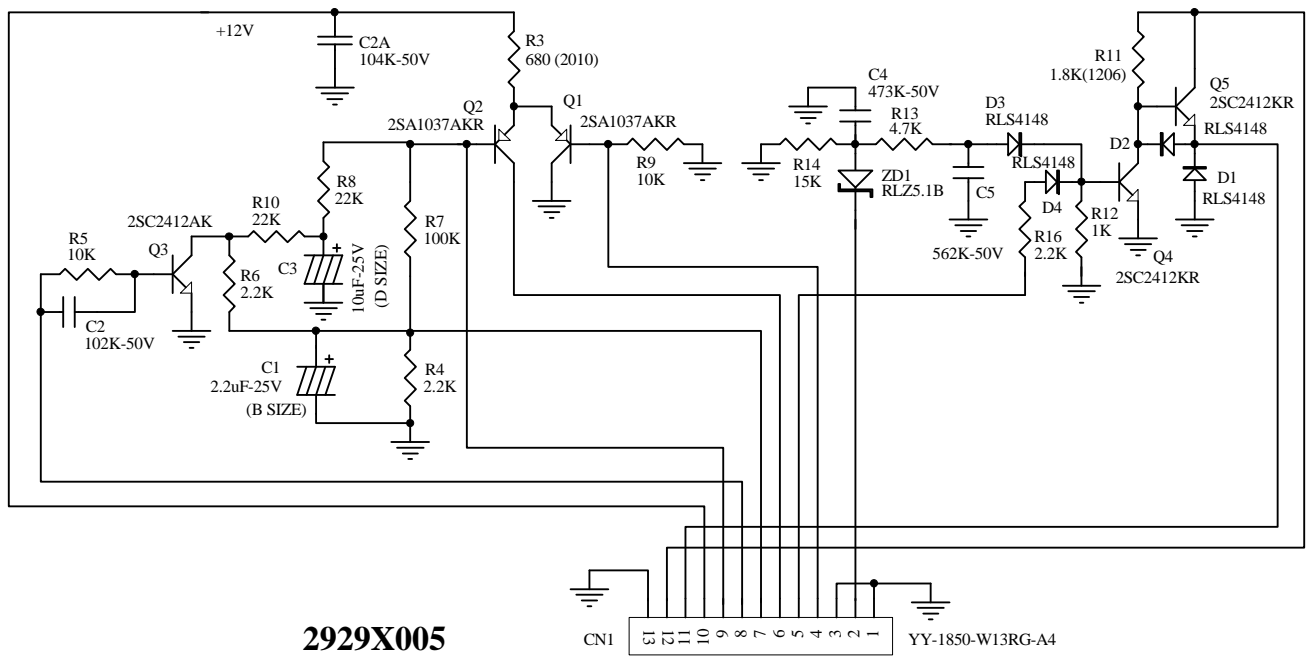
P100 TO CRT BOARD

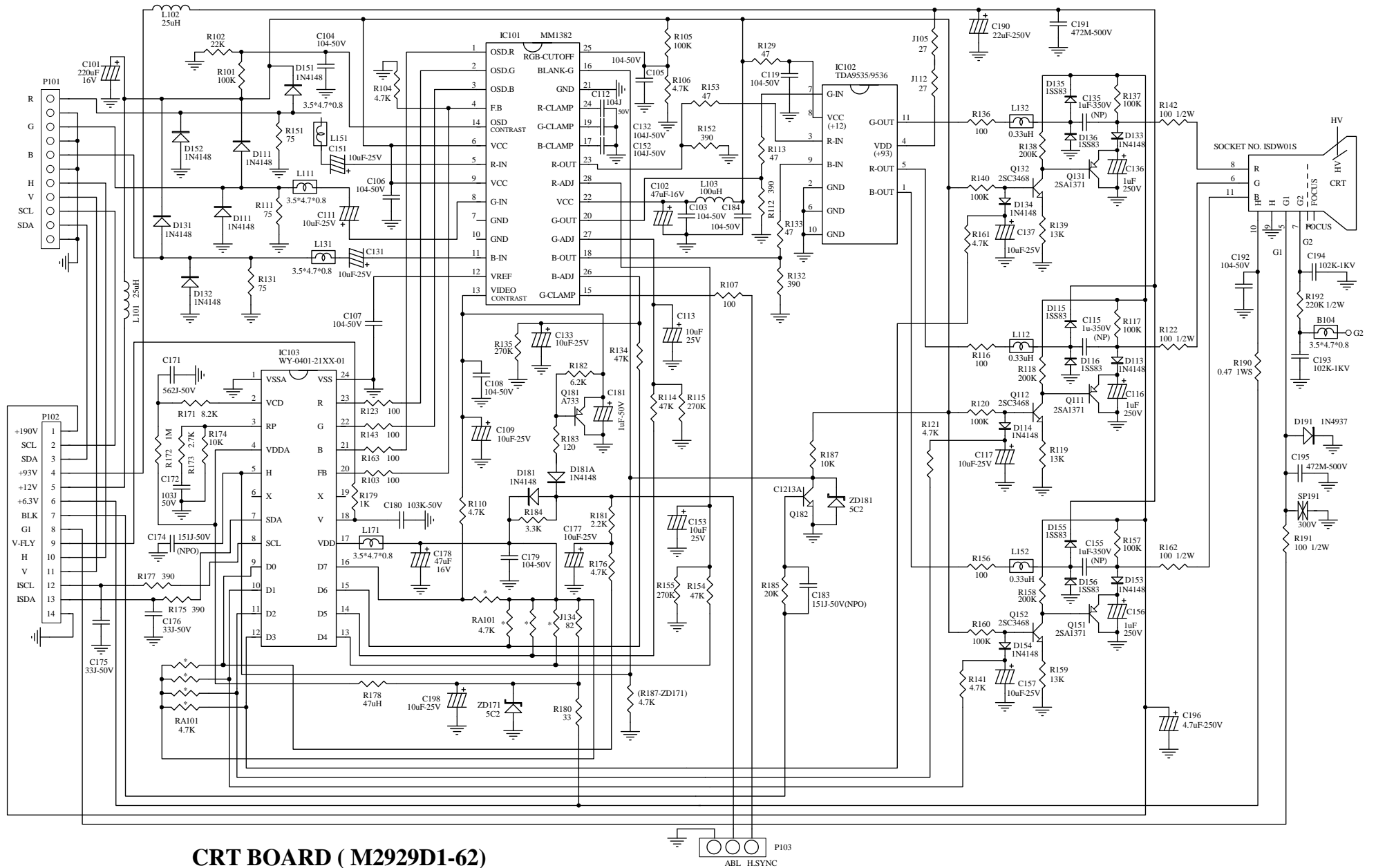
CN12





CRT BOARD (M2929D1G-62)





CRT BOARD (M2929D1-62)