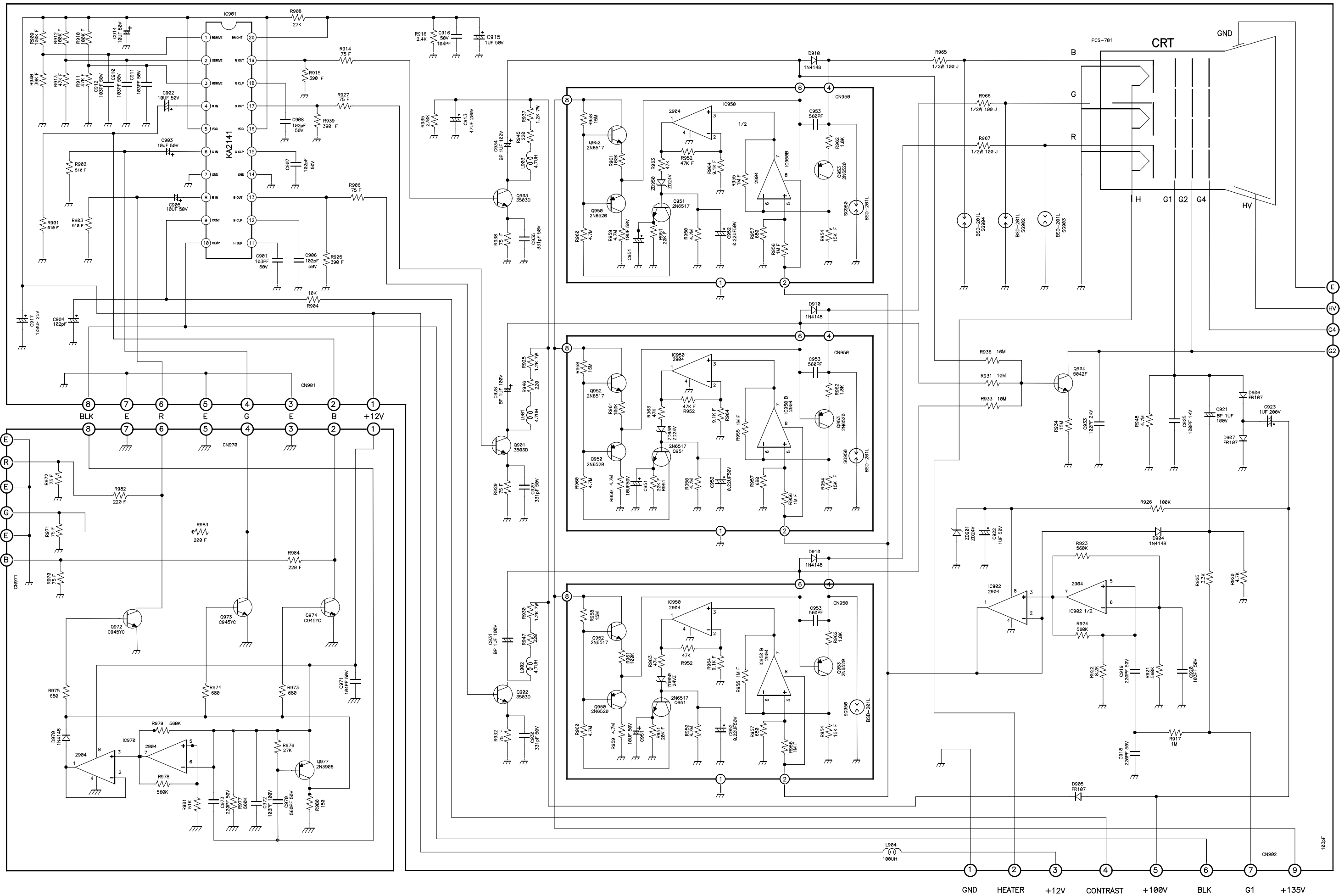
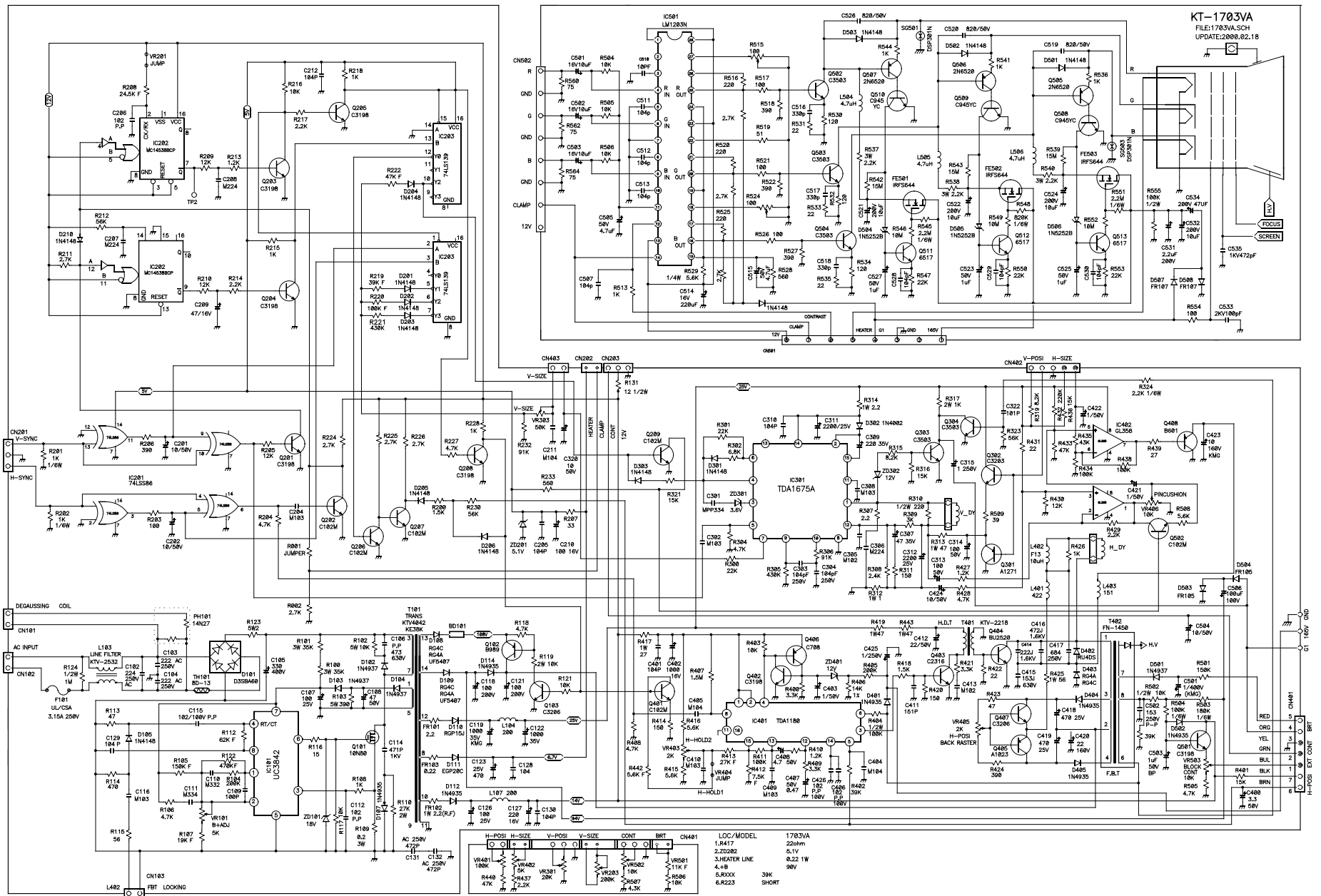


GRAY  
WHITE  
ORANGE  
RED  
YELLOW  
CN781  
CN782  
CN783  
GREEN  
BLUE  
CN783



GND HEATER +12V CONTRAST +100V BLK G1 +135V

163pF



KT-1703VA  
 FILE:1703VA.SCH  
 UPDATE:2000.02.18

Pin	Signal	Component	Value
1	H-POS	VR401	180K
2	H-SIZE	VR402	47K
3	H-SIZE	VR403	47K
4	H-SIZE	VR404	47K
5	H-SIZE	VR405	47K
6	H-SIZE	VR406	47K
7	H-SIZE	VR407	47K
8	H-SIZE	VR408	47K
9	H-SIZE	VR409	47K
10	H-SIZE	VR410	47K
11	H-SIZE	VR411	47K
12	H-SIZE	VR412	47K
13	H-SIZE	VR413	47K
14	H-SIZE	VR414	47K
15	H-SIZE	VR415	47K
16	H-SIZE	VR416	47K
17	H-SIZE	VR417	47K
18	H-SIZE	VR418	47K
19	H-SIZE	VR419	47K
20	H-SIZE	VR420	47K
21	H-SIZE	VR421	47K
22	H-SIZE	VR422	47K
23	H-SIZE	VR423	47K
24	H-SIZE	VR424	47K
25	H-SIZE	VR425	47K
26	H-SIZE	VR426	47K
27	H-SIZE	VR427	47K
28	H-SIZE	VR428	47K
29	H-SIZE	VR429	47K
30	H-SIZE	VR430	47K
31	H-SIZE	VR431	47K
32	H-SIZE	VR432	47K
33	H-SIZE	VR433	47K
34	H-SIZE	VR434	47K
35	H-SIZE	VR435	47K
36	H-SIZE	VR436	47K
37	H-SIZE	VR437	47K
38	H-SIZE	VR438	47K
39	H-SIZE	VR439	47K
40	H-SIZE	VR440	47K
41	H-SIZE	VR441	47K
42	H-SIZE	VR442	47K
43	H-SIZE	VR443	47K
44	H-SIZE	VR444	47K
45	H-SIZE	VR445	47K
46	H-SIZE	VR446	47K
47	H-SIZE	VR447	47K
48	H-SIZE	VR448	47K
49	H-SIZE	VR449	47K
50	H-SIZE	VR450	47K

