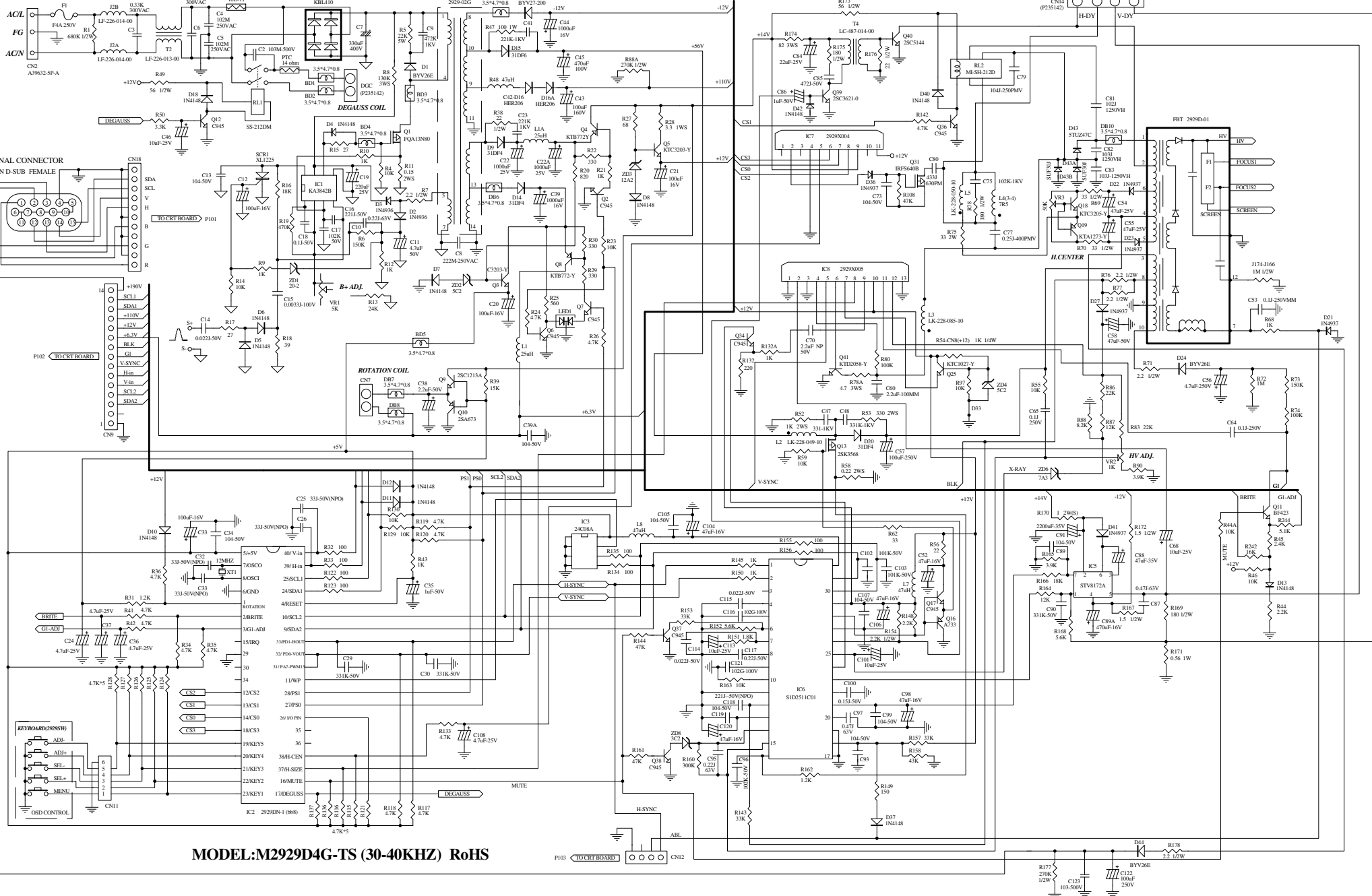


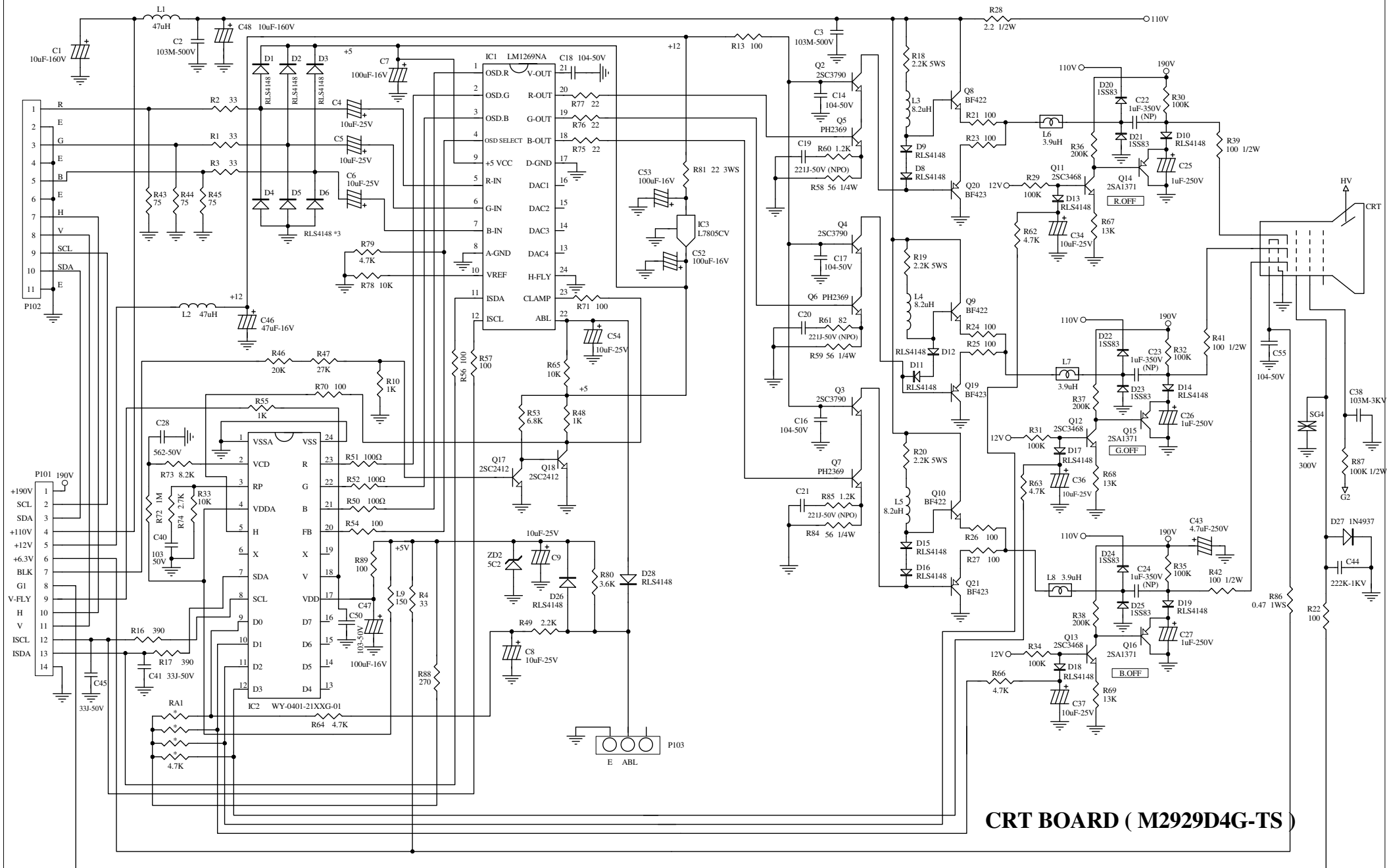
INPUT 90-240VAC



MODEL:M2929D4G-TS (30-40KHZ) RoHS

PH10 TO CTR BOARD

CN12



**CRT BOARD ( M2929D4G-TS )**