

Starpoint 1DM Disc Mechanism Product Summary

Description

The 1DM is a means of displaying a rotating disc in a game, using a stepper motor drive in a similar way to Reel Mechanisms. The unit consists of a Reel Mechanism frame on which is mounted the motor. A special hub is fitted to the motor shaft, this hub is designed to provide the mounting for a disc up to 9 inches (23cm) in diameter. The disc may have rear illumination by mounting a vacuum formed assembly with lamp harness on the frame. A selection of build options are available, with (5) different motors & (5) different electrical interfaces.

Electrical Outline

The 1DM is available with either 48 step 12vdc or 24vdc , 100 step 24vdc & 200 step 12vdc or 24vdc motors. Connection is made to the unit via a standard 15 way connector. A photo optic detector provides position information of the disc and its symbols. Any combination of rear illumination is possible, definable by the user. Two standard designs are available from Starpoint.

- i) A single symbol illumination.
- ii) A 12/24 symbol illumination where the lamps are routed through a separate harness.

Selection of the different numbers of symbols round the disc must be related to the stepper motor selection.

The lamps can be supplied with an integral diode in circuit to allow for matrix connection and subsequent wire harness savings (request the Matrix Information Sheet for more details).

Mechanical Outline

Dimensional information of the 1DM is shown on the reverse of this sheet. The unit comprises of the frame, motor and disc mounting hub. The user provides the design and supply of the disc, although Starpoint have two standard designs available if required.

The vacuum form illumination module mounts to the 1DM frame, care must be taken in the design to avoid interfering with the optic tab rotation.

To achieve the most flexible design of artwork it is recommended the artwork is either printed on an adhesive backed material and stuck to the disc at final assembly or printed directly onto disc.

Sample Ordering

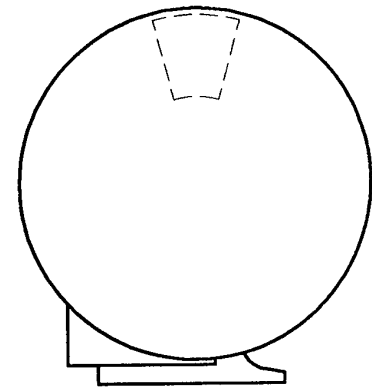
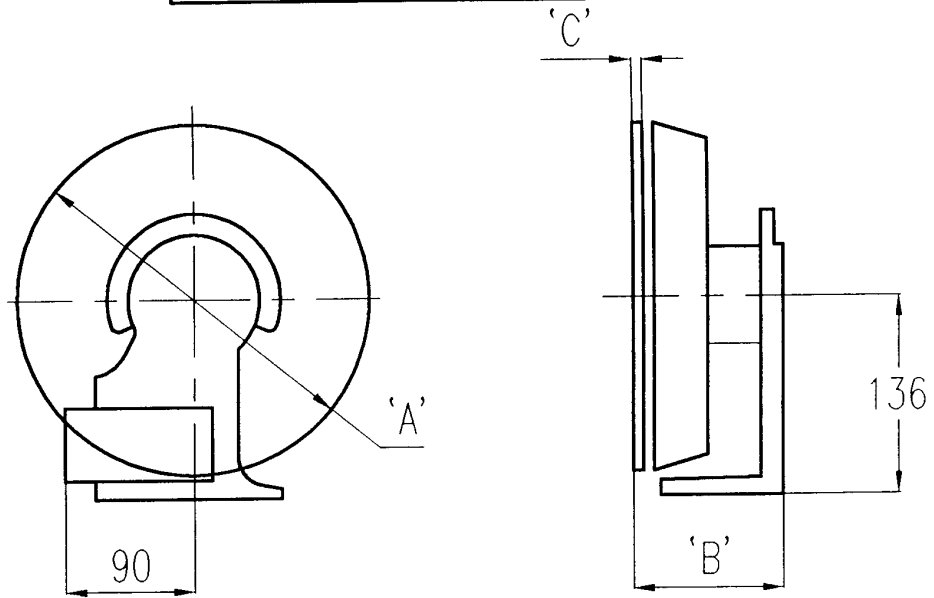
When requesting samples please specify the following:

Motor type	48 step		100 step	200 step	
	12vdc	24vdc	24vdc	12vdc	24vdc
Illumination option	Single Lamp			24 Lamp	

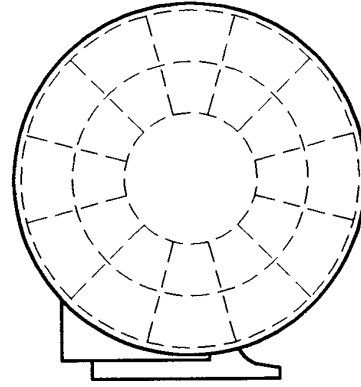
If you require a sample please fax Starpoint on +44 (0)20 8391 7760 with your required options from the above and intended application. The sample will be sent complete with Technical Information giving applications information and details of how to specify your exact product requirement in the future.

Starpoint 1DM Disc Mechanism Dimensional Information

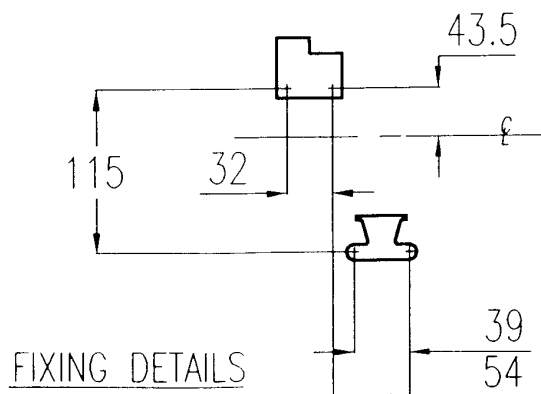
'A'	'B'	'C'
230	81	2



STARPOINT
SINGLE ILLUMINATION
SAMPLE



STARPOINT
12/24 ILLUMINATION
SAMPLE



FIXING DETAILS