

Starpoint 18RM Reel Mechanism Product Summary

Description

The 18RM is the most robust reel mechanism product available from the Starpoint range and is designed for gaming applications. Combining the well known modular design with the rigid metal frame construction. This high quality product is assembled to the cabinet with the Patented Quick Clip system which in one simple movement makes the electrical connection and fixes the unit to the cabinet without the need of tools. Available with a full range of reel drum widths along with optional rear illumination.

Electrical Outline

The 18RM is available with a 200 step motor, 12vdc or 24vdc. Connection is made to the unit with an 18 way connector mounted in the "Quick Clip" bracket. A photo optic device provides detection of the reel drum and symbol position. Dependant on reel drum width , either 3 or 6 lamps are available for rear illumination of the reel band symbols. The lamps are available with an optional integral diode in circuit, to allow for Matrix connection and wire harness savings (request the matrix information sheet for more data). Further more detailed technical information is available in the 18RM Information Pack which can be requested when ordering samples.

Mechanical Outline

Dimensional information is shown on the reverse of this Product Summary. The rear illumination lamp array can be adjusted to any angle from 0° to 180° and it is recommended this is a factory setting. The patented "Quick Clip" system comprises the custom designed connector bracket, a "mushroom" shaped locator pin and the "Quick Clip" handle which has the dual function of locating and locking the reel mechanism in position. Fixing for the reel band onto the drum is by plastic rivets or double sided tape

Sample Ordering

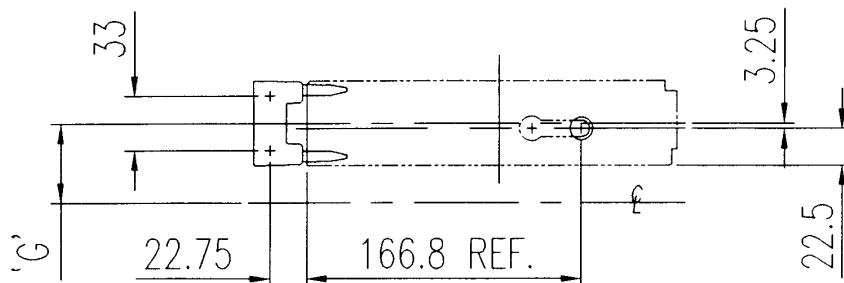
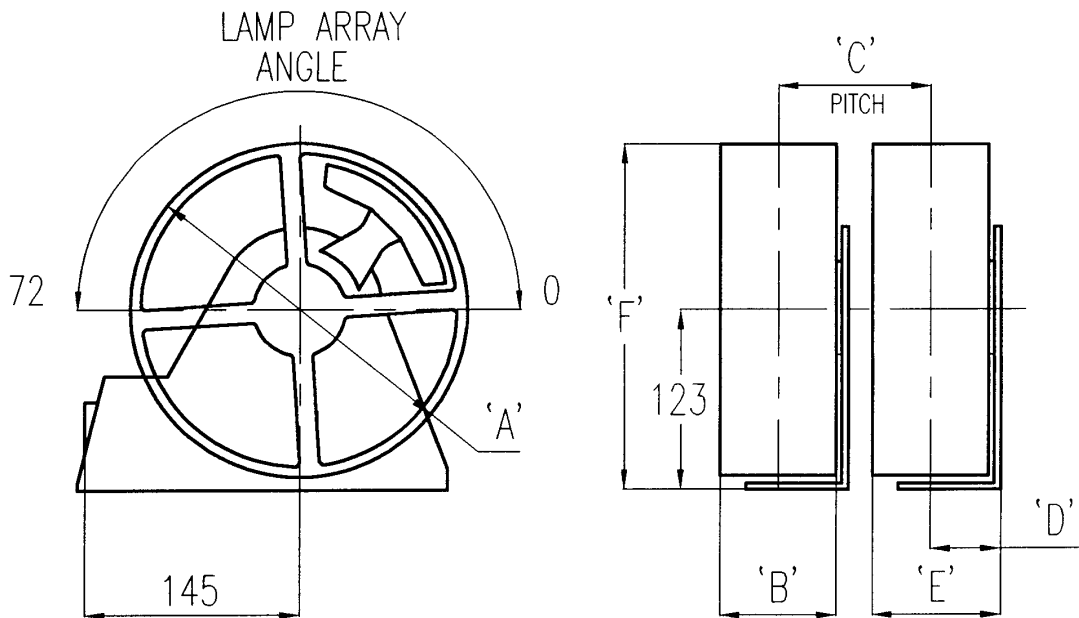
When requesting samples a brief specification is required which identifies the basic options required.

Motor Type	200 step 12vdc			200 step 24vdc		
Reel Drum Width	56mm	66mm		79.5mm	90mm	
Lamp Array Angle	0° to + 180°					
No of Symbols	12	16	20	22	24	25
Are integral diode required with the lamps?						

If you require a sample please fax Starpoint on +44 (0)20 8391 7760 with your required options from the above and intended application. The sample will be sent complete with Technical Information giving applications information and details of how to specify your exact product requirement in the future.

Starpoint 18RM Reel Mechanism Dimensional Information

'A'	'B'	'C'	'D'	'E'	'F'	'G'
206	57	73.5	39.25	70.5	226	12
229.5	66	82.5	43.75	79.5	237.5	16.5
229.5	79.5	96	50.5	93	237.5	23.25
229.5	90	106.5	55.75	103.5	237.5	28.5
231	100	113.5	60.75	110.5	238.25	33.5



FIXING DETAILS