



PYRAMID
TECHNOLOGIES, INC.

www.pyramidacceptors.com



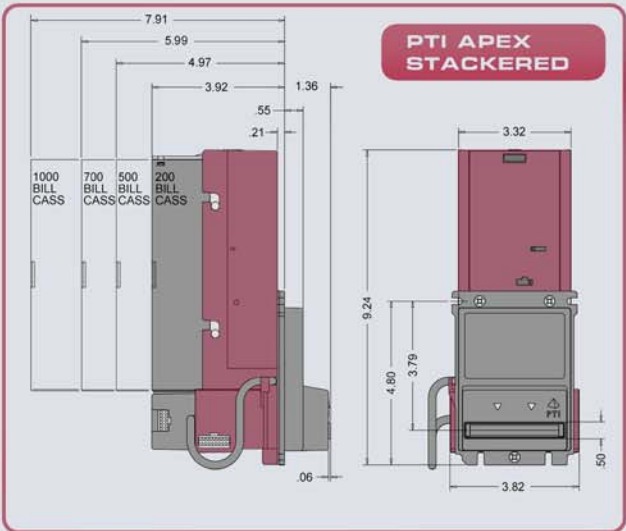
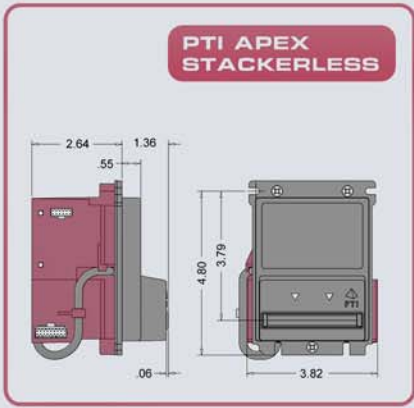
- Simple DIP Switch & PC Configuration
- Dual-stage optical anti-stringing
- Easy to update
- High security against counterfeits
- Simple on-board diagnostics
- Accepts bills up to 72mm wide
- Automatic self-calibration



Apex Stackersless
also available



Pyramid Technologies, Inc.
1718 North Quail Mesa, AZ 85205 USA
Phone: 480-507-0088
E-mail: sales@pyramidacceptors.com



PYRAMID
TECHNOLOGIES, INC.

www.pyramidacceptors.com

MODEL NUMBER SELECTION

TYPE
U - Upstacker
D - Downstacker
S - Stackerless

CASHBOX
N - None (Stackerless)
2 - 200 Bill Cassette
5 - 500 Bill Cassette
7 - 700 Bill Cassette
1 - 1000 Bill Cassette
C - 500 Bill Non-Locking Plastic Cassette
D - Lockable 500 Bill

COUNTRY CODE
ISO 3-character country code
Example: USA for United States

APEX - 7X00 - X X X - XXX

MODEL
7400 - No Mag. Head (\$1 - \$20 for USA)
7600 - With Mag. Head (\$1 - \$100 USA)

POWER SUPPLY / COMMUNICATIONS
1 - 12 VDC / RS232 Optional
3 - 120VAC supply
4 - MDB Option
6 - IGT ID022
9 - 24 VAC

APEX SPECIFICATIONS

- OPERATING VOLTAGE:** 12VDC standard, 120VAC supply optional.
- OPERATING CURRENT:** 180mA idle; 500mA operating; 1.50A stalled.
- OPERATING TEMP.:** 0C to 60C, 90% non-condensing humidity.
- ACCEPTANCE RATE:** Greater than 95% (including second-time insertion of a rejected bill).
- ACCEPTANCE SPEED:** Approx. 20 bills per minute.
- SENSOR ARRAY:** (8) Optical Sensors; (1) Magnetic Head standard on \$50, \$100 version.
- NET WEIGHT:** Stackered: 2.3 lbs / 1.04 kg.
- WARRANTY:** 2 years, parts and labor.