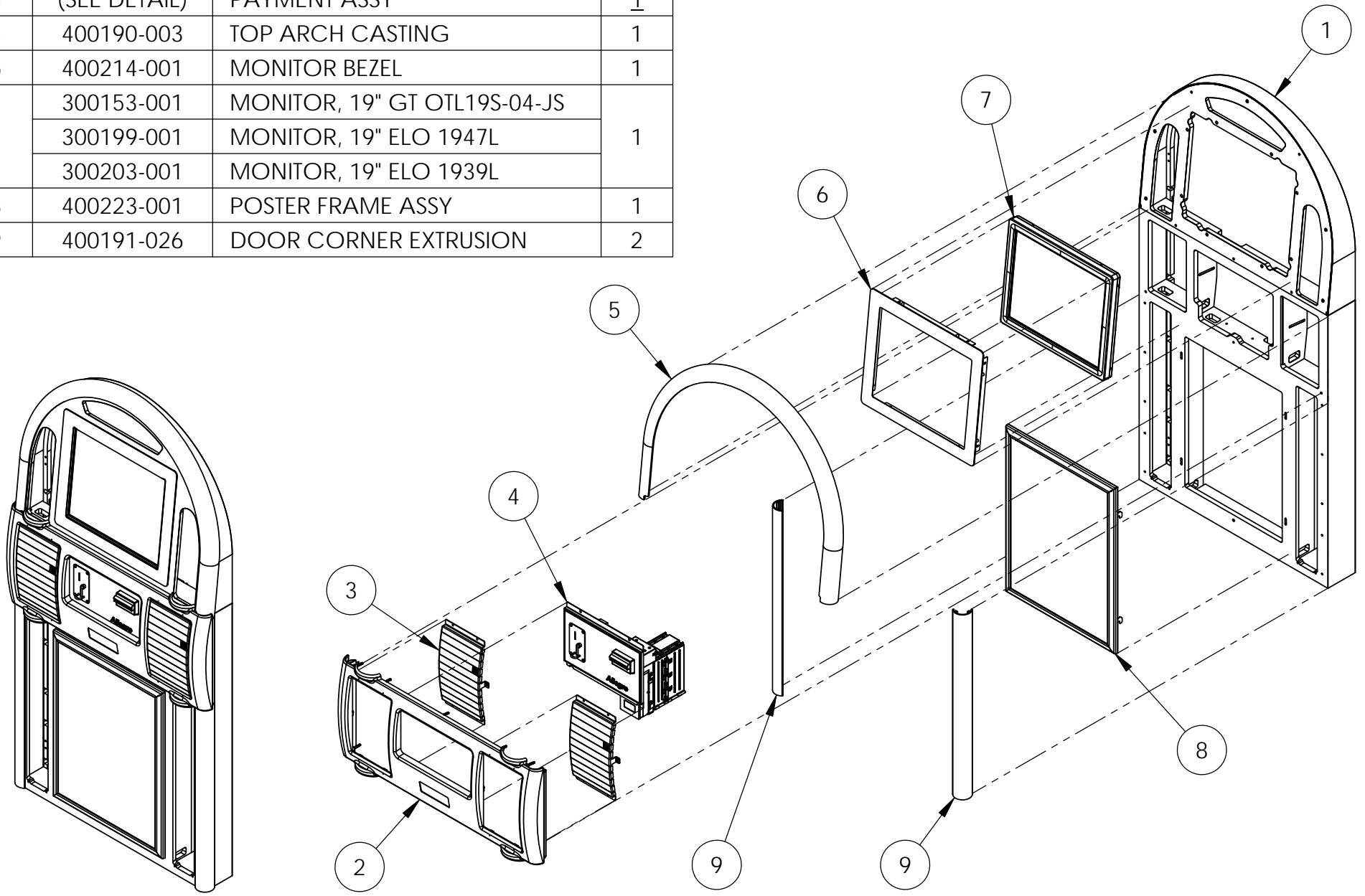
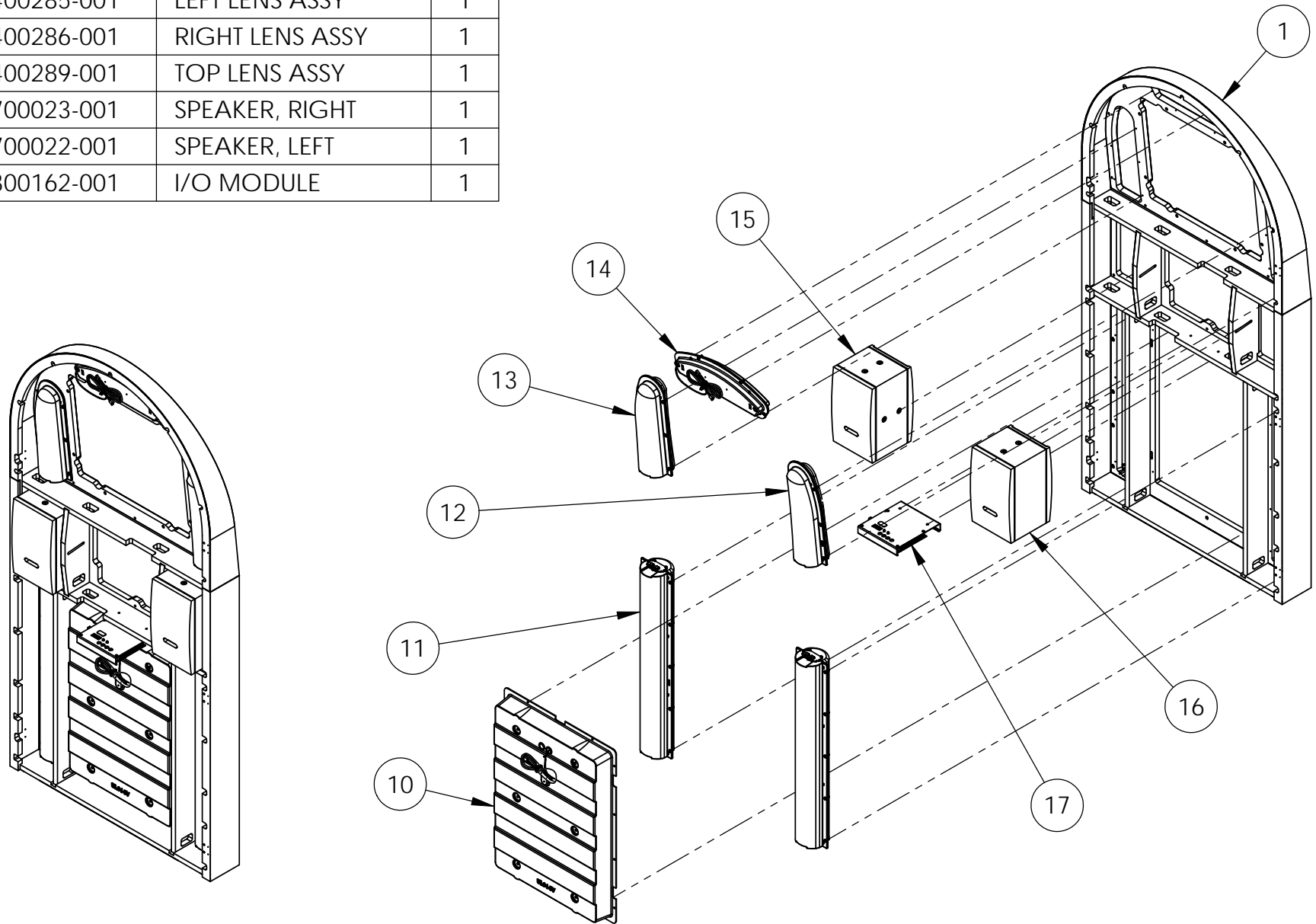


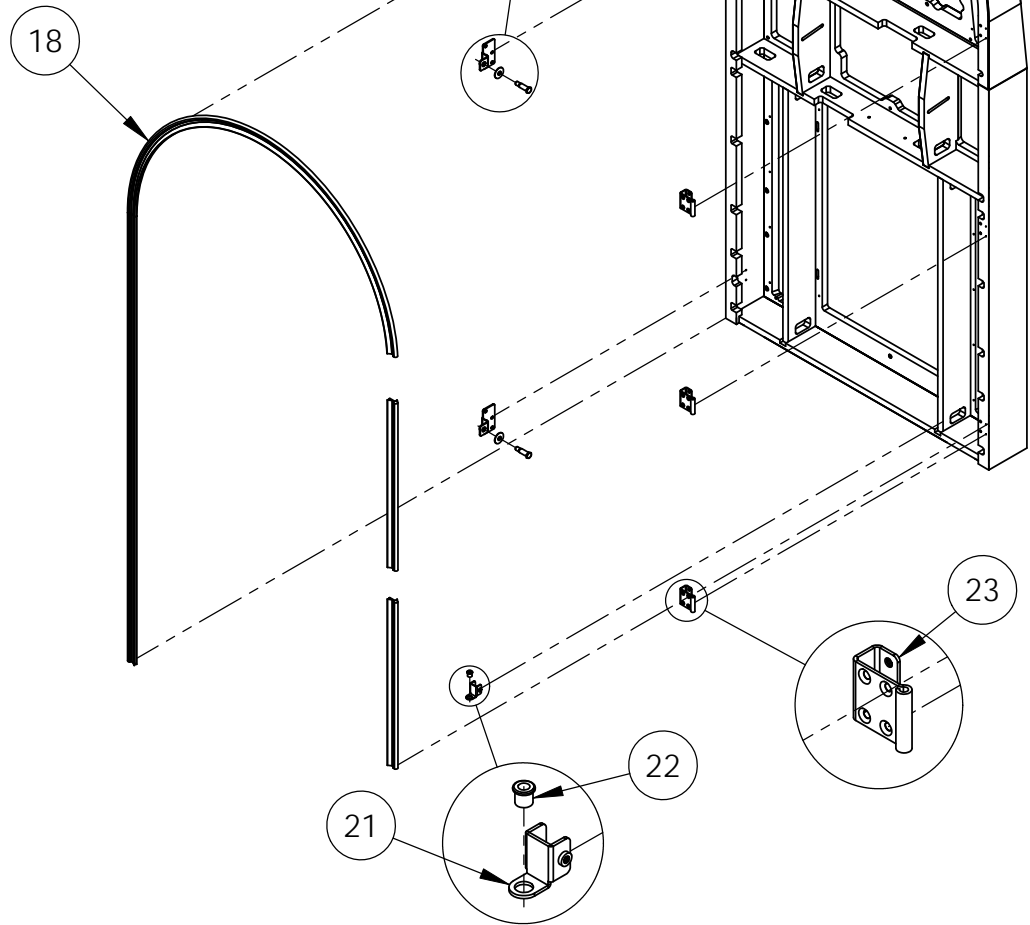
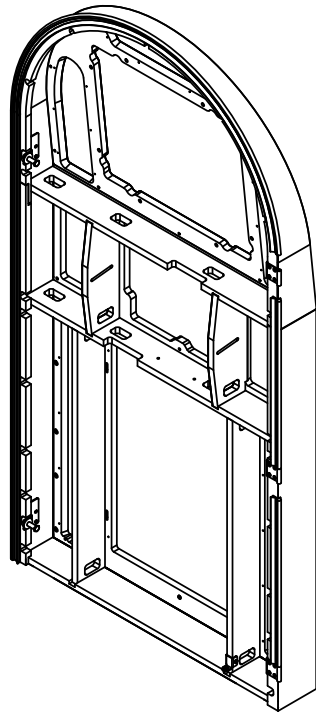
ITEM	PART NUMBER	DESCRIPTION	QTY
1		DOOR	1
2	400201-xxx	PAYMENT CASTING	1
3	400204-xxx	SPEAKER GRILL	2
4	(SEE DETAIL)	PAYMENT ASSY	<u>1</u>
5	400190-003	TOP ARCH CASTING	1
6	400214-001	MONITOR BEZEL	1
7	300153-001	MONITOR, 19" GT OTL19S-04-JS	1
	300199-001	MONITOR, 19" ELO 1947L	
	300203-001	MONITOR, 19" ELO 1939L	
8	400223-001	POSTER FRAME ASSY	1
9	400191-026	DOOR CORNER EXTRUSION	2



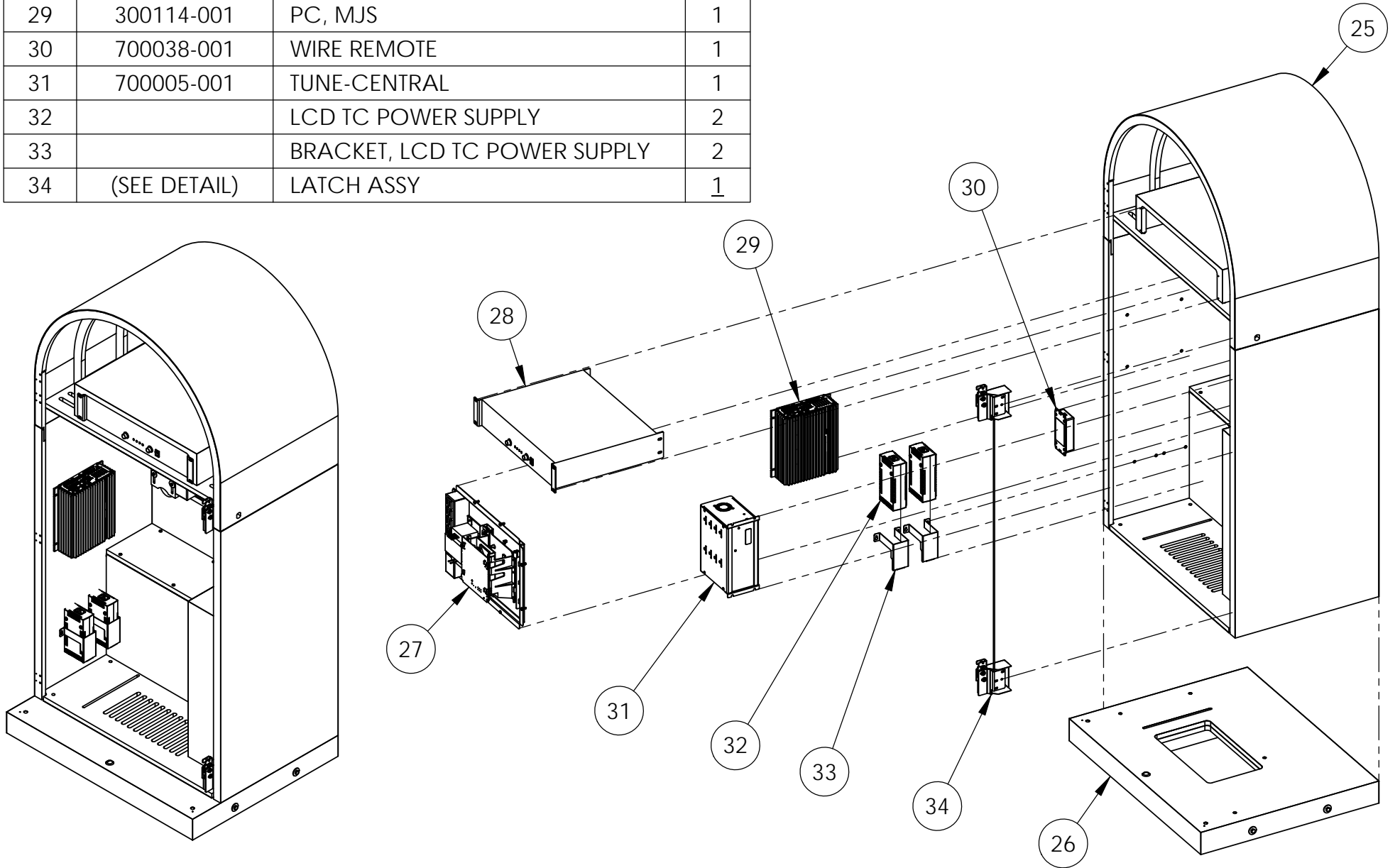
ITEM	PART NUMBER	DESCRIPTION	QTY
1		DOOR	<u>1</u>
10	400334-001	POSTER LIGHT SHOW	1
11	400287-001	BOTTOM LENS ASSY	2
12	400285-001	LEFT LENS ASSY	1
13	400286-001	RIGHT LENS ASSY	1
14	400289-001	TOP LENS ASSY	1
15	700023-001	SPEAKER, RIGHT	1
16	700022-001	SPEAKER, LEFT	1
17	300162-001	I/O MODULE	1



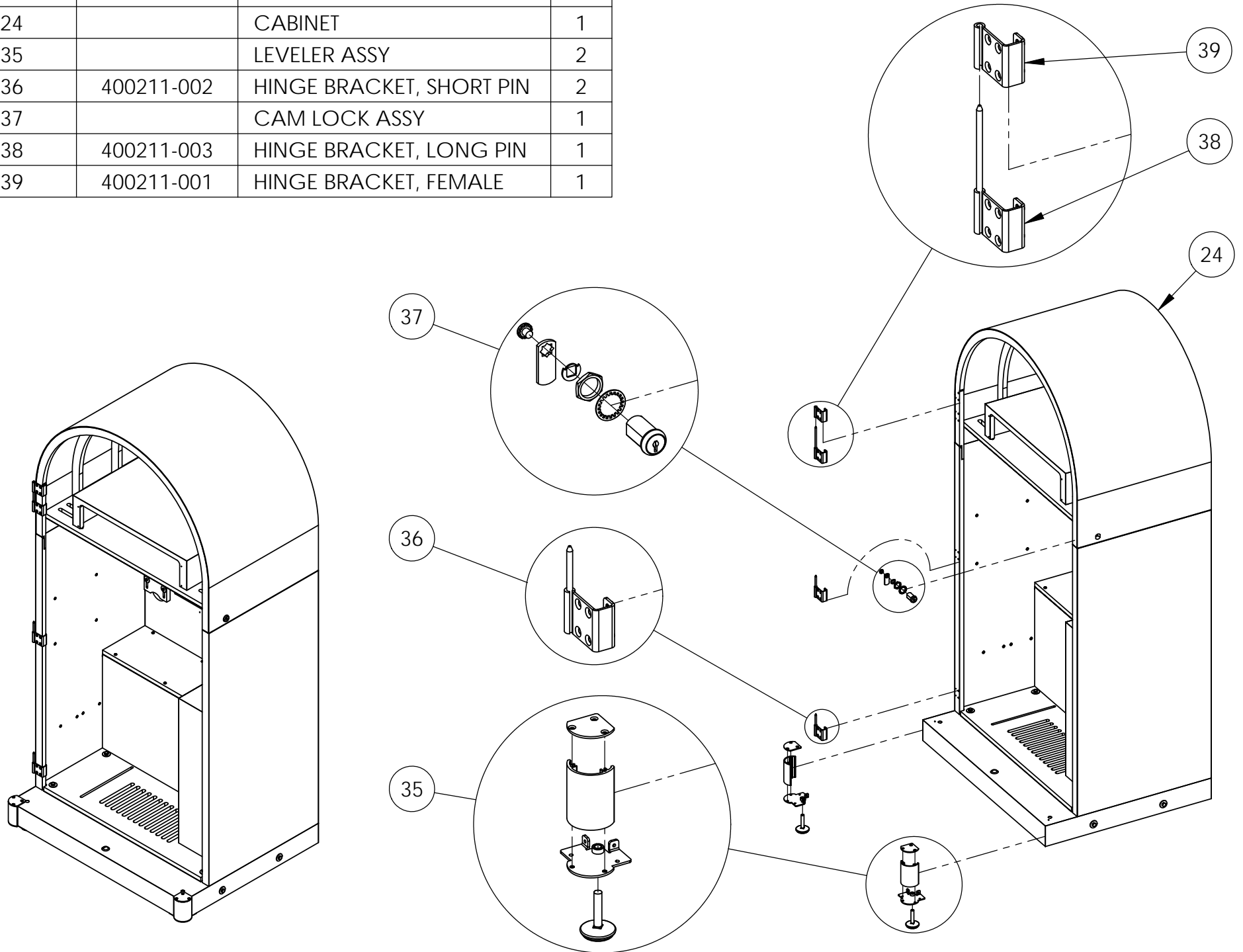
ITEM	PART NUMBER	DESCRIPTION	QTY
1		DOOR	<u>1</u>
18		DOOR EDGE TRIM	1
19	400203-001	LOCK STRIKER SUPPORT	2
20		LOCK STRIKER	2
21	400218-001	RETAINING ARM BRACKET	1
22		BUSHING 258599	1
23	400211-001	HINGE BRACKET, FEMALE	3



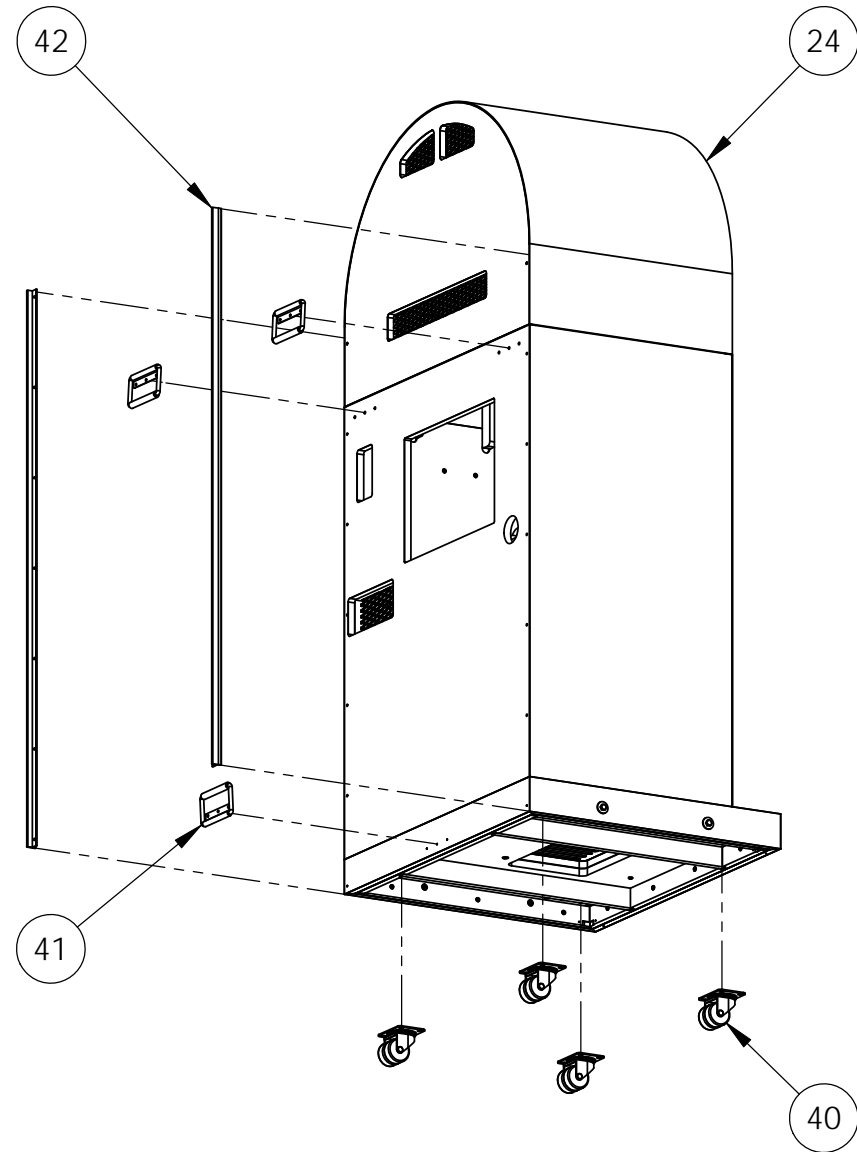
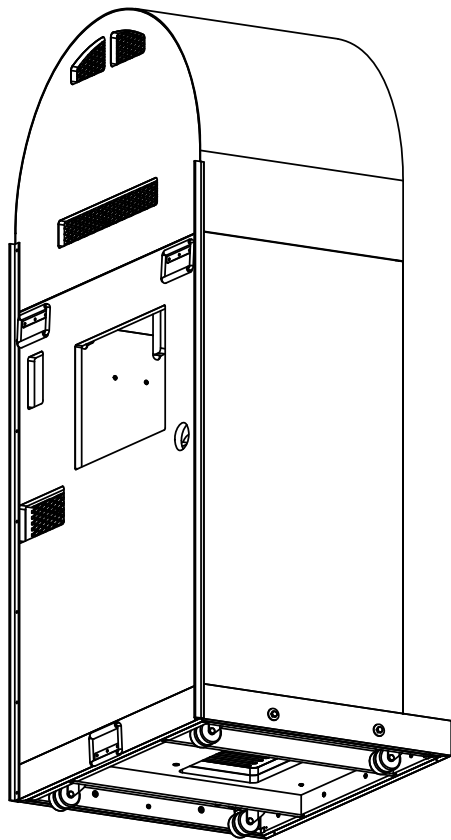
ITEM	PART NUMBER	DESCRIPTION	QTY
25		CABINET, ENCLOSURE	<u>1</u>
26		CABINET, BASE	<u>1</u>
27		AMP & POWER DISTRIBUTION PANEL	1
28	700013-001	Crown Amp XLS202	1
29	300114-001	PC, MJS	1
30	700038-001	WIRE REMOTE	1
31	700005-001	TUNE-CENTRAL	1
32		LCD TC POWER SUPPLY	2
33		BRACKET, LCD TC POWER SUPPLY	2
34	(SEE DETAIL)	LATCH ASSY	<u>1</u>



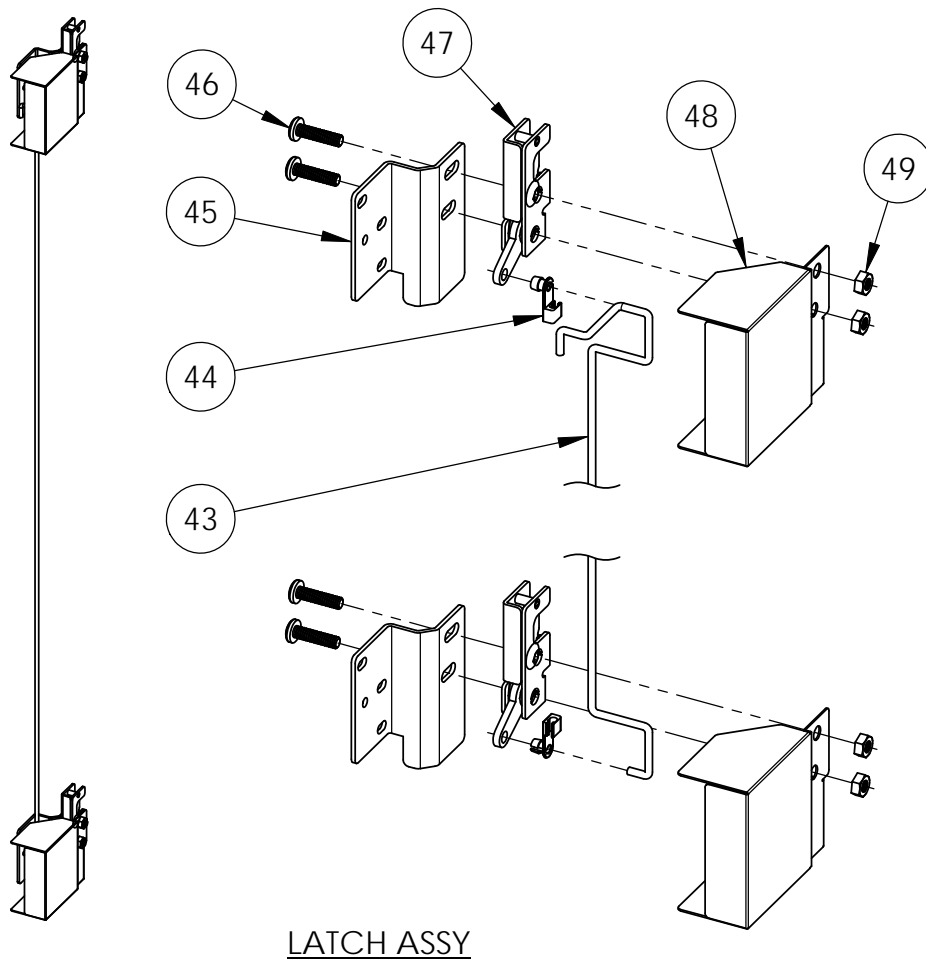
ITEM	PART NUMBER	DESCRIPTION	QTY
24		CABINET	1
35		LEVELER ASSY	2
36	400211-002	HINGE BRACKET, SHORT PIN	2
37		CAM LOCK ASSY	1
38	400211-003	HINGE BRACKET, LONG PIN	1
39	400211-001	HINGE BRACKET, FEMALE	1



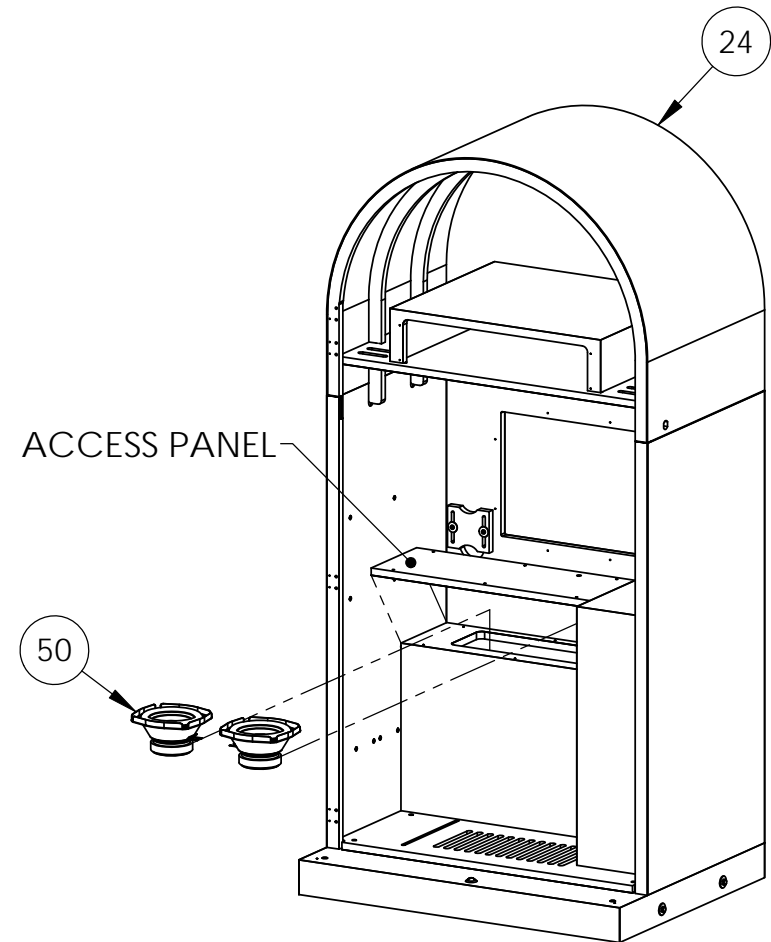
ITEM	PART NUMBER	DESCRIPTION	QTY
24		CABINET	<u>1</u>
40		CASTER, DUAL WHEEL	4
41		HANDLE	3
42		REAR CORNER TRIM	2



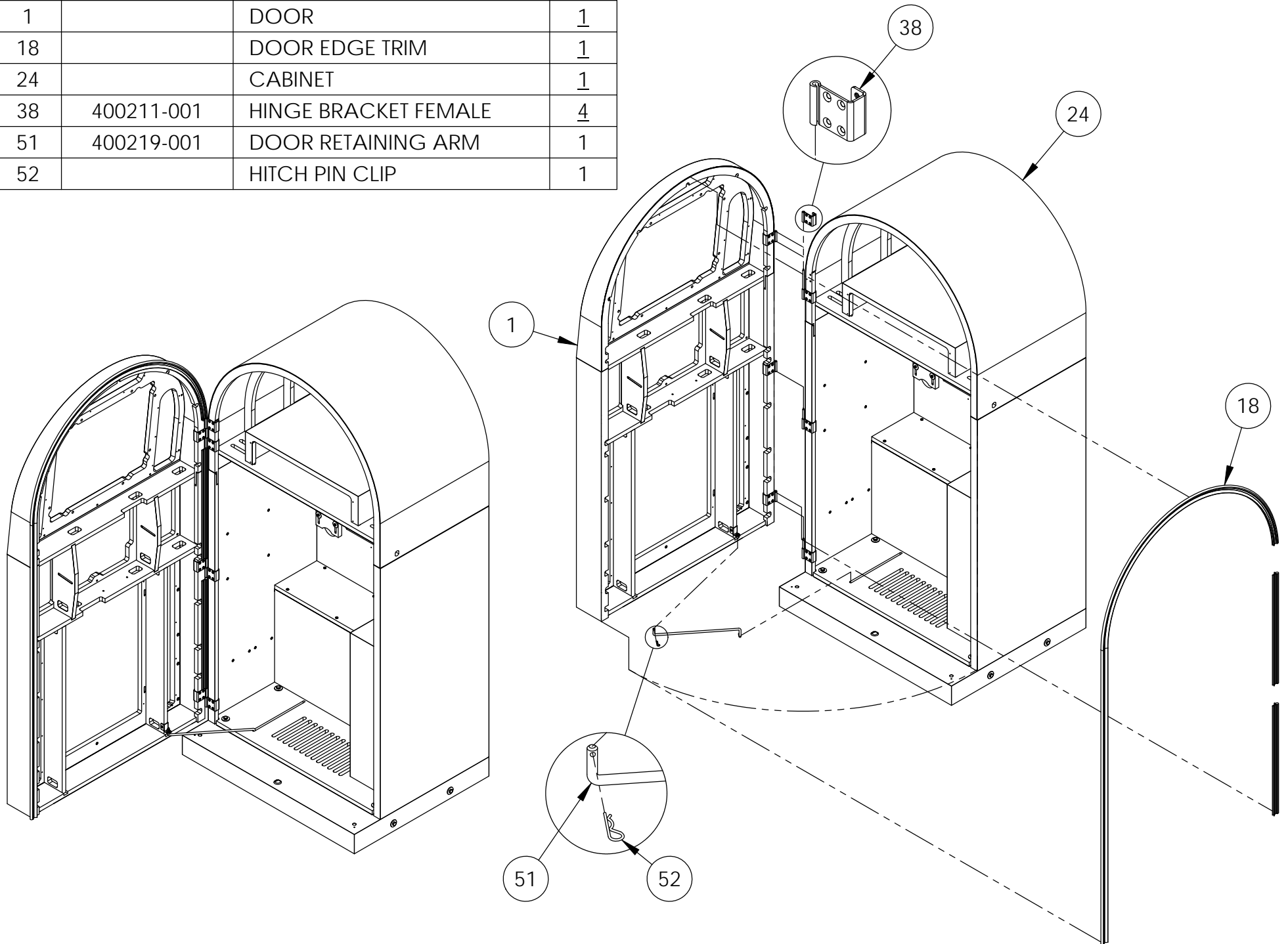
ITEM	PART NUMBER	DESCRIPTION	QTY
43	400217-XXX	LATCH ACTUATOR ROD	1
44		ROD CLIP	2
45	400202	LATCH SUPPORT BRACKET	2
46		SCREW, 1/4-20 x 1"	4
47		LATCH MECHANISM	2
48	400220	LATCH COVER	2
49		NUT, 1/4-20	4



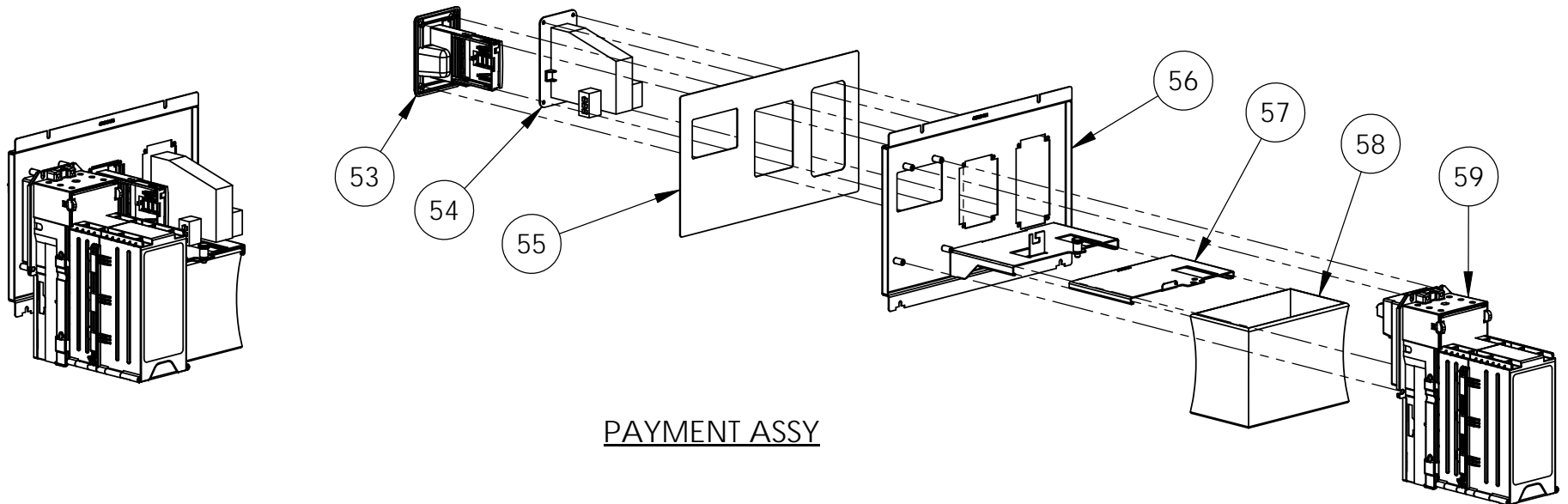
ITEM	PART NUMBER	DESCRIPTION	QTY
24		CABINET	<u>1</u>
50		SPEAKER, SUB WOOFER	2



ITEM	PART NUMBER	DESCRIPTION	QTY
1		DOOR	1
18		DOOR EDGE TRIM	1
24		CABINET	1
38	400211-001	HINGE BRACKET FEMALE	4
51	400219-001	DOOR RETAINING ARM	1
52		HITCH PIN CLIP	1



ITEM	PART NUMBER	DESCRIPTION	CONFIGURATION QUANTITY				
			US NO CARD	US W/CARD	CAN NO CARD	CAN W/CARD	MEX NO CARD
53	400361-001	CARD READER	-	1	-	1	-
54		COIN ACCEPTOR, US	1	1	-	-	-
		COIN ACCEPTOR, CAN	-	-	1	1	-
		COIN ACCEPTOR, MEX	-	-	-	-	1
55	900179-001	ALLEGRO PAYMENT LEXAN, US, NO CARD READER	1	-	-	-	-
	900215-001	ALLEGRO PAYMENT LEXAN, US, WITH CARD READER	-	1	-	-	-
	900180-001	ALLEGRO PAYMENT LEXAN, CAN, NO CARD READER	-	-	1	-	-
	900222-001	ALLEGRO PAYMENT LEXAN, CAN, WITH CARD READER	-	-	-	1	-
	900181-001	ALLEGRO PAYMENT LEXAN, MEX, NO CARD READER	-	-	-	-	1
56	400241-001	PAYMENT BRACKET, US, NO CARD READER	1	-	-	-	-
	400241-004	PAYMENT BRACKET, US, WITH CARD READER	-	1	-	-	-
	400241-003	PAYMENT BRACKET, CAN, NO CARD READER	-	-	1	-	-
	400241-005	PAYMENT BRACKET, CAN, WITH CARD READER	-	-	-	1	-
	400241-002	PAYMENT BRACKET, MEX, NO CARD READER	-	-	-	-	1
57	400030-001	COIN BAG HOLDER	1	1	1	1	1
58	400031-001	COIN BAG	1	1	1	1	1
59	400296-003	BILL ACCEPTOR, US, W/ 1000 STACKER	1	1	-	-	-
		BILL ACCEPTOR, CAN, W/ 1000 STACKER	-	-	1	1	-



PAYMENT ASSY