

## DUALPRO & SOLOPRO

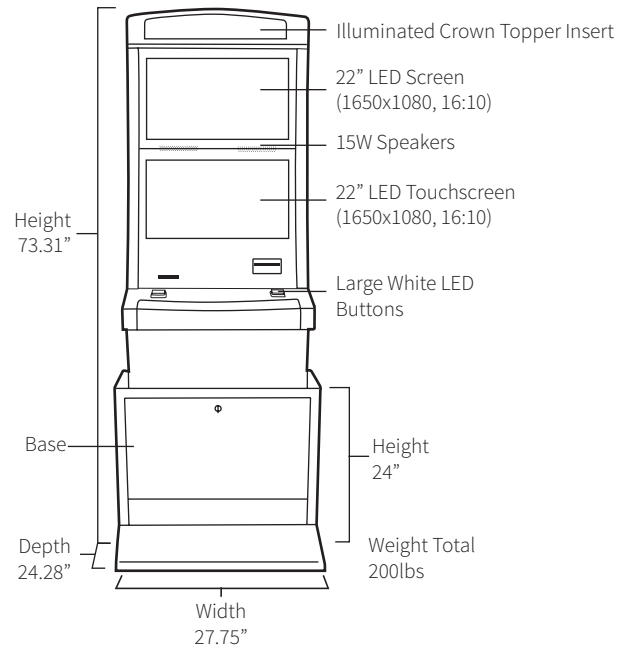
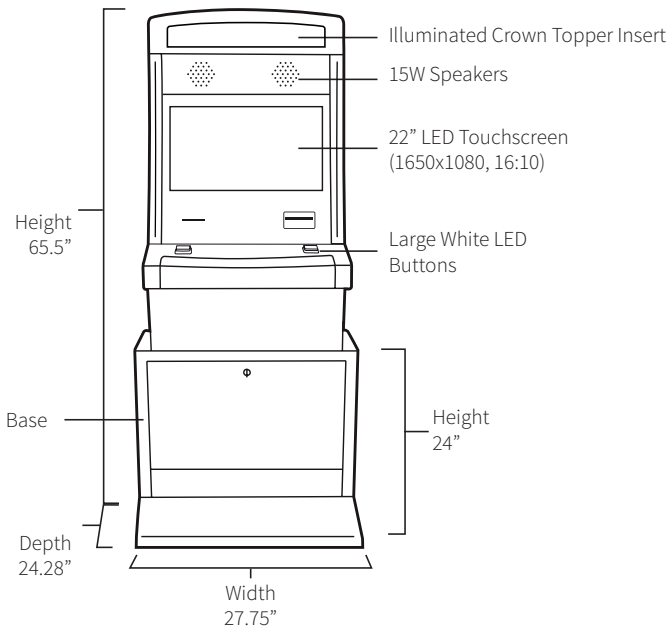
### Customizable Cabinets

The DualPro and SoloPro platform are the perfect start for your next game launch. Simply plug in your game board and get started using our pre-fabricated sturdy, metal cabinets equipped with powerful 15W speakers and 22 inch LED LCD displays.

**Don't delay the development of your next game, these cabinets are available now!**



# Technical Schematics



Unit of measure: inches

**\* 12 Month Warranty On Parts And Labor**

## Technical Specifications

Cabinet Metal	16 Gauge G30 Galvanized Steel
Color	Powder Coat Black Wrinkle
Top Monitor	LCD 22" Open Frame LED VGA/DVI (16:10 or 16:9) Fully Supports 1920x1080 (Full HD) DualPro Only
Main Monitor	LCD 22" Open Frame LED VGA/DVI (16:10 or 16:9) Fully Supports 1920x1080 (Full HD) - With Optera Touchscreen 3M controller
Power Supply	400W ATX, UL, RoHS, FCC Compliant DualPro 200W ATX, UL, RoHS, FCC Compliant SoloPro
Power Distribution Unit	AC Line filter and fuse, power on/off switch (6) NEMA AC Outlets, All components UL compliant
Speakers	3" 4 Ohm, Full range, 15W, RoHS compliant
Interlock Switch	UL94V0 Compliant
Thumb Lock	Nickel Plated/Zinc Alloy RoHS Compliant
Logic Box	Installed with Grommet, Meters (2)
Also Includes	Complete Wire Harness 72 Pin Edge Connector, Refurbished Cashflow Validator, Large Square Buttons (Play, Ticket), Blue Side Trim LEDs, Power Cable/Cord, VGA Splitter*. *VGA Splitter for DualPro only

Products sold by Happ Controls, Inc. are intended for legal use only. By placing/accepting an order for this item customer understands and affirms that cabinets are being purchased and will be used for legal amusement purposes only unless purchaser is authorized by regulative authorities to use otherwise. Check with your local gaming and regulatory agencies, or retain independent legal counsel, for clarification.