

CRUIS'N EXOTICATM

SECTION FOUR

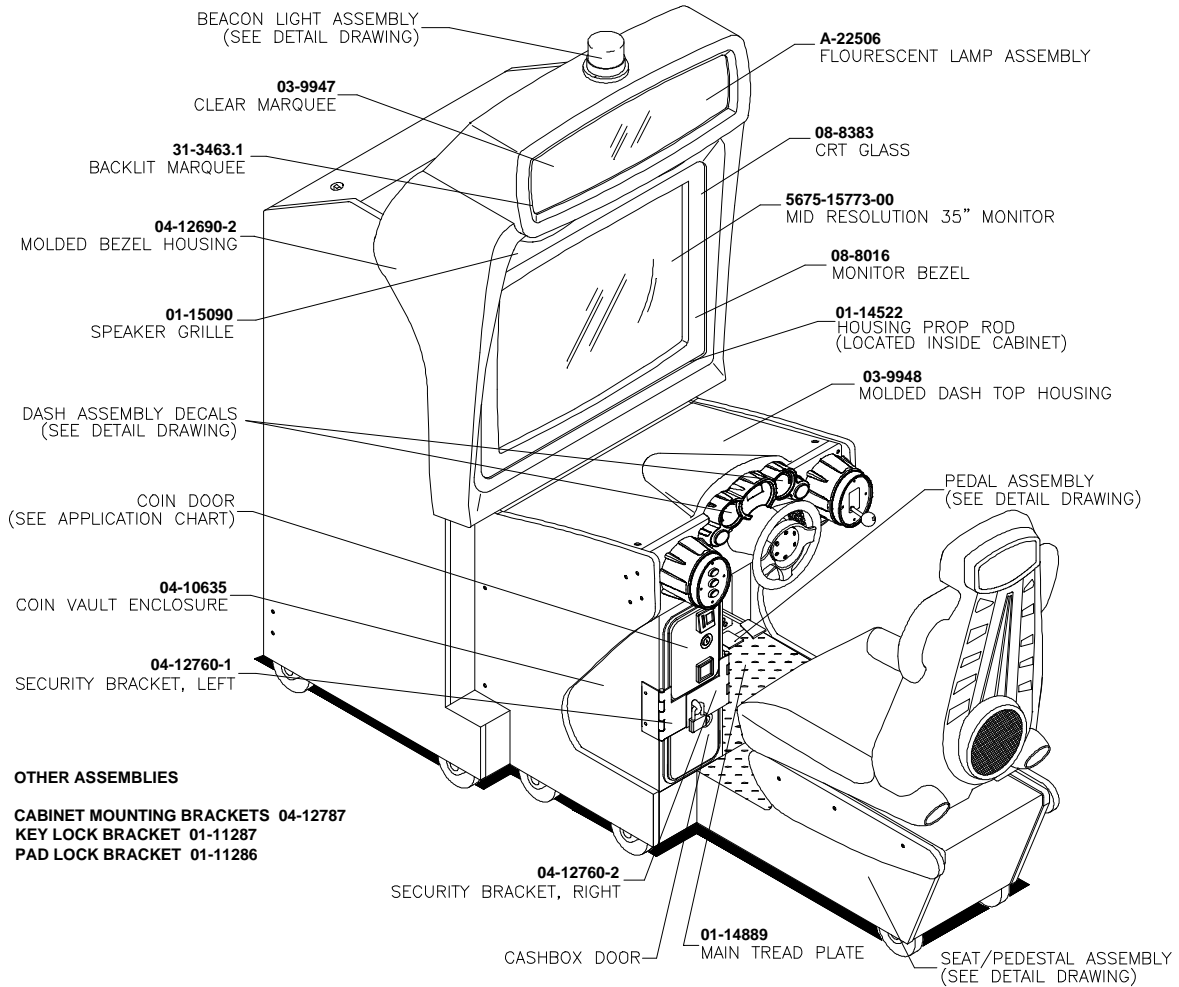
Parts

WARNING

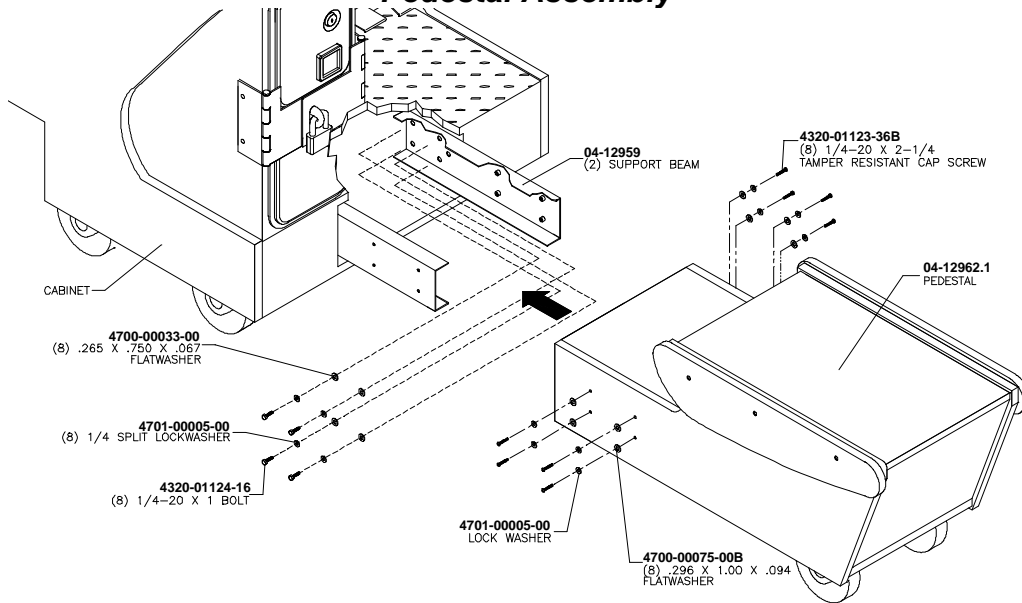
USE OF NON-MIDWAY PARTS OR CIRCUIT MODIFICATIONS MAY CAUSE SERIOUS INJURY OR EQUIPMENT DAMAGE! USE ONLY MIDWAY AUTHORIZED PARTS.

- For safety and reliability, substitute parts and modifications are not recommended.
- Substitute parts or modifications may void EMC directive or FCC type acceptance.

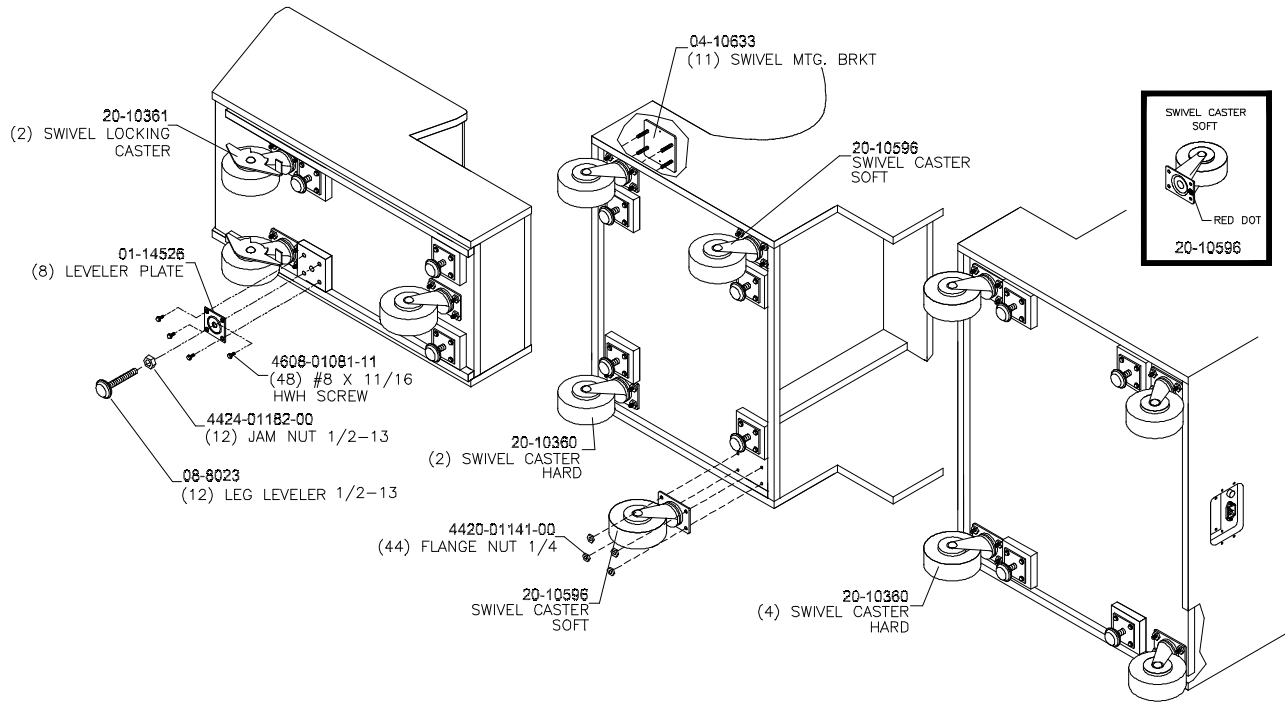
Cabinet Front View



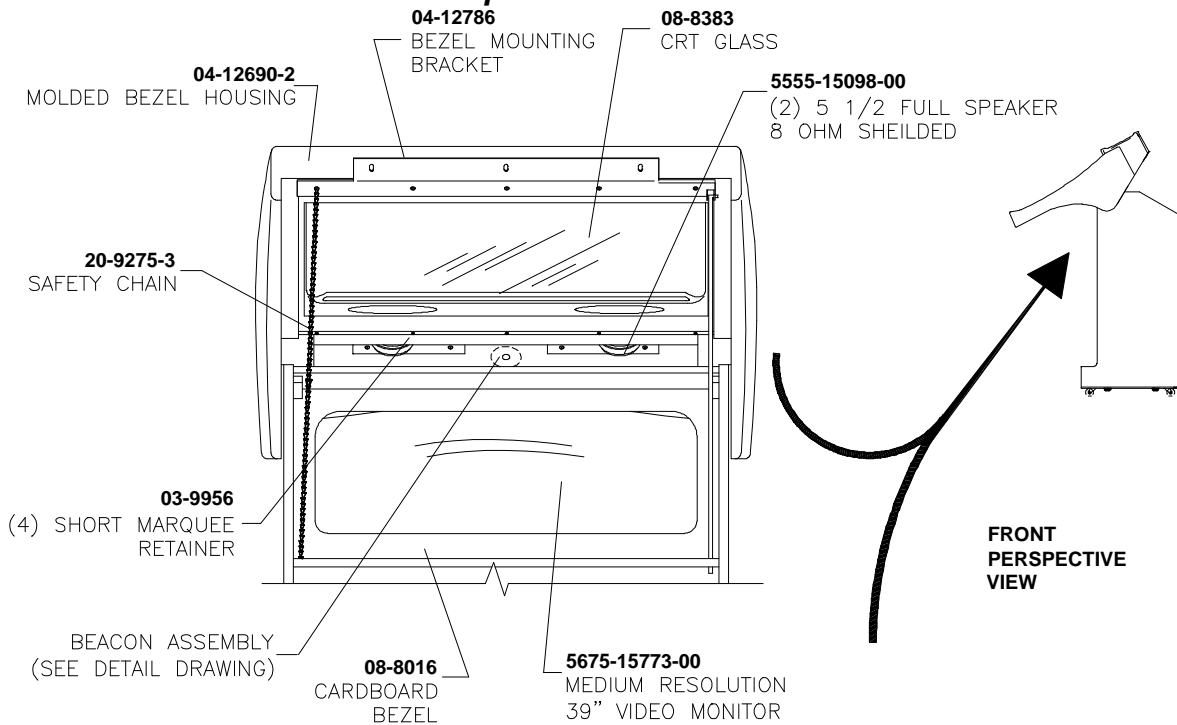
Pedestal Assembly



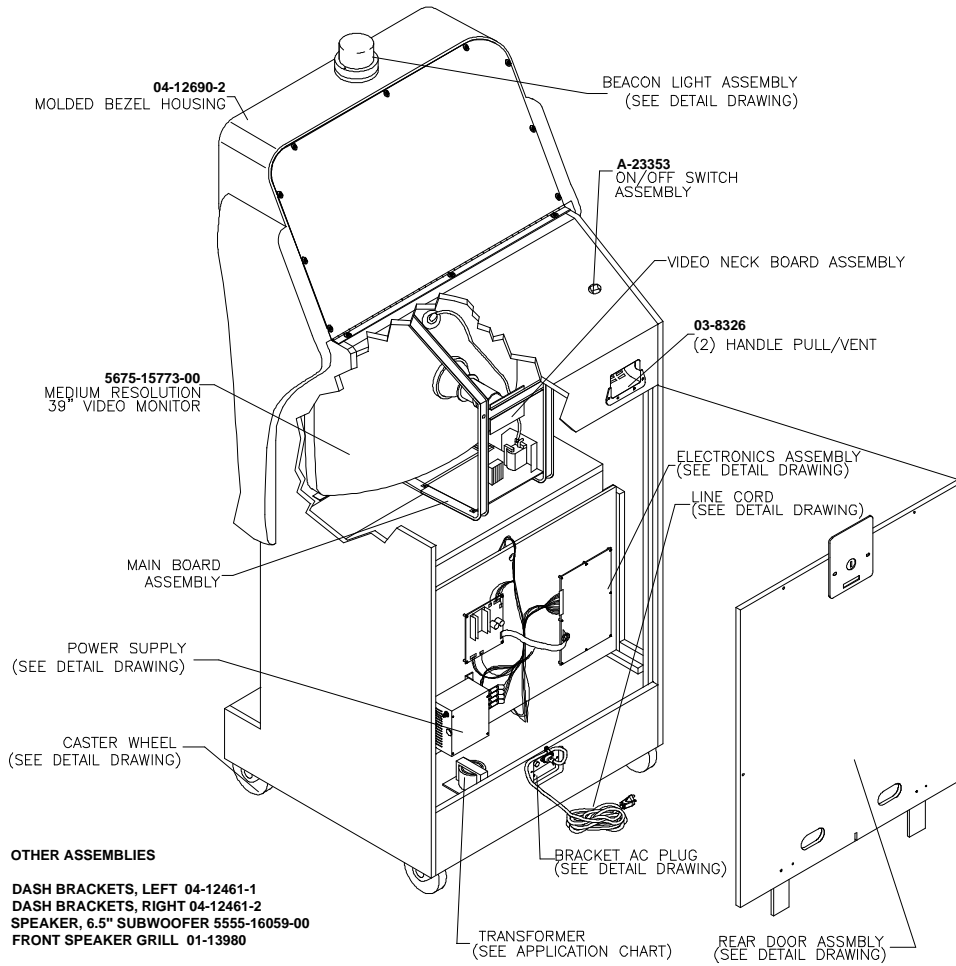
Caster & Leveler Assemblies



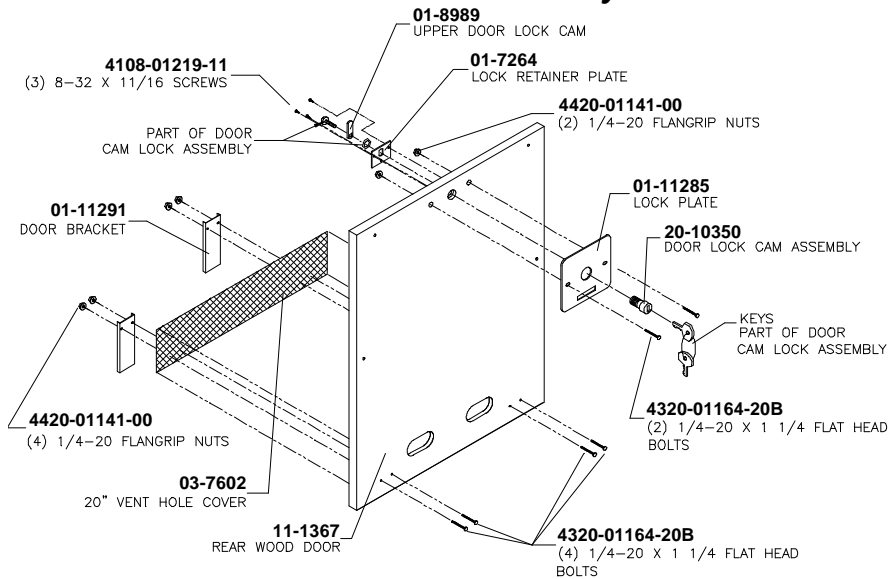
Marquee Interior View



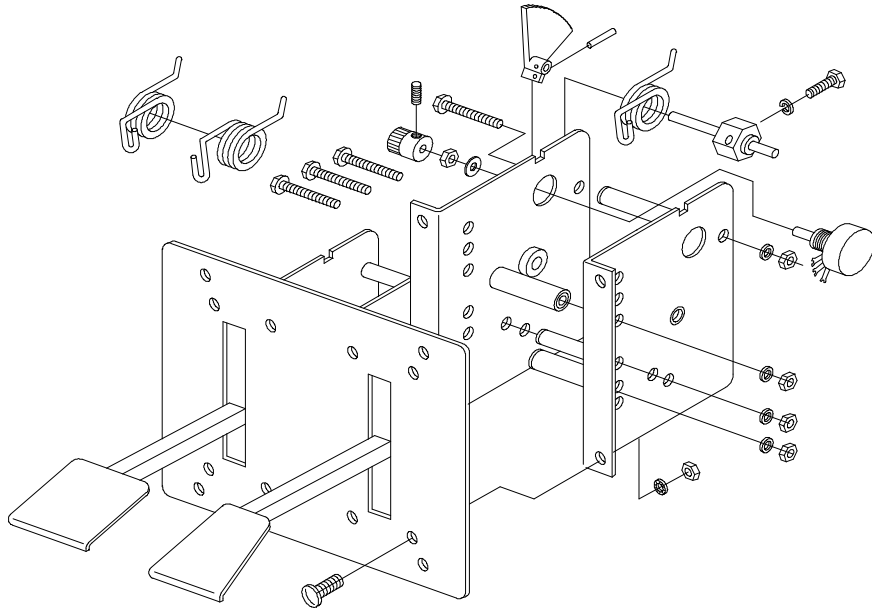
Cabinet Rear View



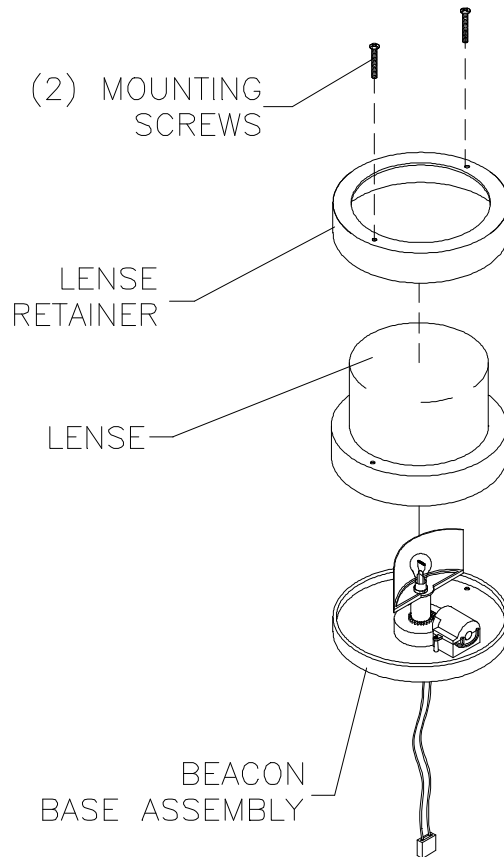
Rear Door Assembly



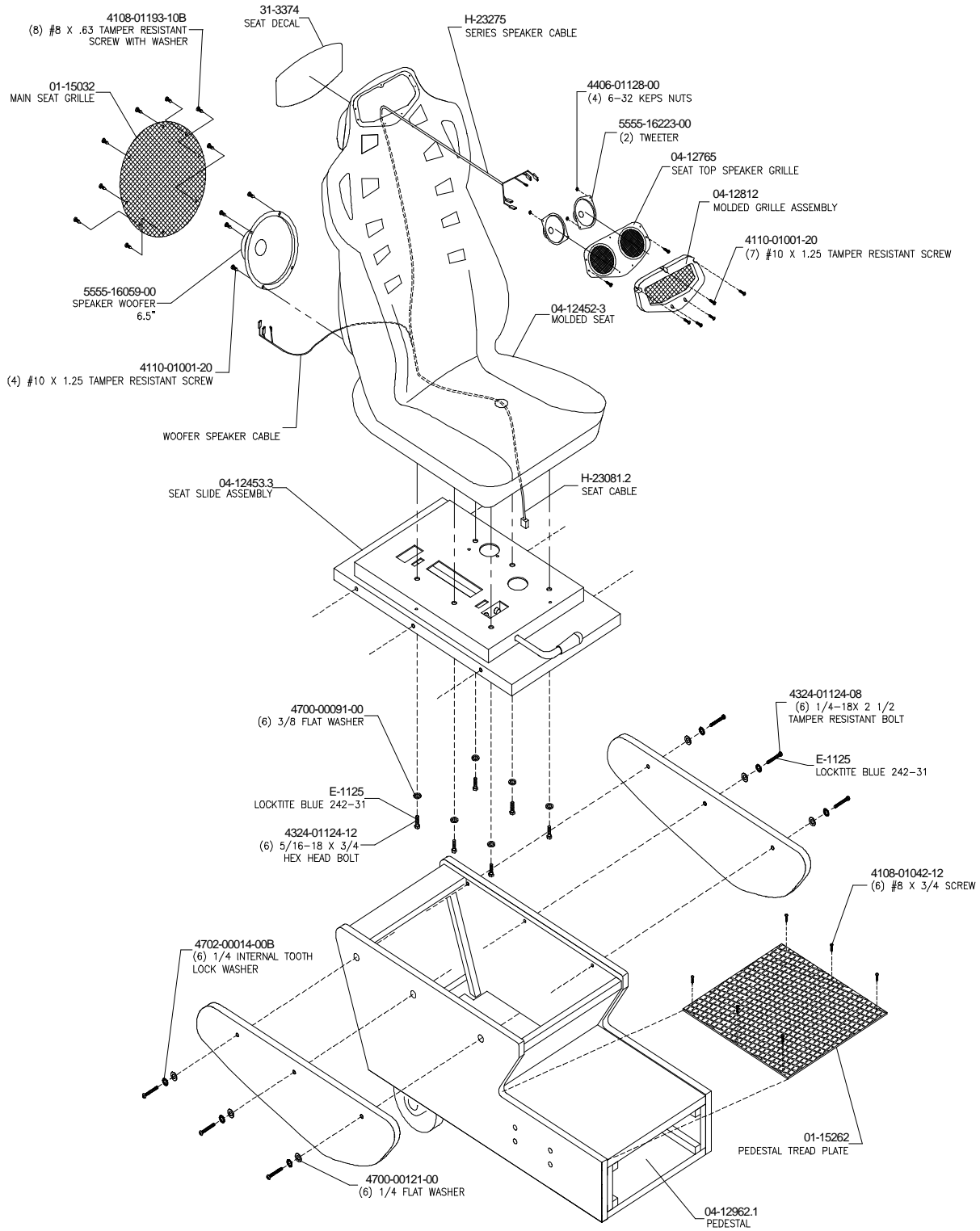
Pedal Assembly 20-10135



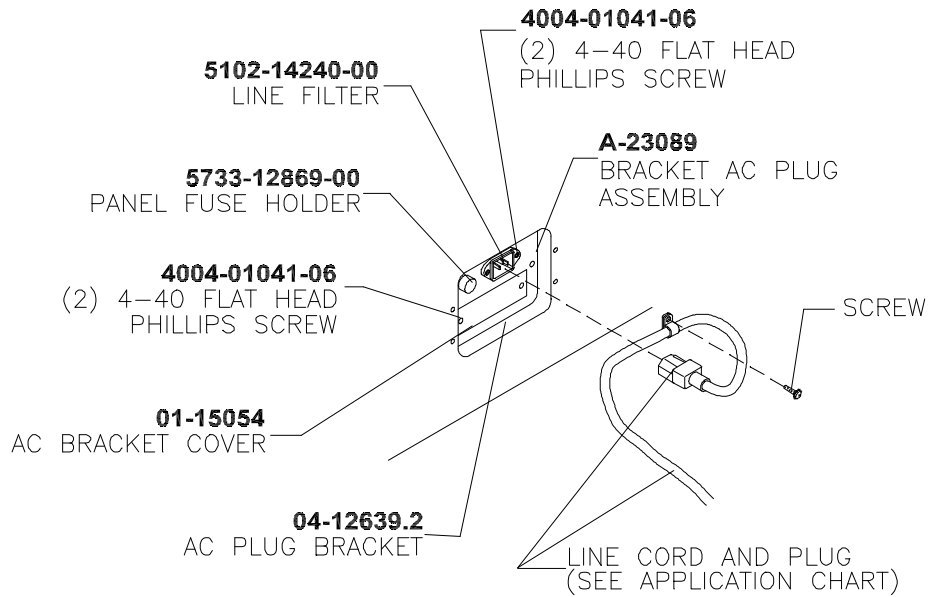
Beacon Light Assembly 20-10546



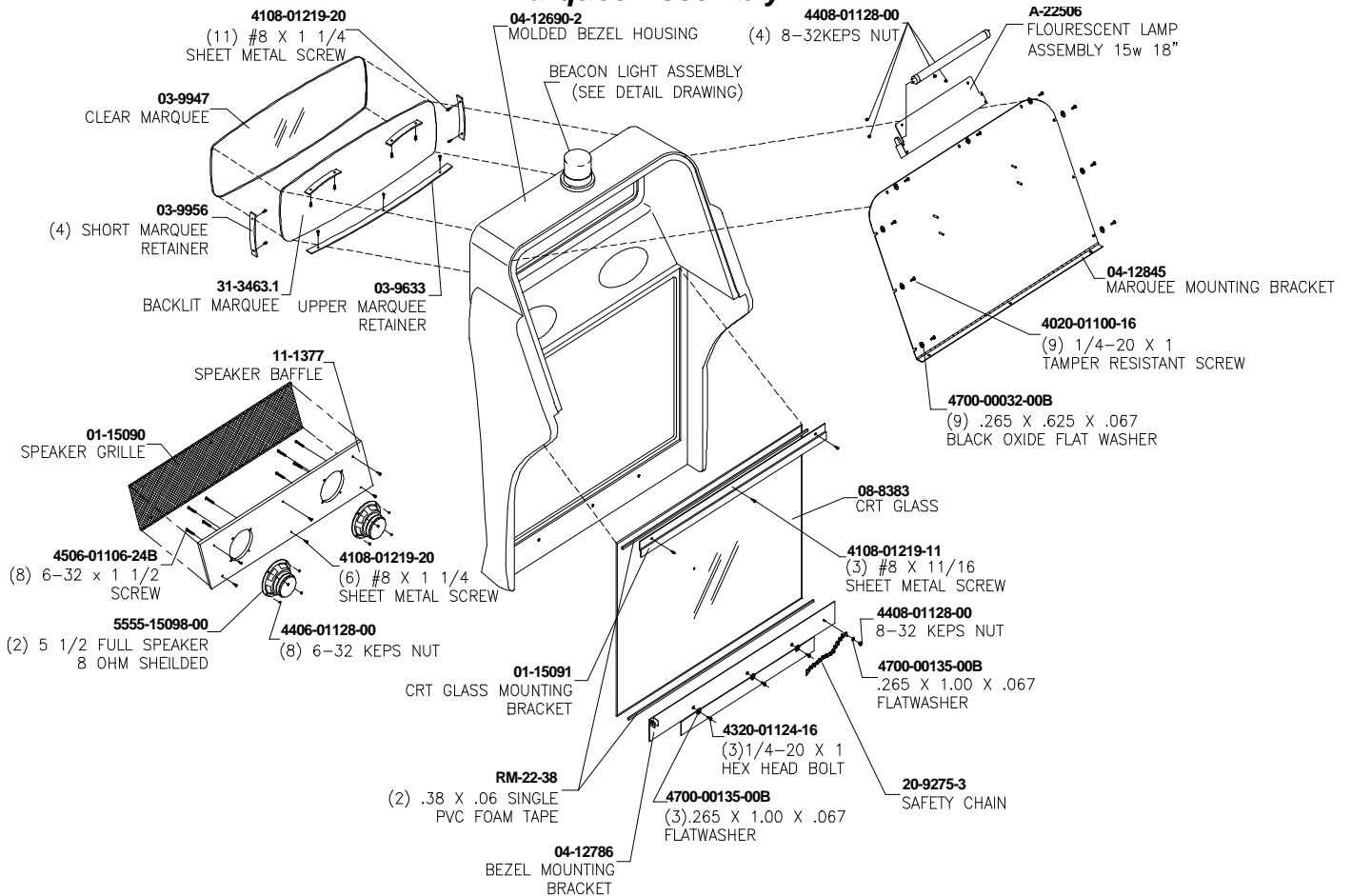
Seat Pedestal Assembly



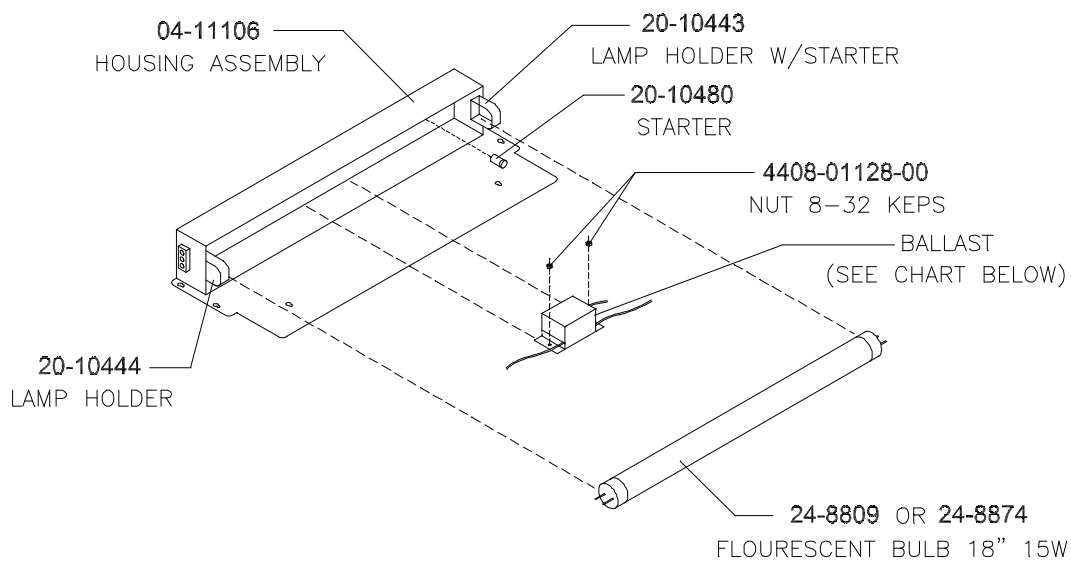
AC Power Assemblies



Marquee Assembly

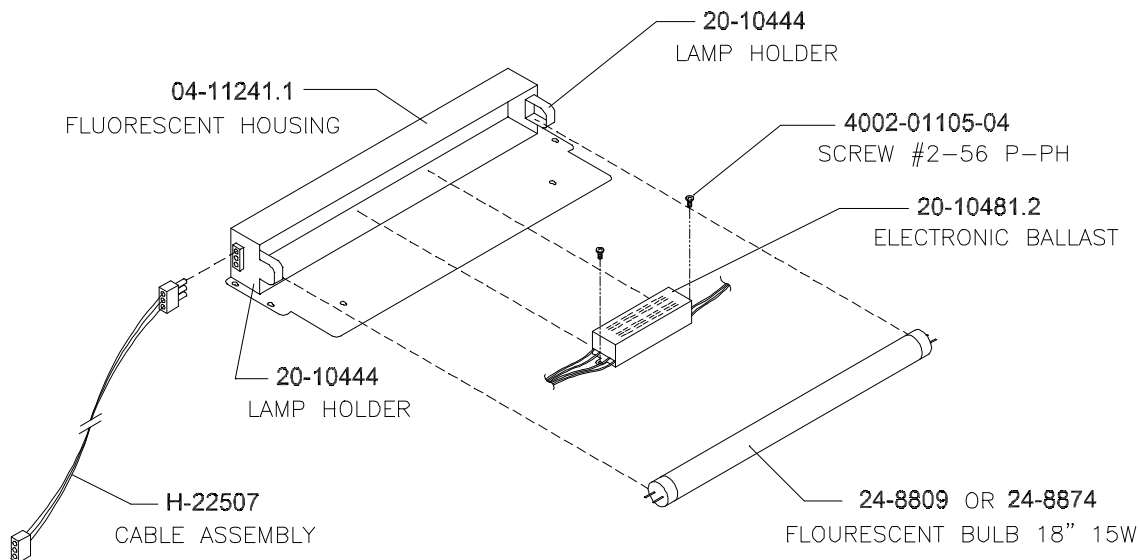


Lamp Assembly A-22506

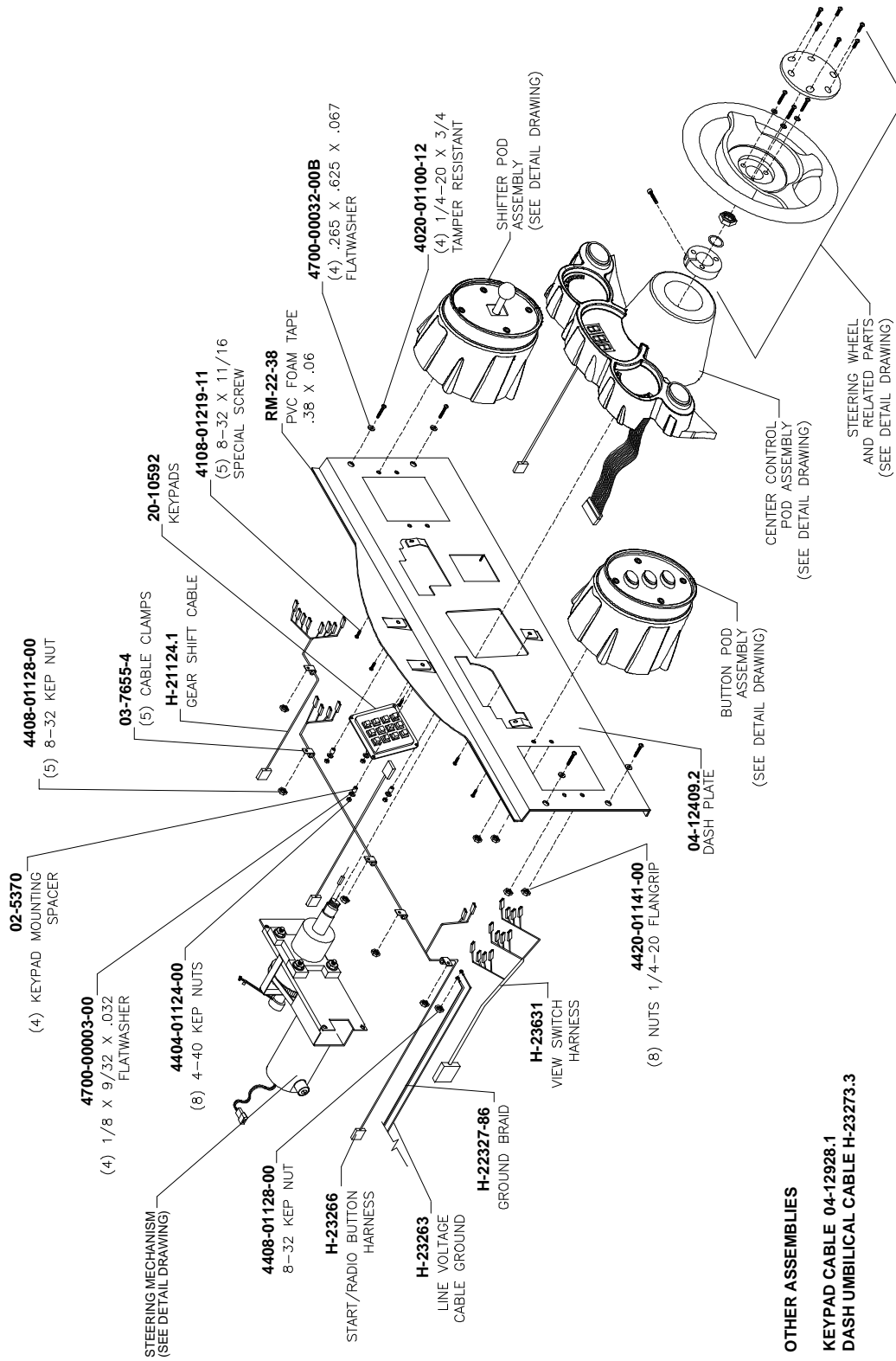


CONVENTIONAL LAMP BALLASTS:

20-10263	100VOLT 50/60 Hz
20-8749-8	120VOLT 60Hz
20-10220	220VOLT 50Hz
20-10384	220VOLT 60Hz
20-10379	230VOLT 50Hz
20-10380	240VOLT 50Hz
20-10236	240VOLT 60Hz



Dashboard Assembly

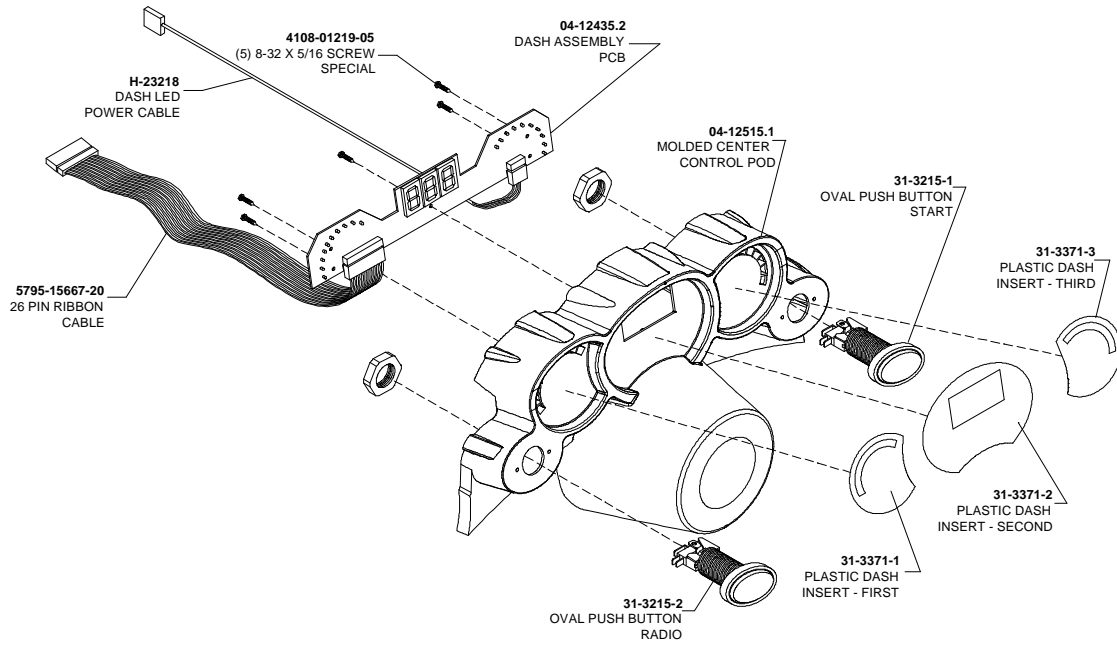


OTHER ASSEMBLIES

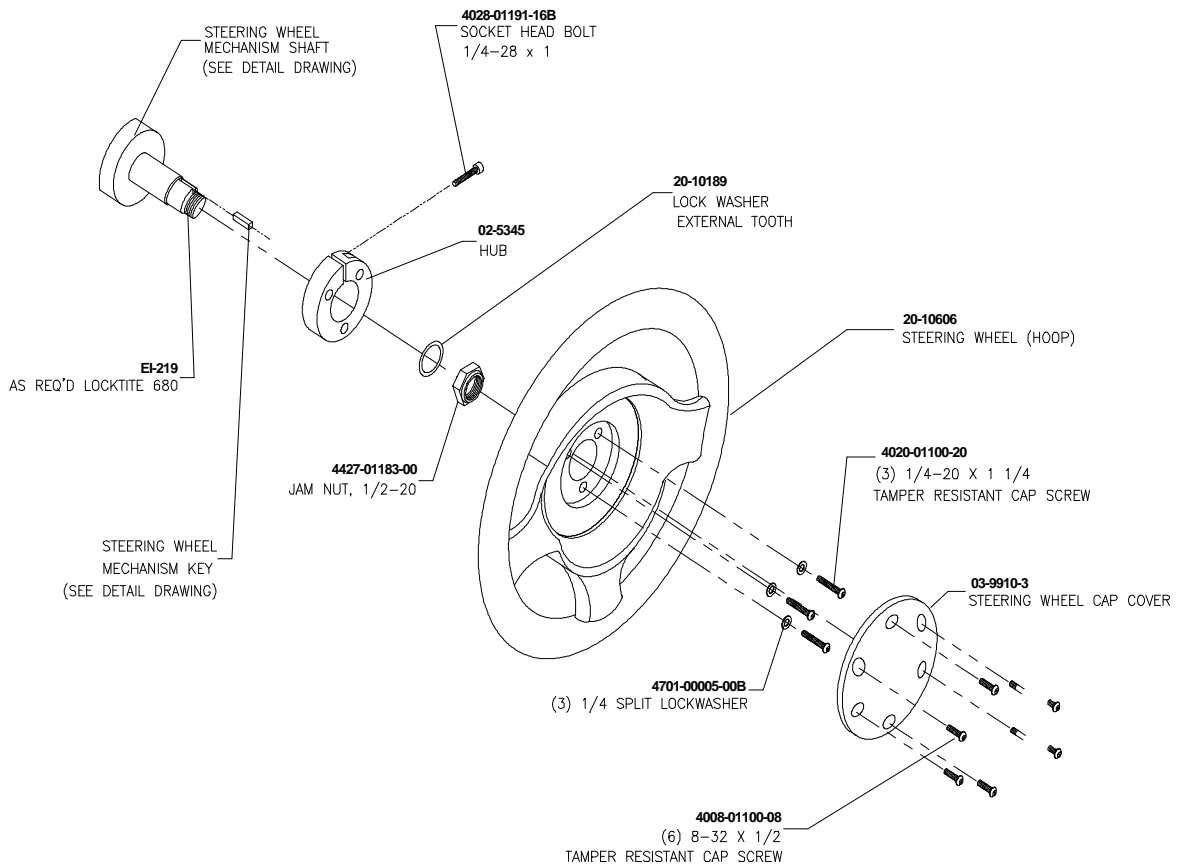
KEYPAD CABLE 04-12928.1

DASH UMBILICAL CABLE H-23273.3

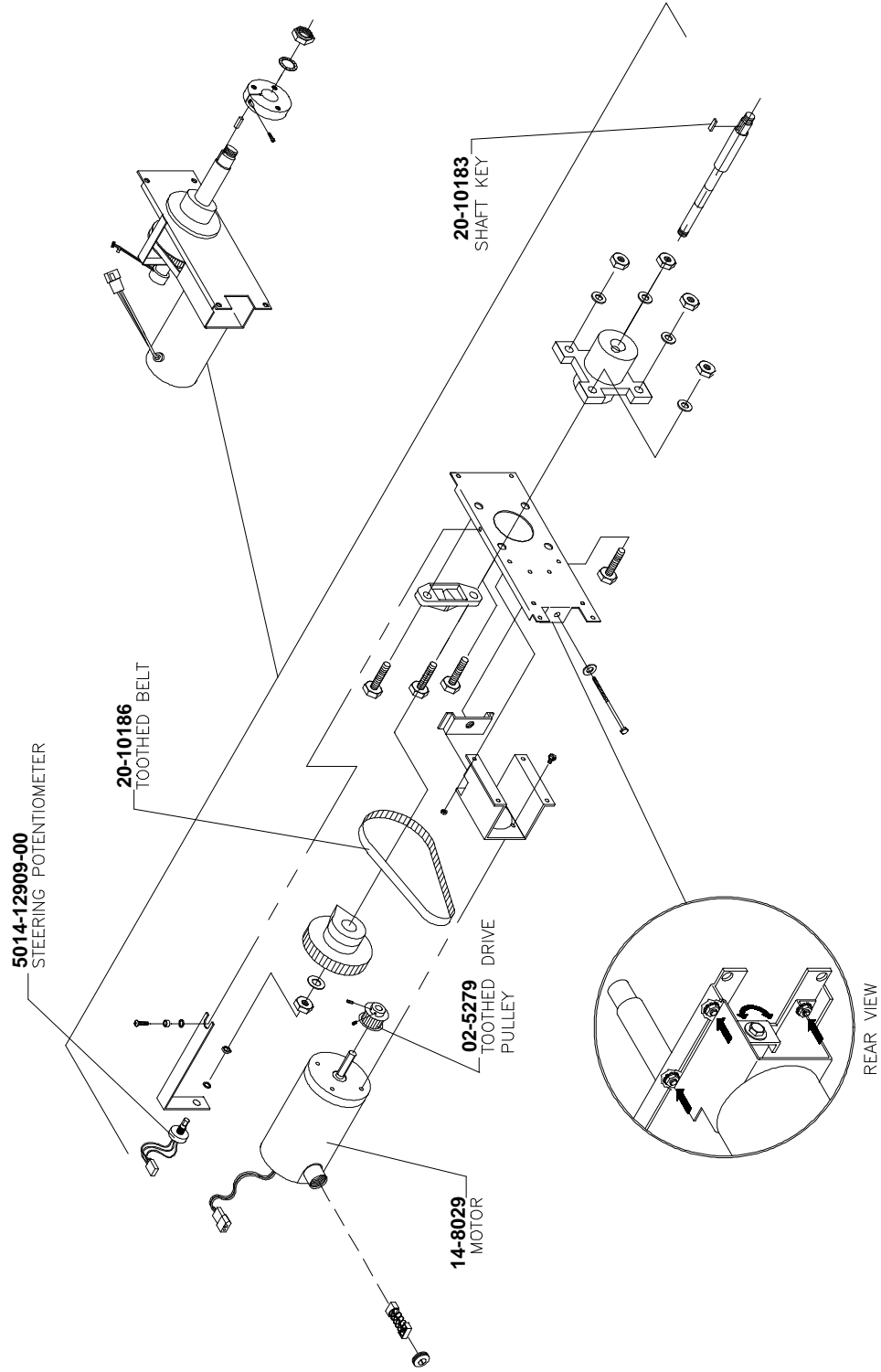
Center Control Pod Assembly



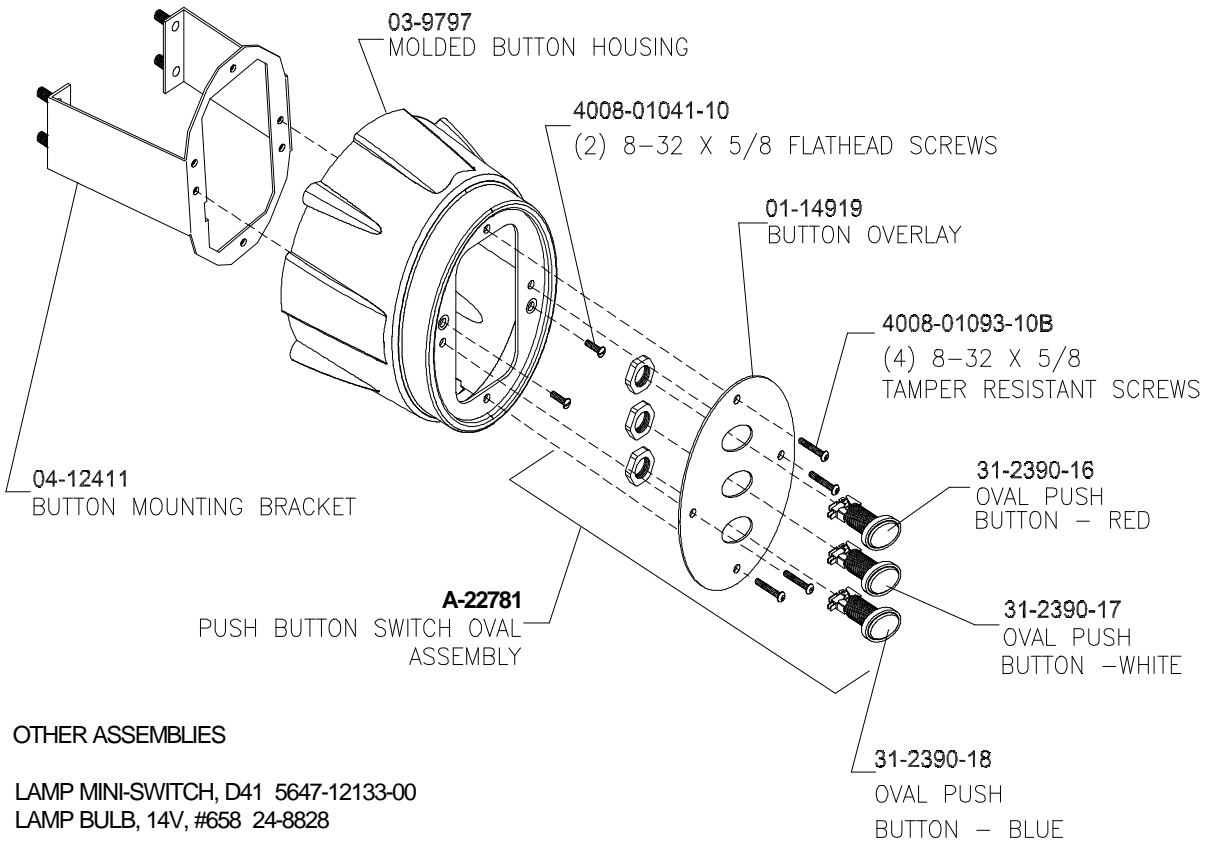
Steering Wheel



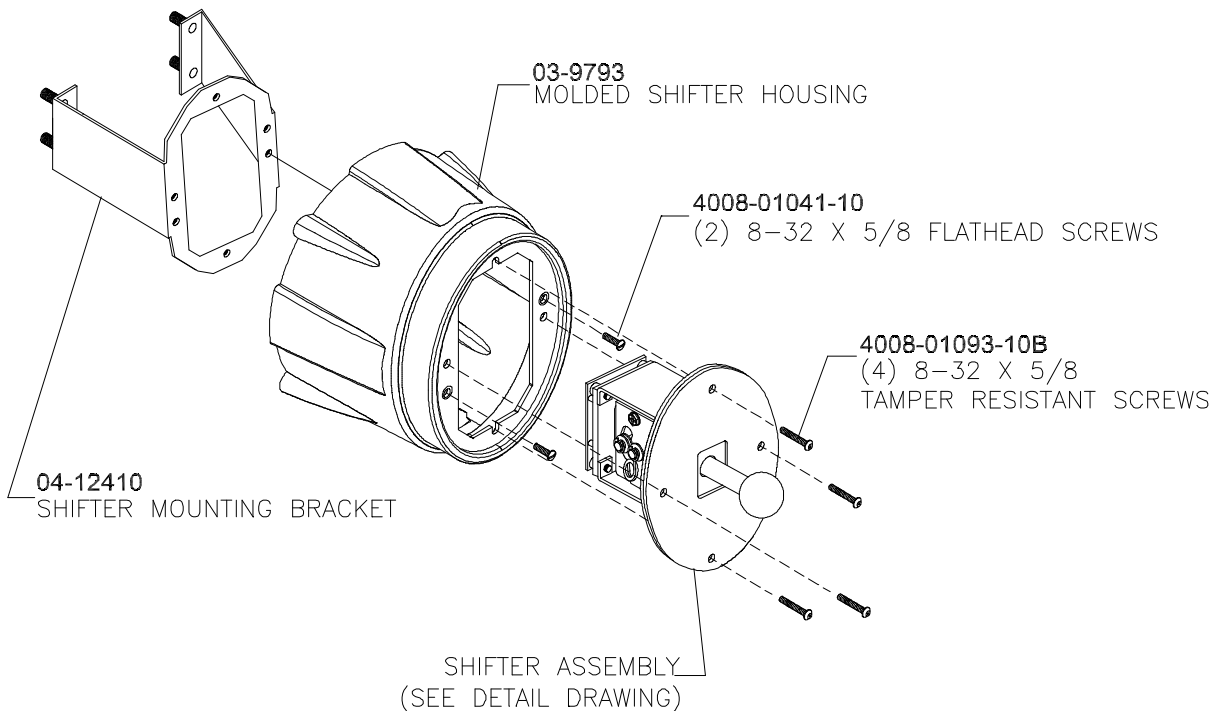
Steering Mechanism 20-10627



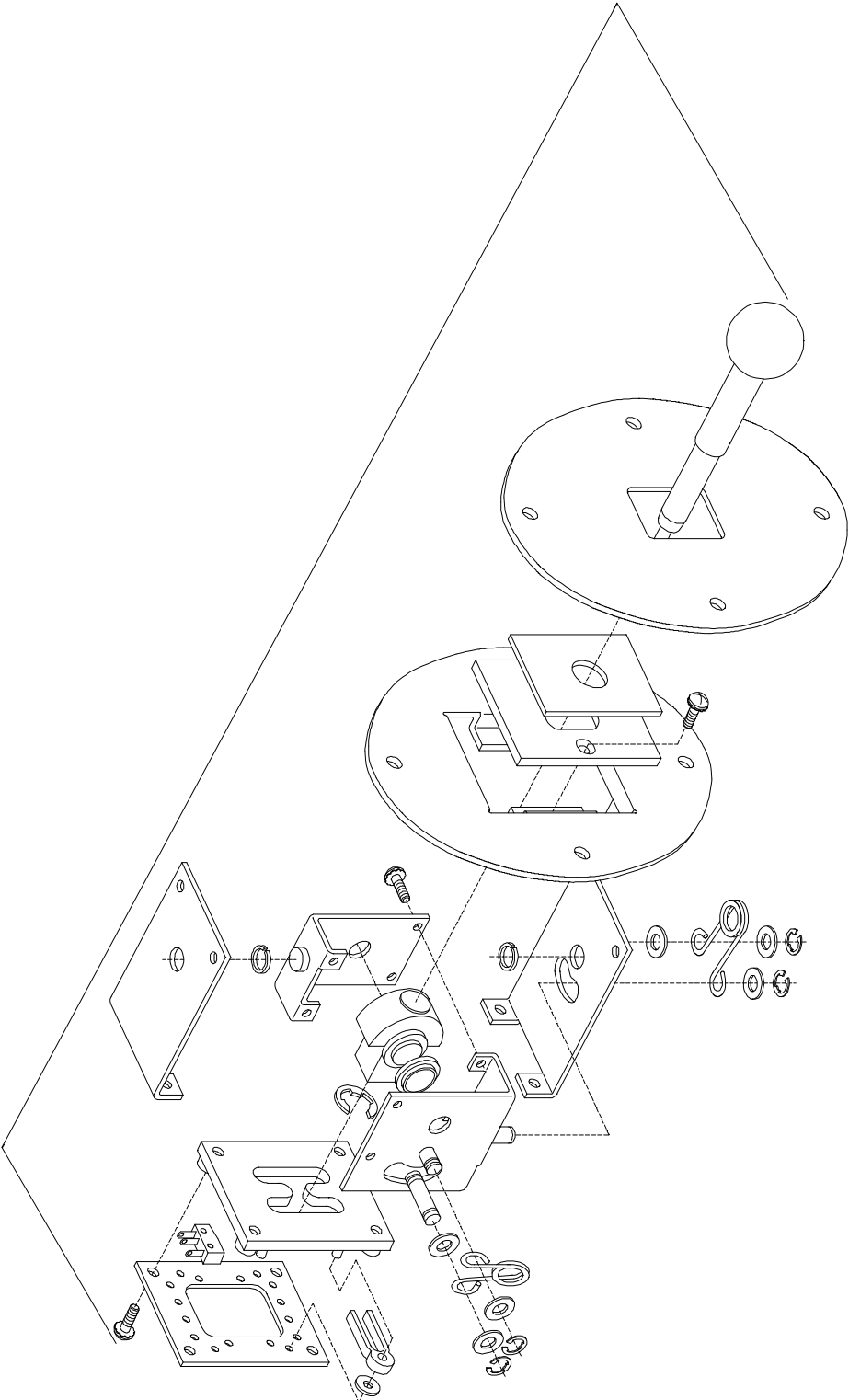
Button Pod Assembly



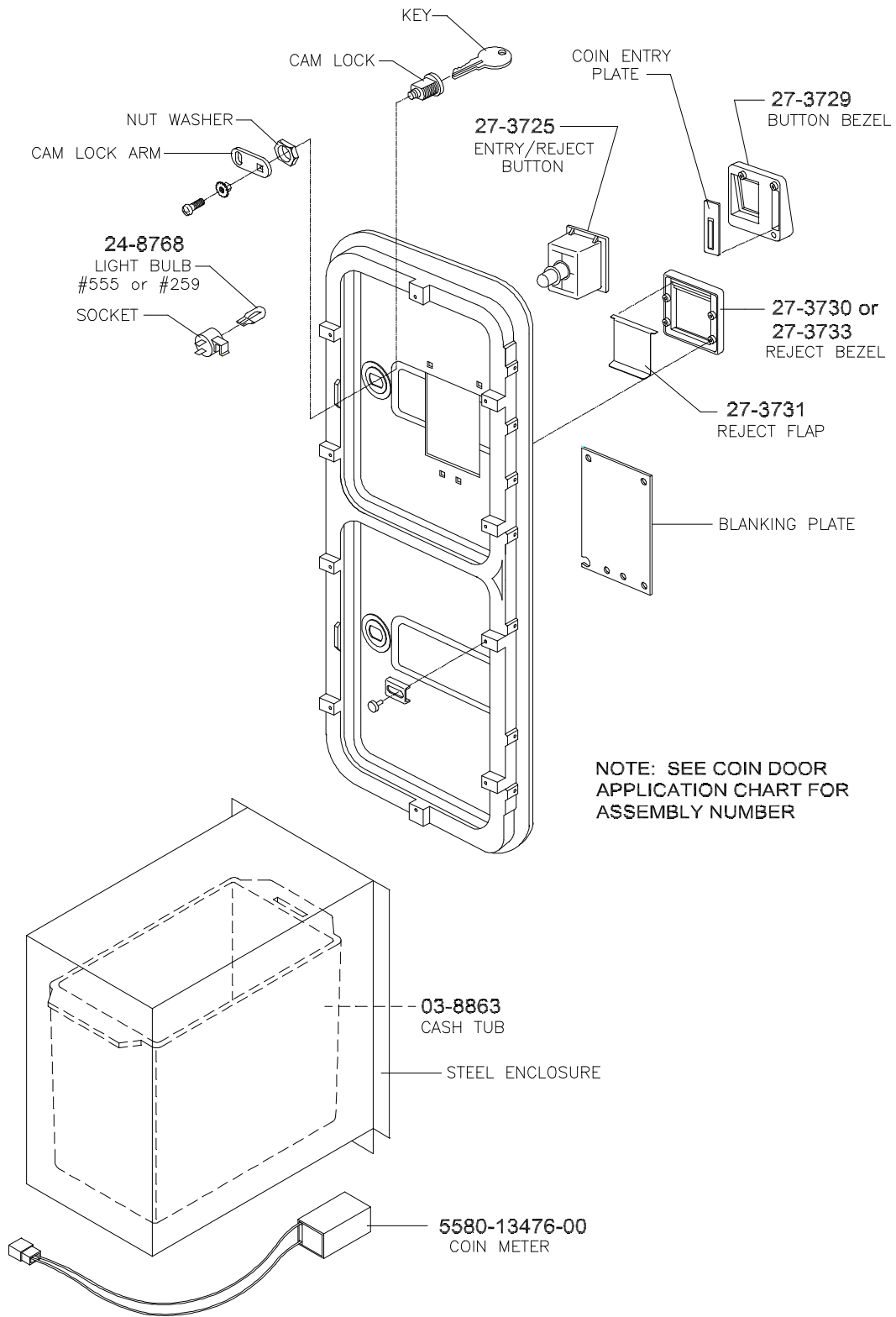
Shifter Pod Assembly



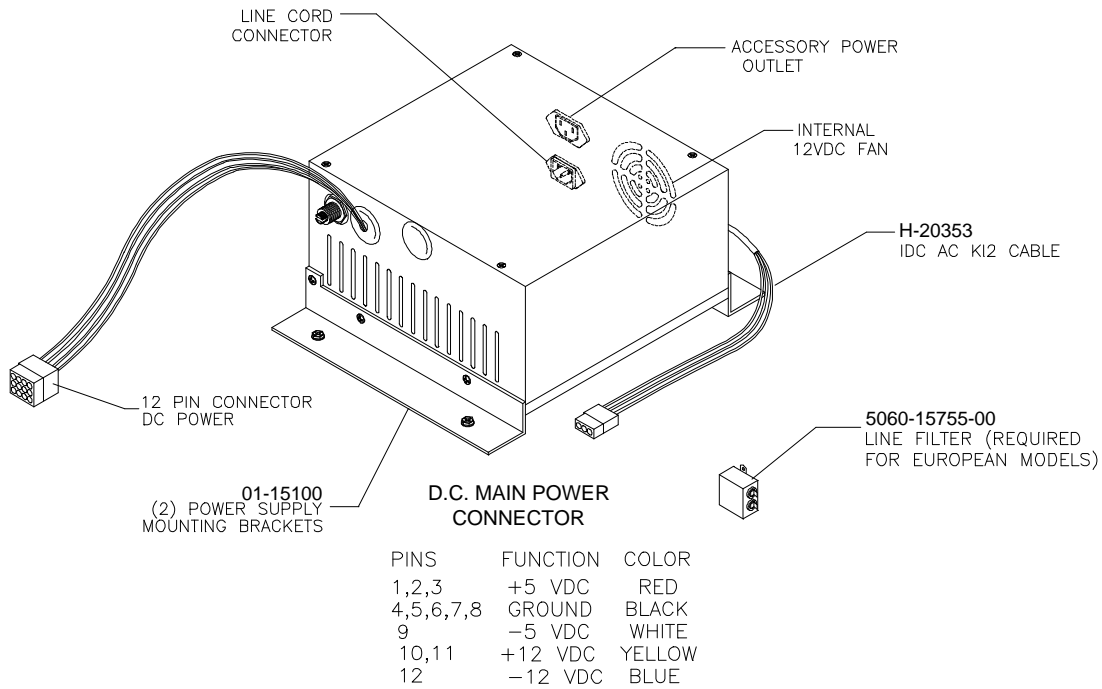
Shifter Assembly 20-10495



Coin Door Assembly

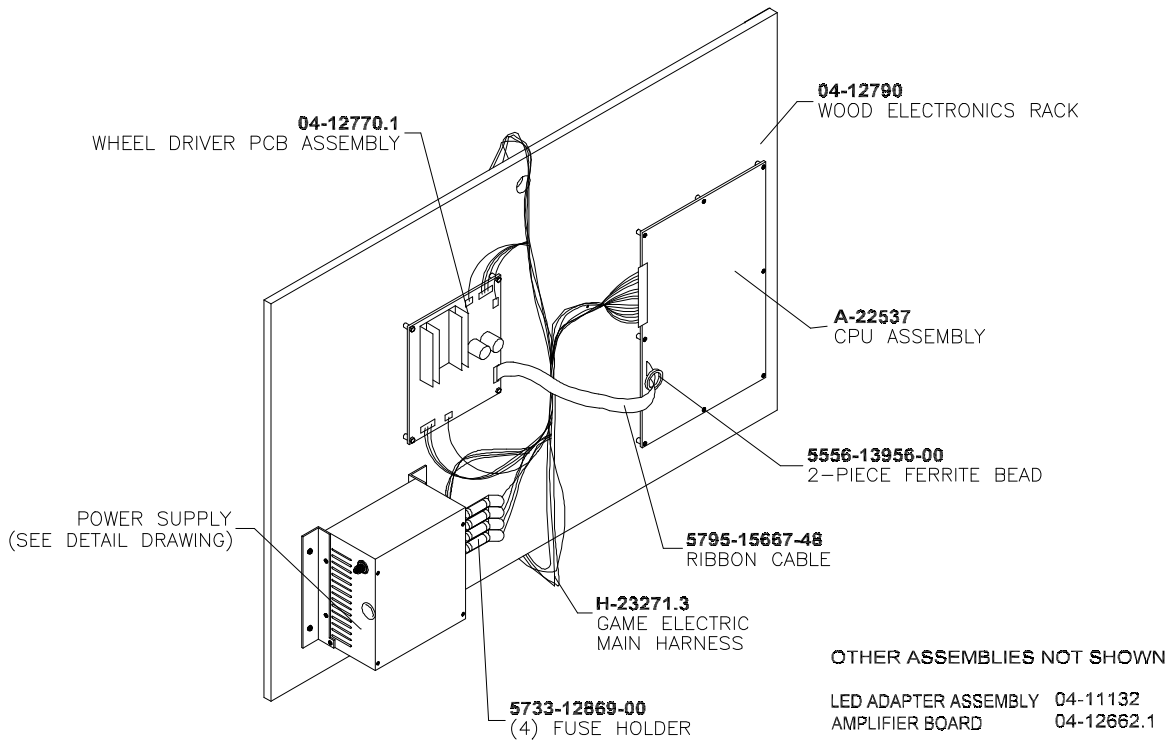


Power Supply 20-10537

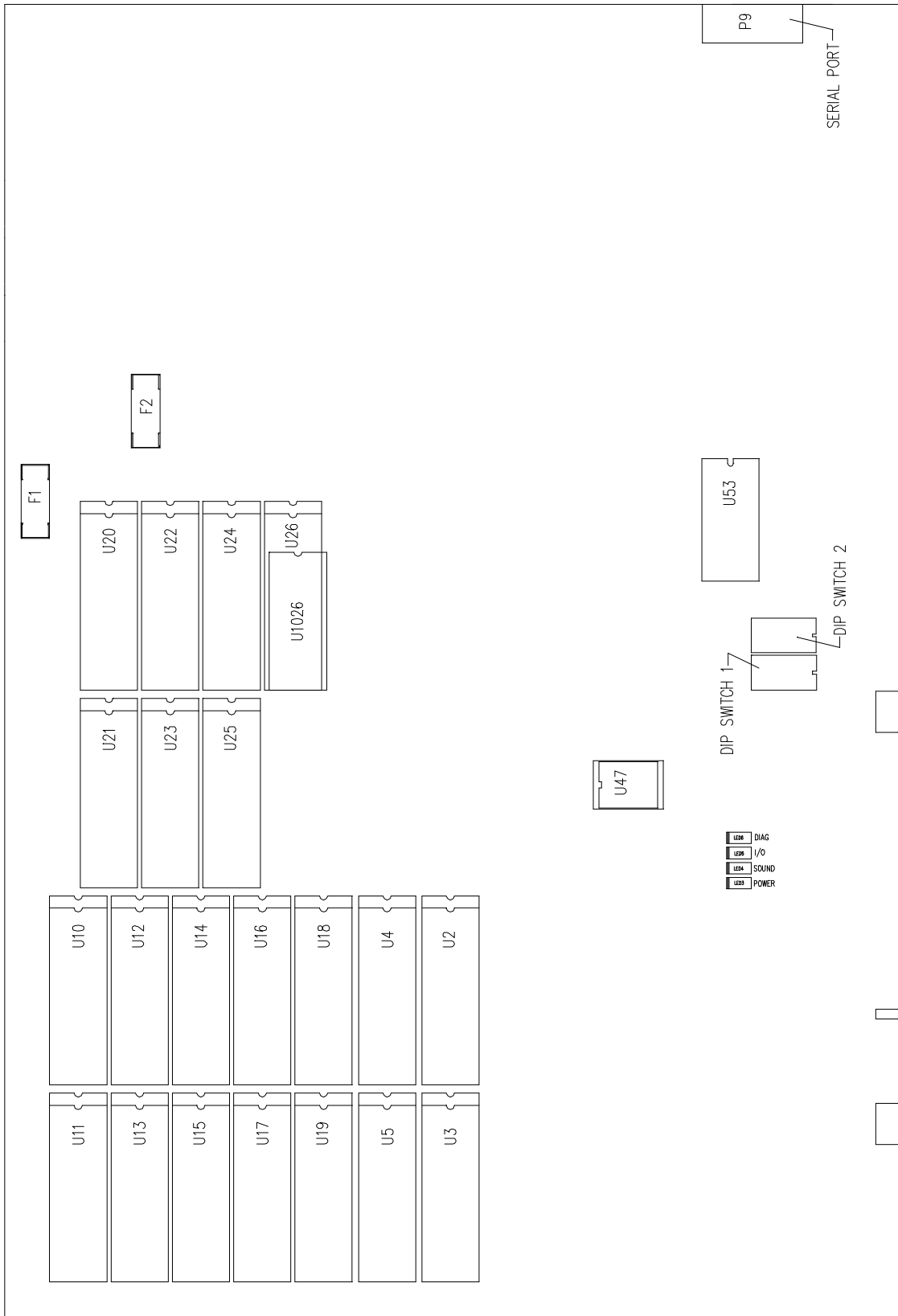


NOTE: Many computer grade power supplies use alternate wire colors. This is acceptable as long as the pinout is correct.

Electronics Assembly A-23332



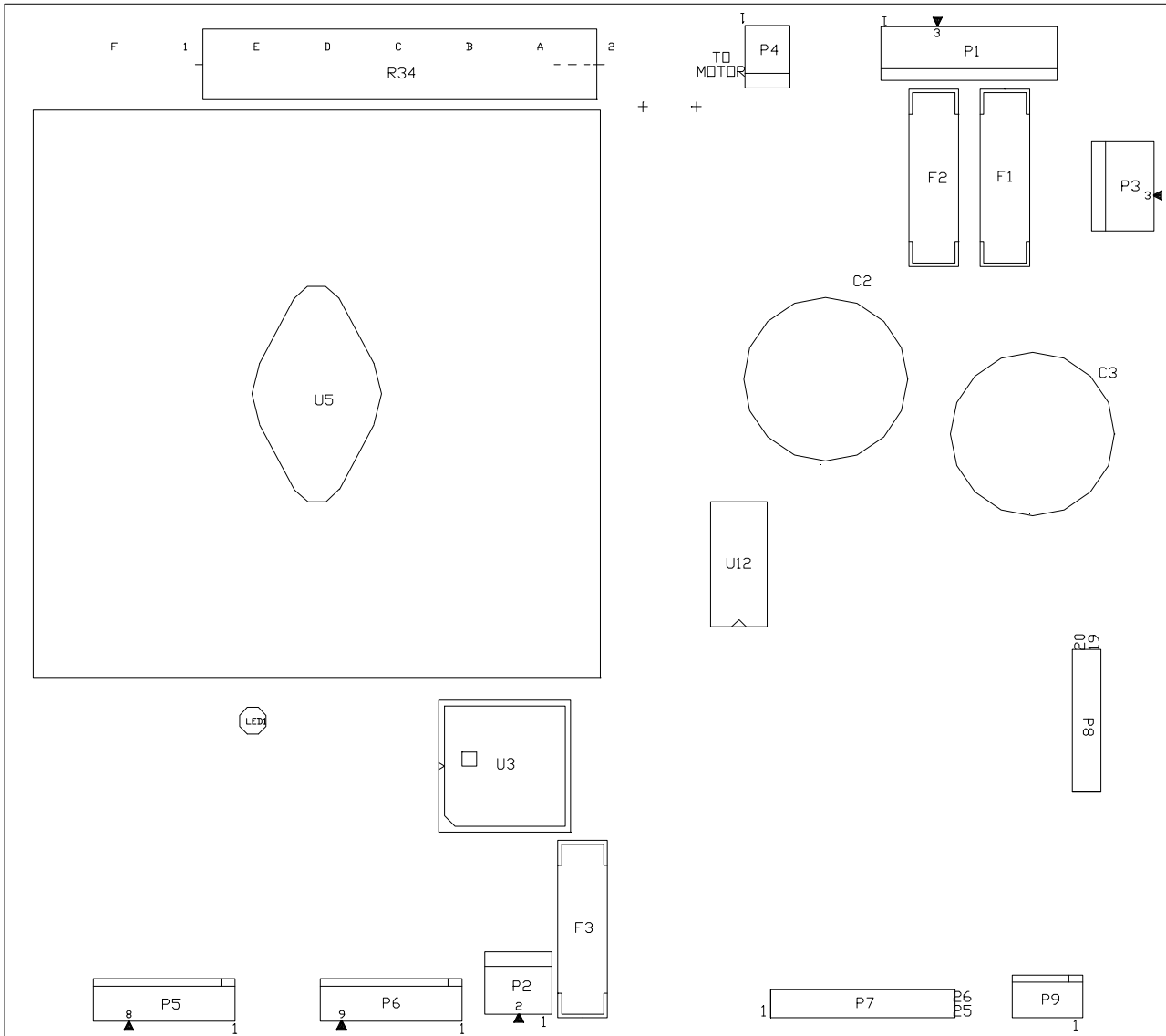
CPU Board Assembly A-22537



Field Replaceable CPU Board Parts

DESIGNATION	PART NUMBER	FUNCTION	DESCRIPTION
U47	5460-15676-00	Config Memory Backup	Module
F1, F2	5735-13853-00	Circuit Protection	2A SB Fuse 5x20mm
U2	A-5341-16431-11	Sounds	EPROM Assembly
U3	A-5341-16431-14	Sounds	EPROM Assembly
U4	A-5341-16431-15	Sounds	EPROM Assembly
U10	A-5341-16431-1	Programming & Images	EPROM Assembly
U11	A-5341-16431-2	Programming & Images	EPROM Assembly
U12	A-5341-16431-12	Programming & Images	EPROM Assembly
U13	A-5341-16431-13	Programming & Images	EPROM Assembly
U14	A-5341-16431-3	Images	EPROM Assembly
U15	A-5341-16431-4	Images	EPROM Assembly
U16	A-5341-16431-5	Images	EPROM Assembly
U17	A-5341-16431-6	Images	EPROM Assembly
U18	A-5341-16431-7	Images	EPROM Assembly
U19	A-5341-16431-8	Images	EPROM Assembly
U22	A-5341-16431-17	Images	EPROM Assembly
U23	A-5341-16431-18	Images	EPROM Assembly
U24	A-5341-16431-19	Images	EPROM Assembly
U25	A-5341-16431-20	Images	EPROM Assembly
U26	5347-16378-00	High Score Memory Backup	Module
U53	A-23251	39" Game Instructions	PIC Assembly

Wheel Driver Board 04-12770.1



Field Replaceable Wheel Driver Board Parts

Description	Part Number	Designation
Fuse 4A SB	5731-14094-00	F1, F2
Fuse .63A FB	5731-15627-00	F3
PLD Assy Primary	A-23362	U3
PLD Assy Secondary	A-23363	U3

Supplementary Parts

Power & Protection	
AC Line Filter, 5A, 250V	5060-15755-00
AC Line Filter, 6A, 250V	5102-14240-00
Ferrite Bead	5556-13956-00
Fuse, 4A, 250V, SB	5731-06314-00

Cables	
IDC Cable	H-20353
26-Pin Ribbon Cable	5795-15667-48
AC Interconnect Cable	H-23355
AC Line Voltage	H-23272
Beacon Light Cable	H-23123
Braided Ground Cable	H-22327-86
Control Panel Cable	H-22094
Dash Umbilical Cable	H-23273.3
Fire Wire Linking Cable	20-10536-16
High Current Power Cable	H-23371
Keypad Cable	04-12928
Main Harness JAMMA Cable	H-23271.3
Lower Seat Speaker Cable	H-21128
Bill Acceptor Adapter Cable	H-23639
USA DBV Acceptor	H-20398

Documentation	
Caster Installation Instructions	16- 11010
DBV Installation Instructions	16-9637
Operators Manual	16-40076-101
Product Registration Card	16-10650
Product Safety Manual	

Tools & Game Installation Hardware	
Bolt, hex head, ¼-20 x 1	4320-01124-16
Bulb, #555, 6.3V, .25 Amps	24-8768
Bulb, #161	24-8840
Fuse, SB, 4A, 250V	5731-06314-00
Fuse, SB, 1A, 250V	5731-06569-00
Fuse, SB, 7A, 250V	5731-09432-00
Fuse, SB, 3A, 250V	5731-10356-00
Fuse, SB, 4A, 5x20mm	5731-14094-00
Fuse, 5x20mm, T2.5A, 250V	5731-14532-00
Fuse, FB, .63A, 250V, 5x20mm	5731-15627-00
Screw, SMS, #8 x 1-1/2 TRX	4108-01160-24B
Screw, Tamper-Resistant, ¼-20 x 1-1/4	4020-01100-20
Torx Key, T-20	20-9620
Torx Key, T-27	20-10140
Washer, Flat, .265 x .626 x .067	4700-00135-00B
Washer, Flat, .265 x .750 x .067	4700-00033-00
Washer, Lock, ¼, split	4701-00005-00
Washer, Lock, ¼-20, internal tooth	4702-00014-00B

Transformer Application Chart			
Part Number	5610-16292-00	5610-XXXXX-01	5610-XXXXX-00
Voltage & Country			
120 VAC USA	•		
230 VAC Europe		•	
100 VAC Japan			•

Line Cord Application Chart							
Part Number	5850-14699-01	5850-14699-02	5850-14699-03	5850-14699-00	5850-14699-04	5850-14699-05	5850-14699-06
Country							
USA	•						
UK			•				
Italy				•			
Japan							•
New Zealand						•	
Germany		•					
Spain		•					
Denmark		•					
Finland		•					
Holland		•					
Norway		•					
Switzerland					•		
Hungary		•					
Canada	•						
Austria		•					
France		•					
Australia						•	
Belgium		•					

Coin Door Application Chart																	
Part Number	09-96023-																
	02	03	04	06	07	09	11	13	14	15	17	18	20	22	23	24	33
Country																	
USA																	•
UK (09-80000)																	
Italy									•								
Japan										•							
New Zealand											•						
Germany	•																
Spain													•				
Denmark																	
Finland							•										
Holland								•									
Norway												•					
Switzerland														•			
Hungary															•		
Canada																•	
Austria		•															
France			•														
Australia				•													
Belgium					•												