

CRUIS'N EXOTICATM

S E C T I O N FOUR

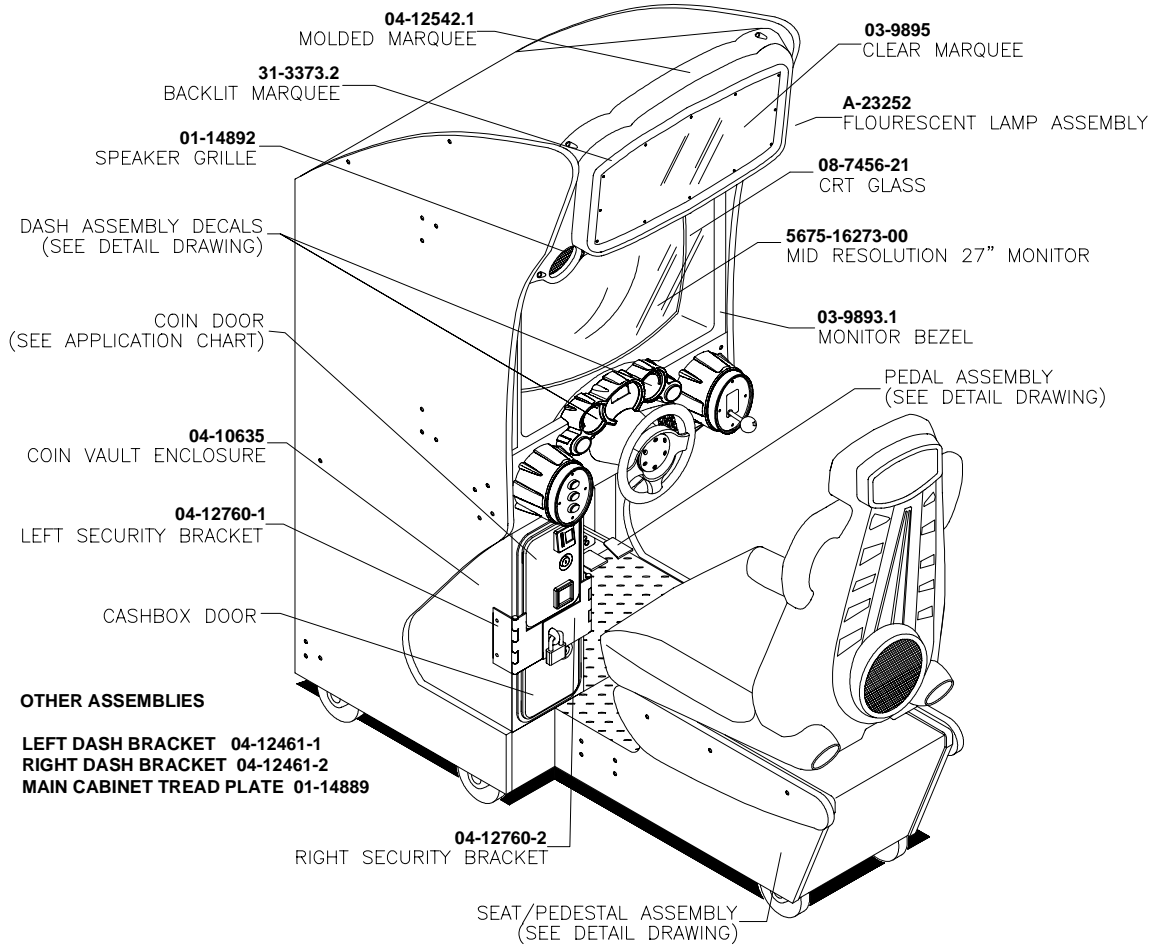
PARTS

WARNING

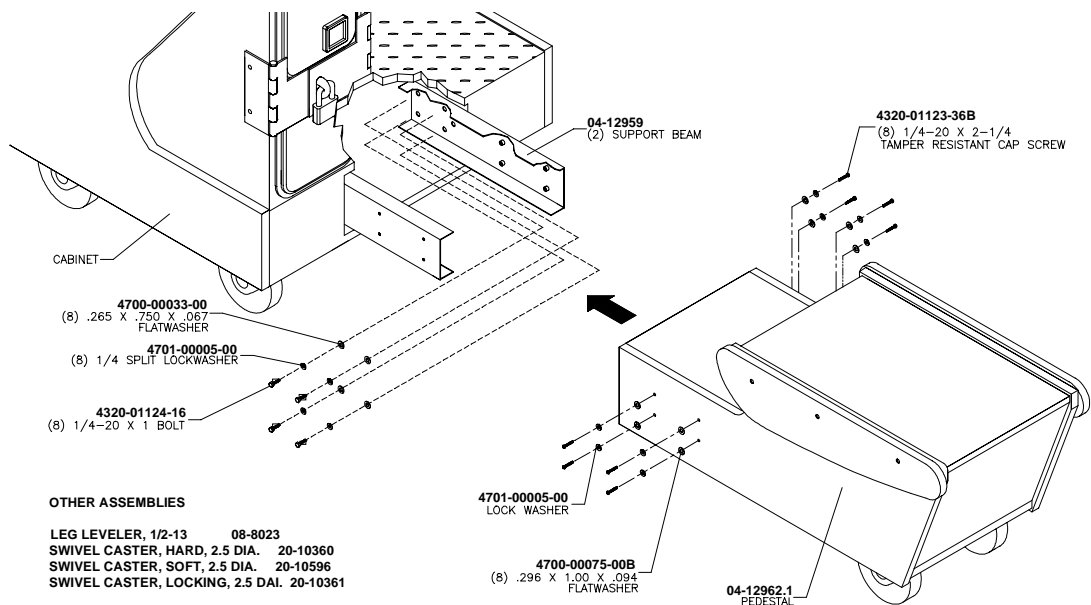
USE OF NON-MIDWAY PARTS OR CIRCUIT MODIFICATIONS MAY CAUSE SERIOUS INJURY OR EQUIPMENT DAMAGE! USE ONLY MIDWAY AUTHORIZED PARTS.

- For safety and reliability, substitute parts and modifications are not recommended.
- Substitute parts or modifications may void EMC directive or FCC type acceptance.

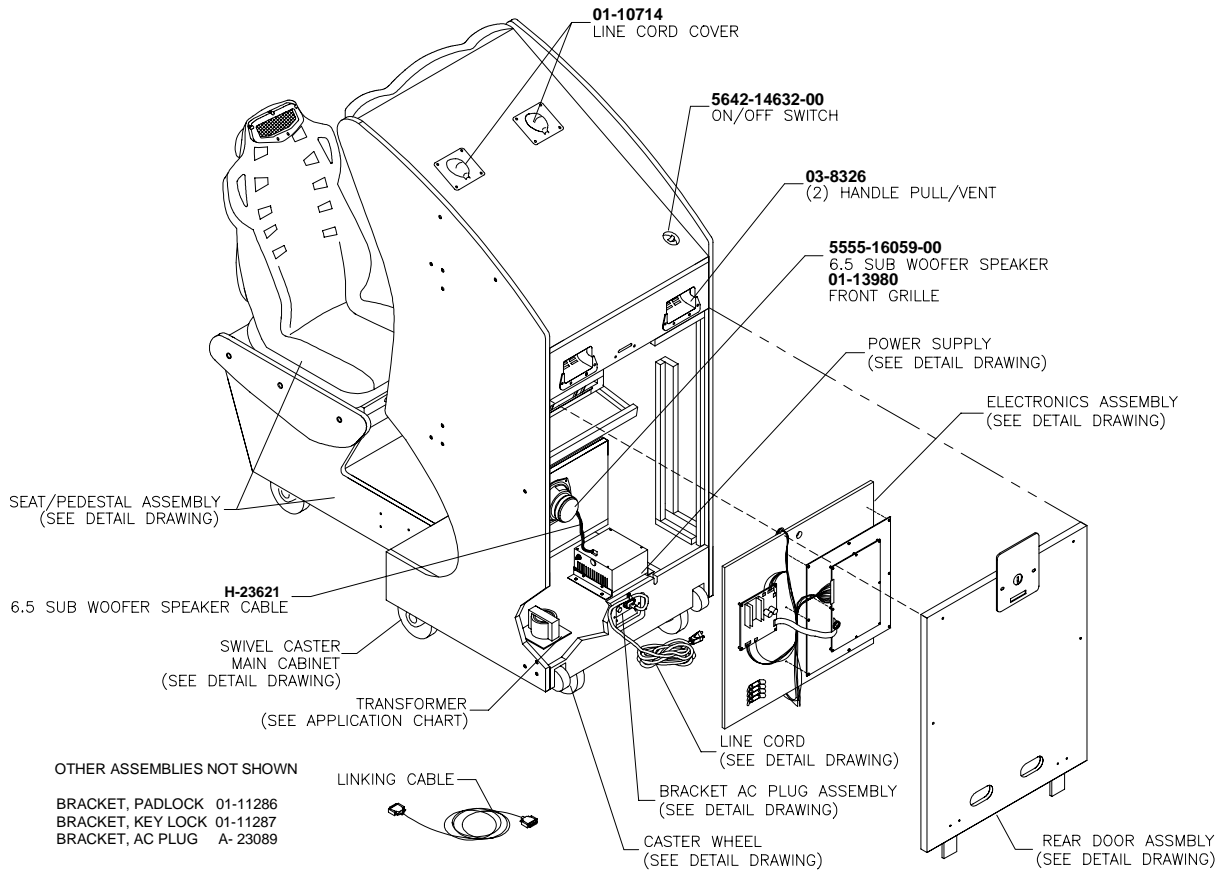
Cabinet Front View



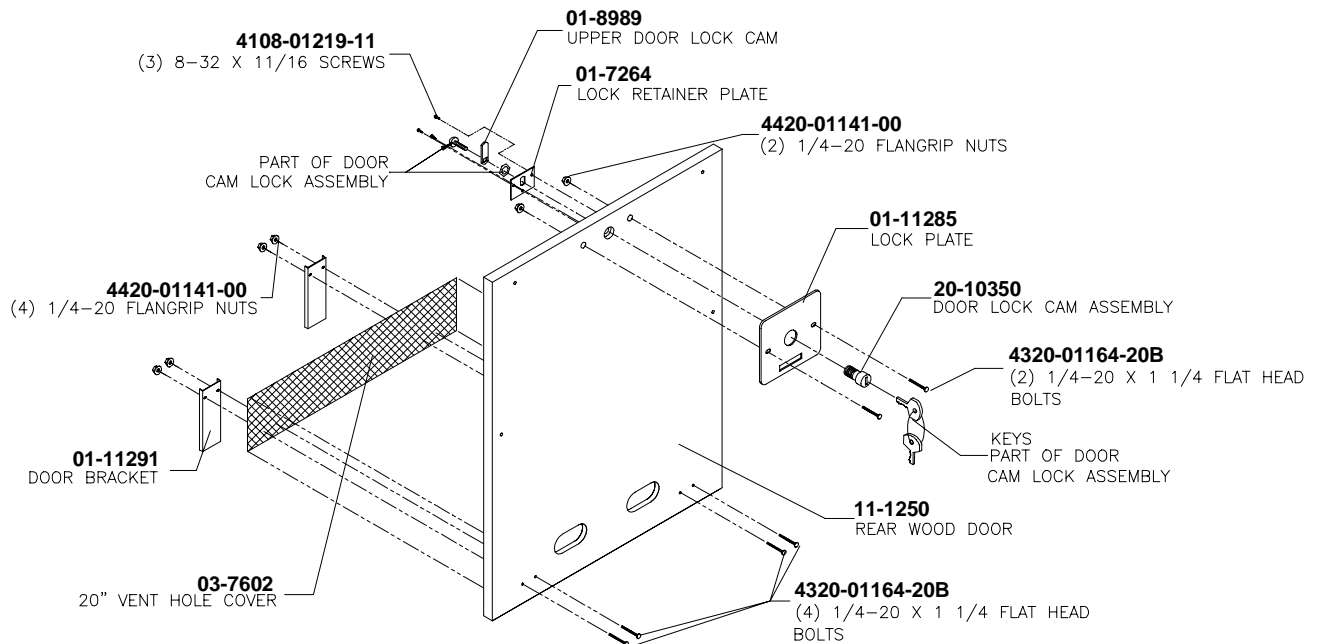
Pedestal Assembly



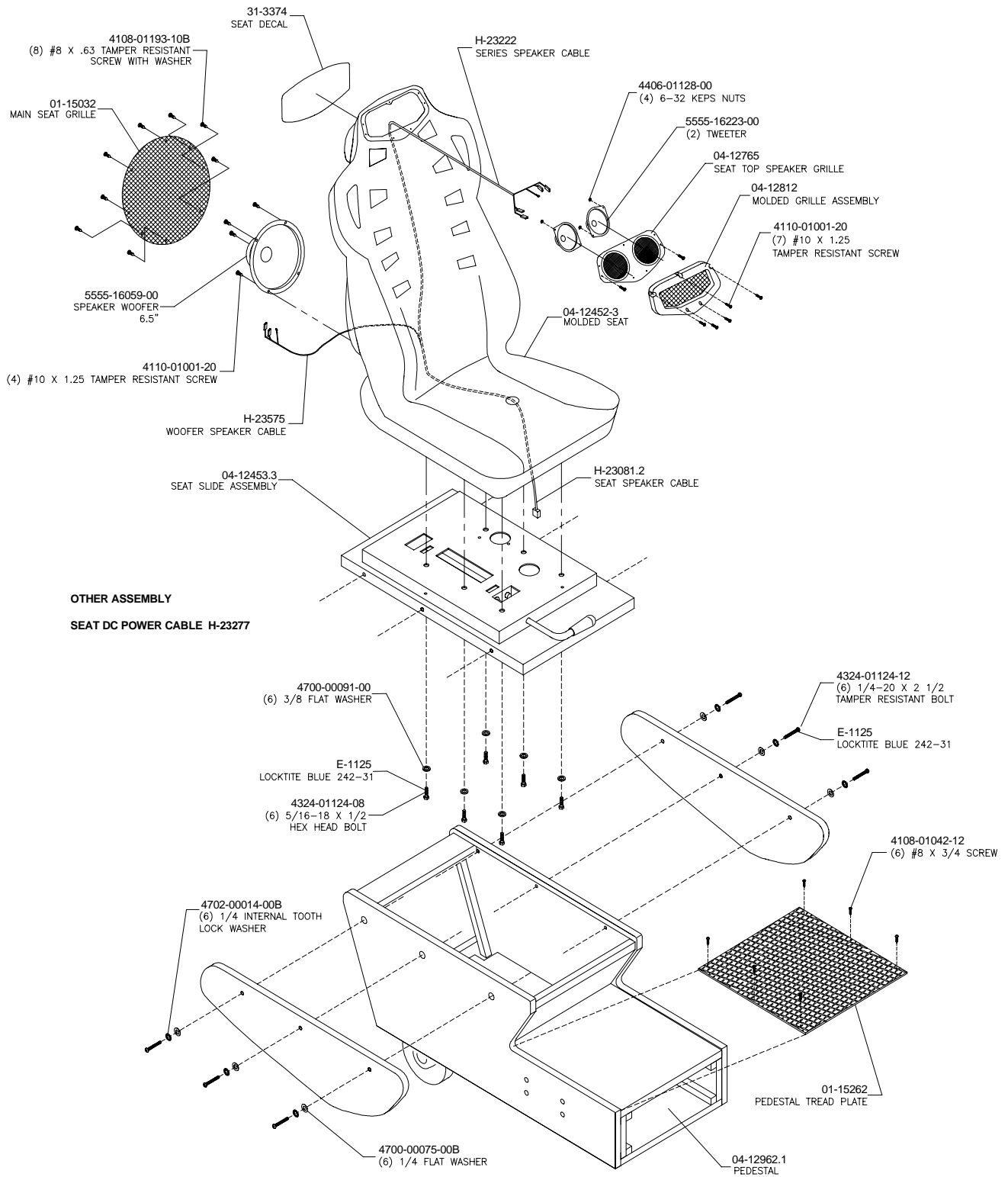
Cabinet Rear View



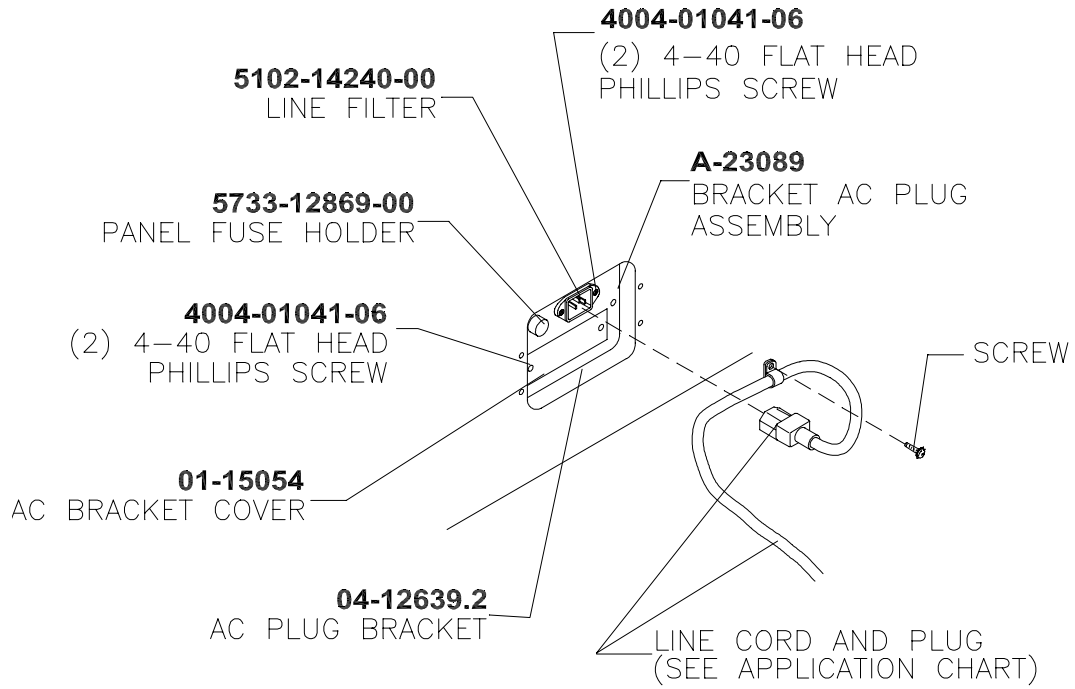
Rear Door Assembly



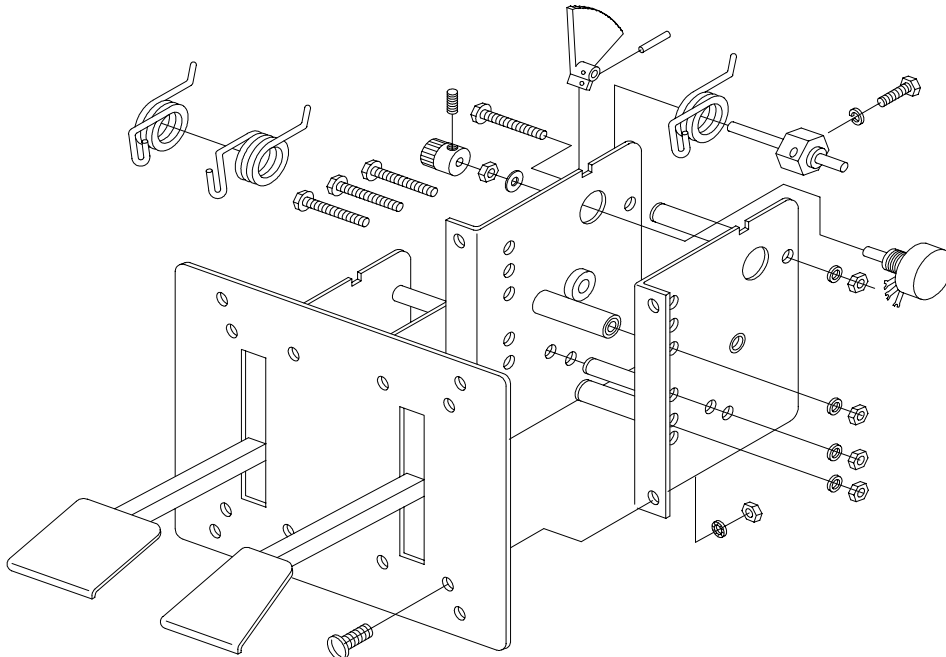
Seat Pedestal Assembly



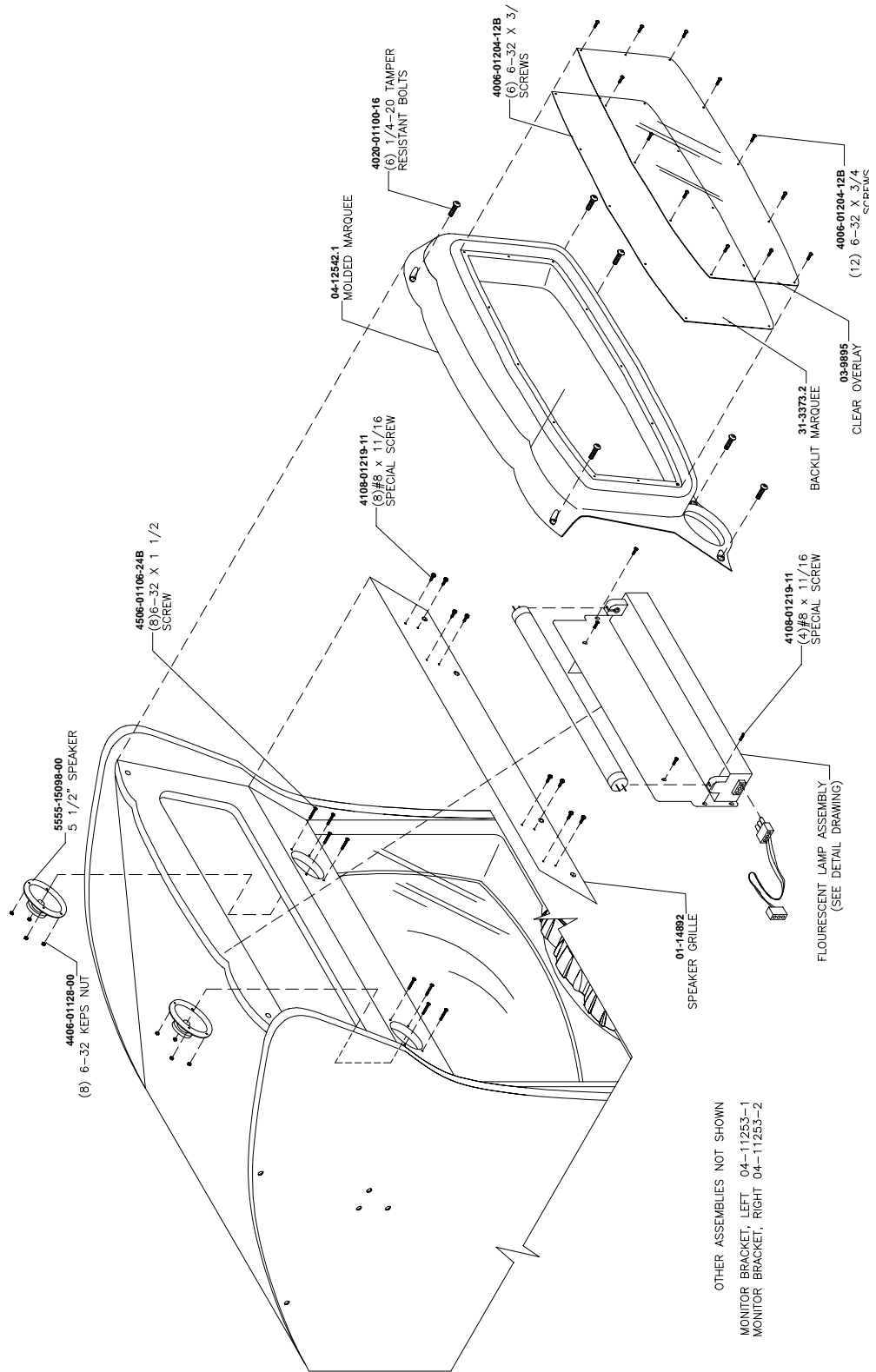
AC Power Plug Assemblies



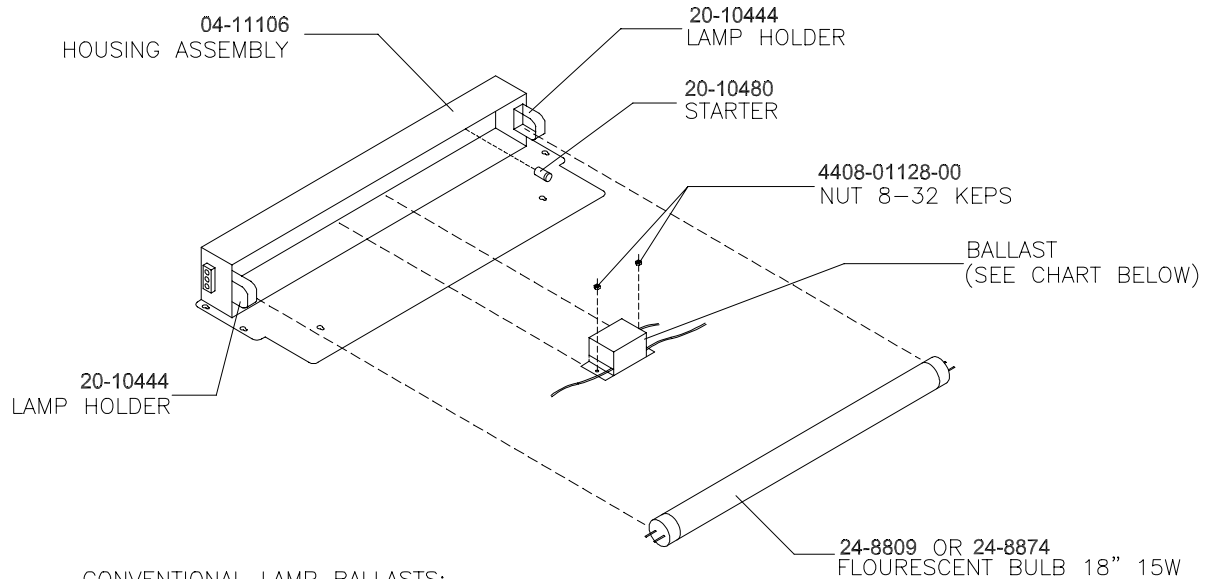
Pedal Assembly 20-10135



Marquee Assembly



Fluorescent Lamp Assemblies A-23252

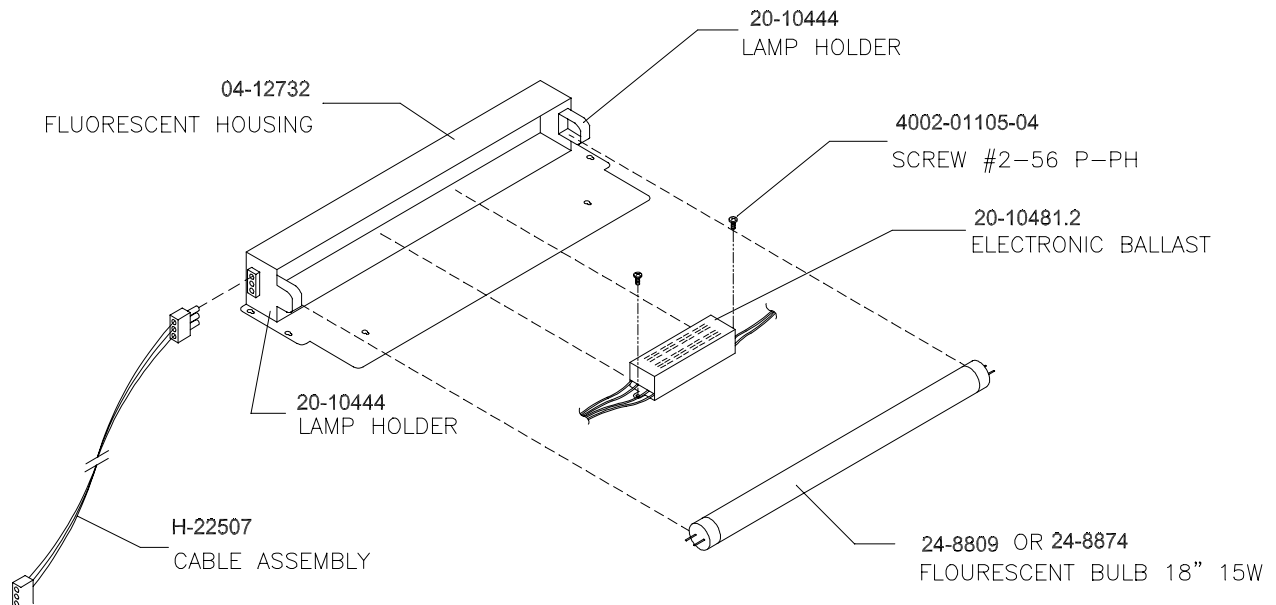


CONVENTIONAL LAMP BALLASTS:

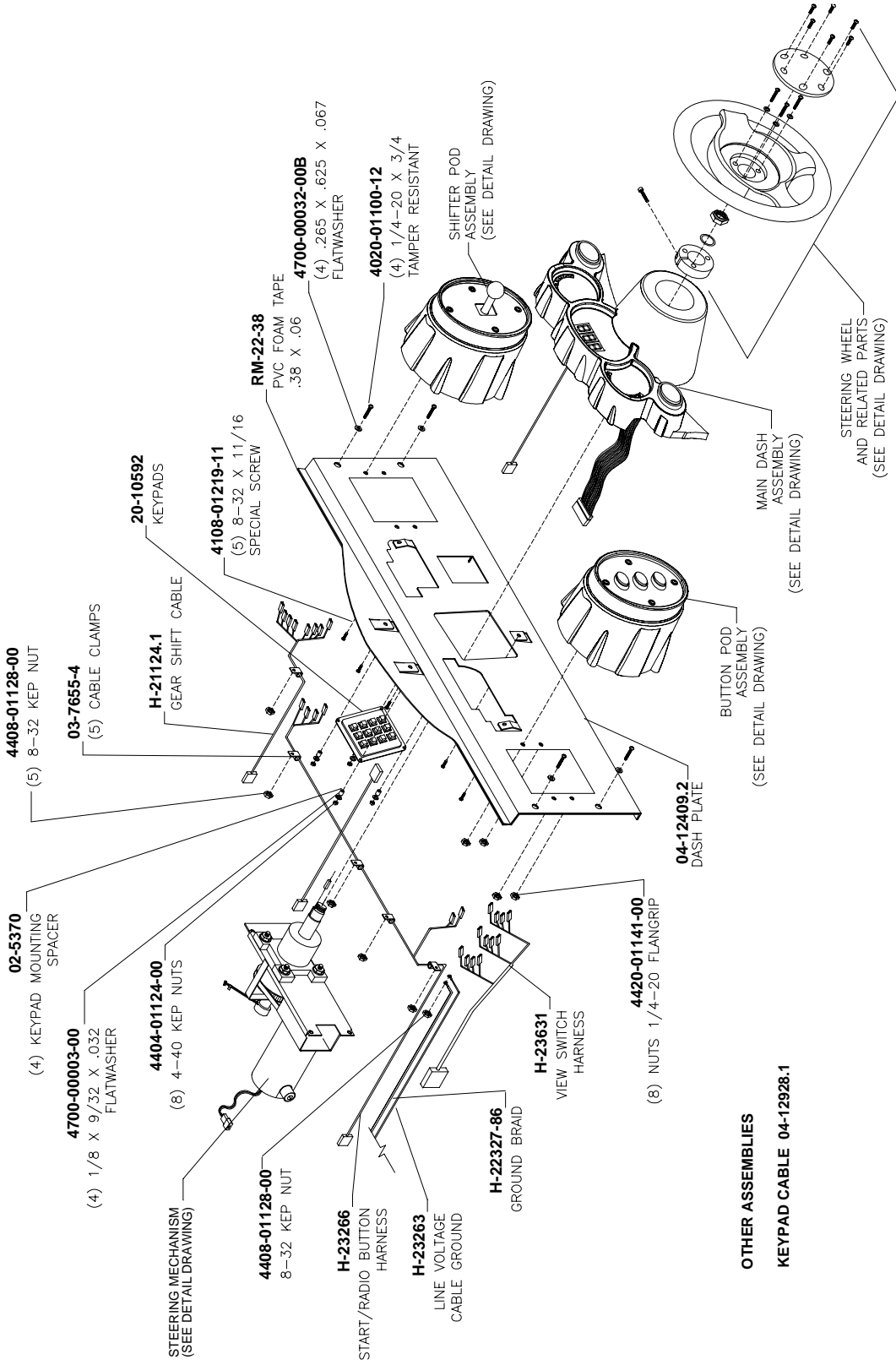
20-10263	100VOLT 50/60 Hz
20-8749-8	120VOLT 60Hz
20-10220	220VOLT 50Hz
20-10384	220VOLT 60Hz
20-10379	230VOLT 50Hz
20-10380	240VOLT 50Hz
20-10236	240VOLT 60Hz

OTHER ASSEMBLY

LIGHT FIXTURE SHIELD 04-12696



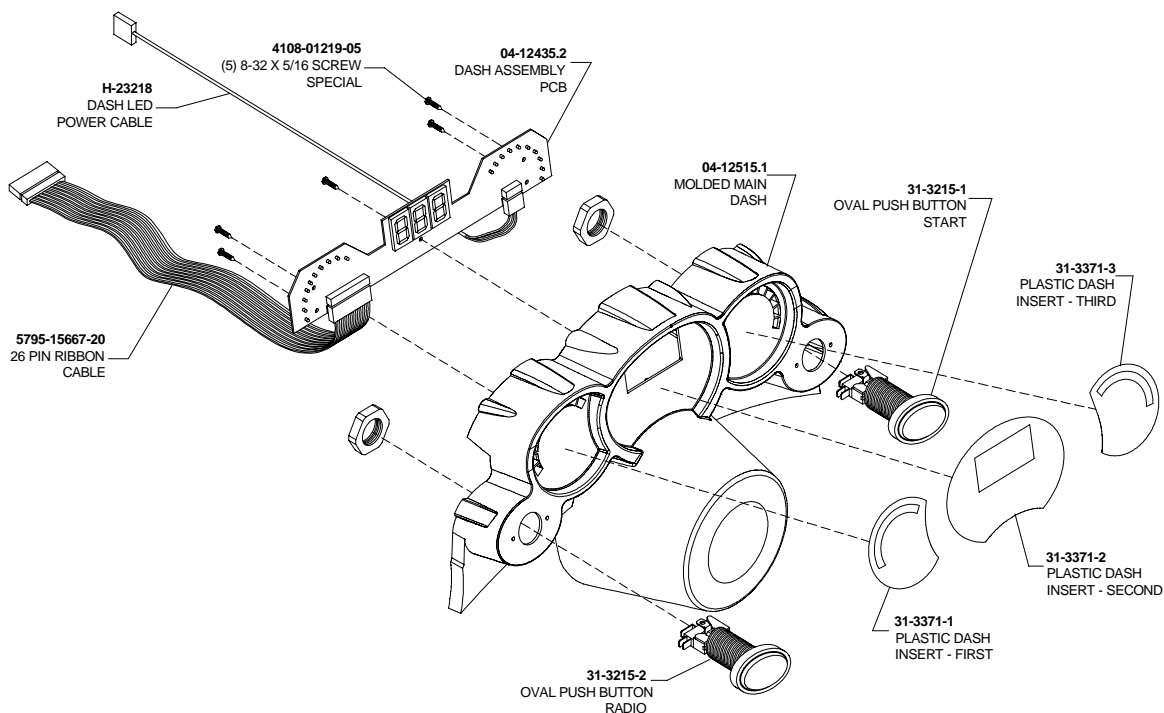
Dashboard Assembly



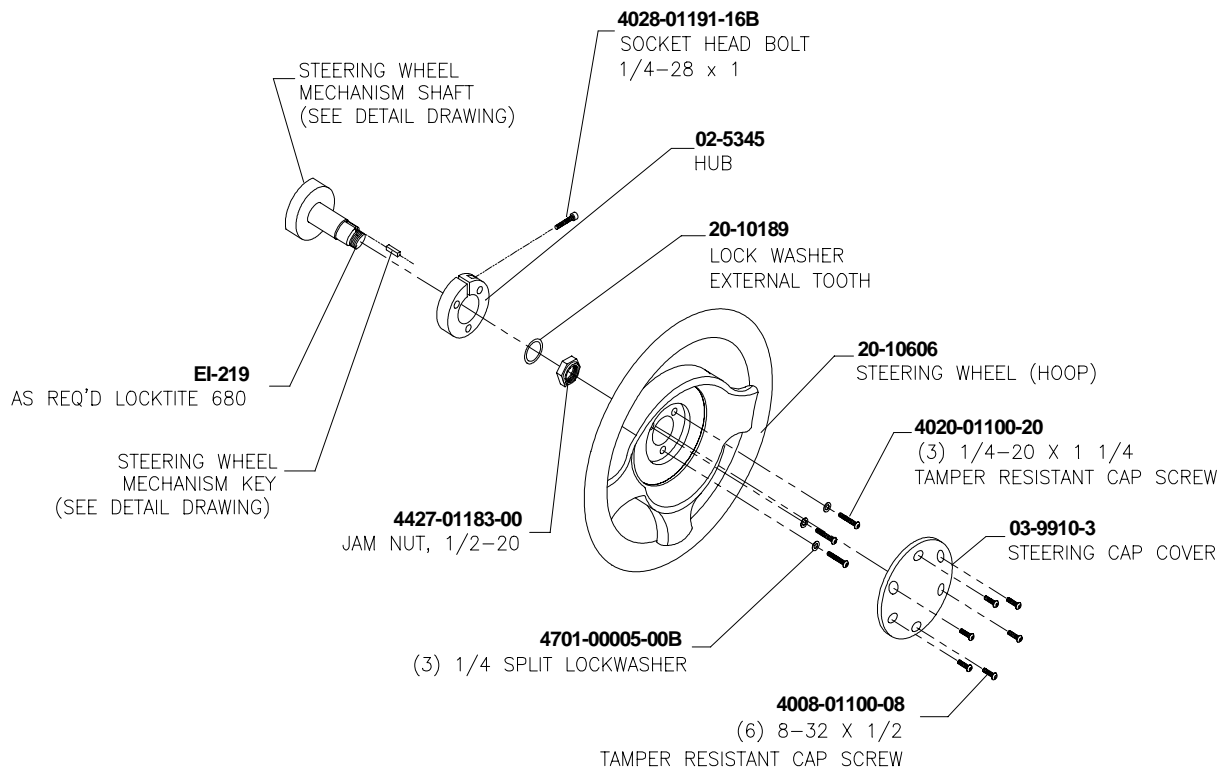
OTHER ASSEMBLIES

KEYPAD CABLE 04-12928.1

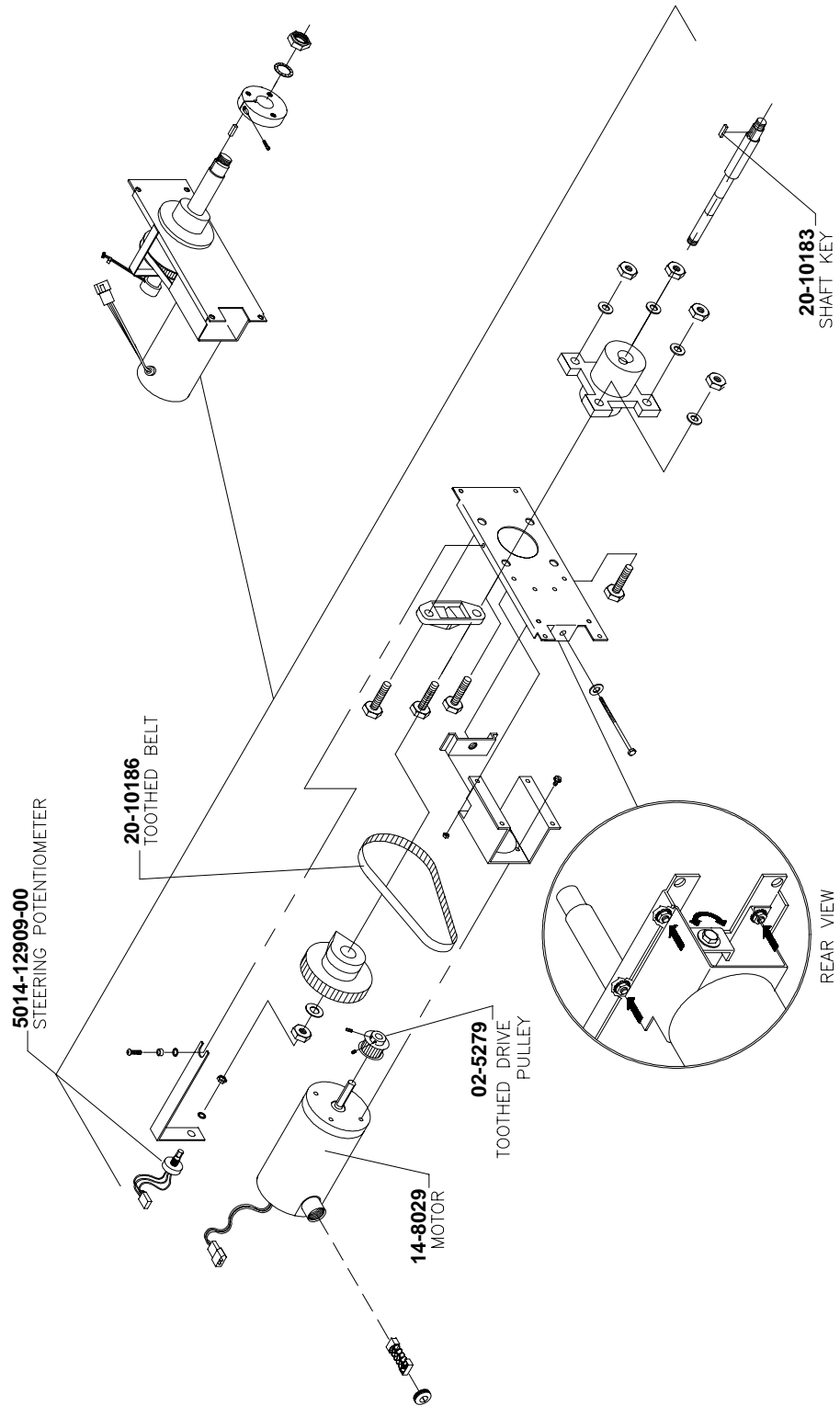
Main Dash Assembly



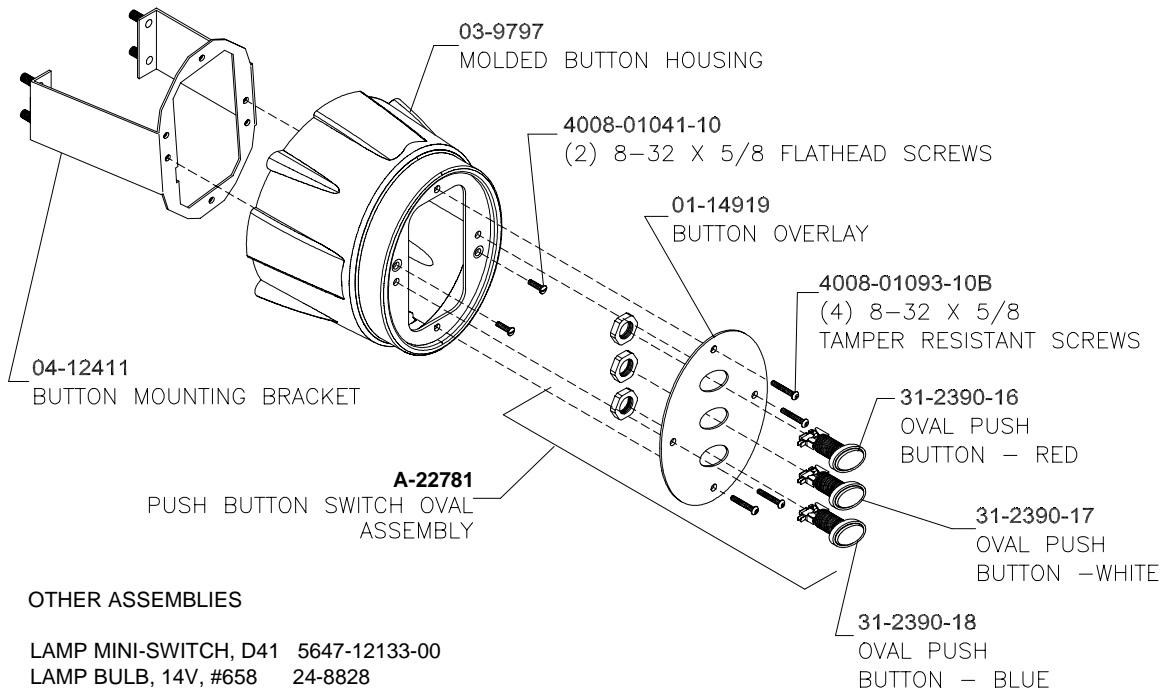
Steering Wheel



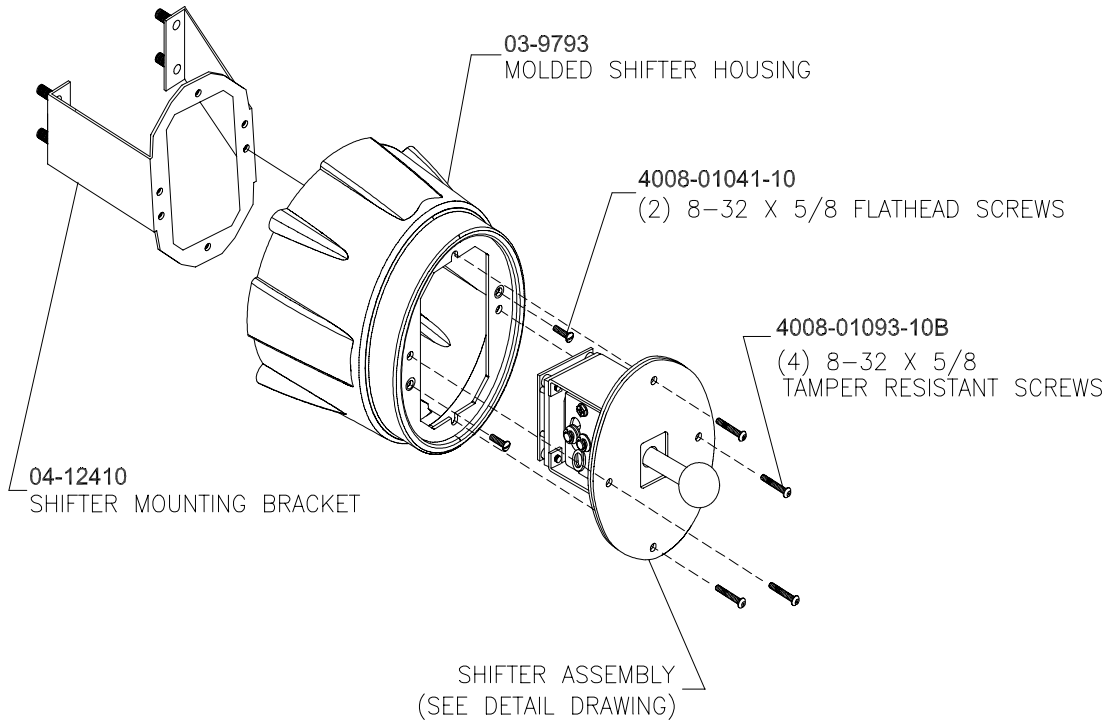
Steering Mechanism 20-10627



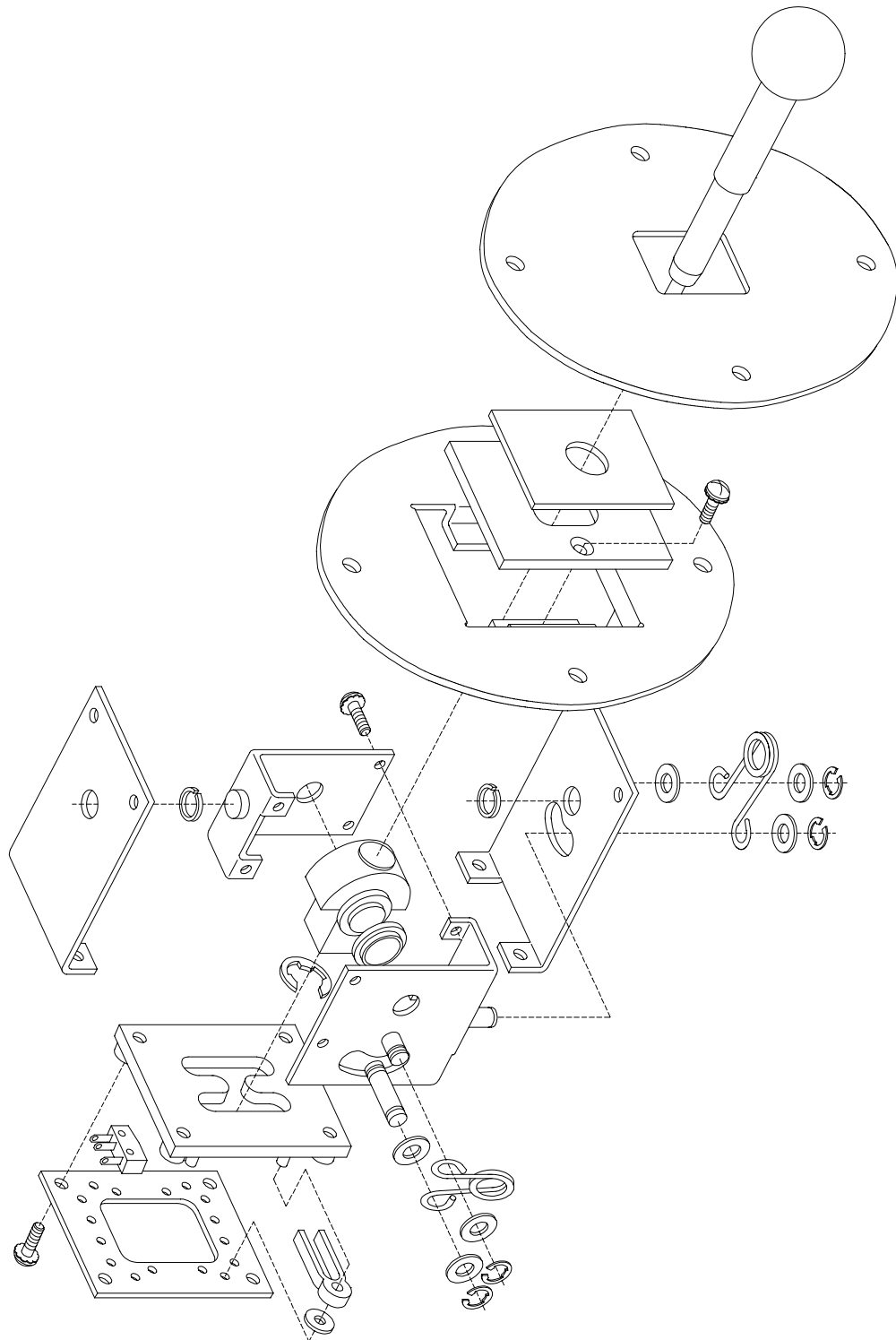
Button Pod Assembly



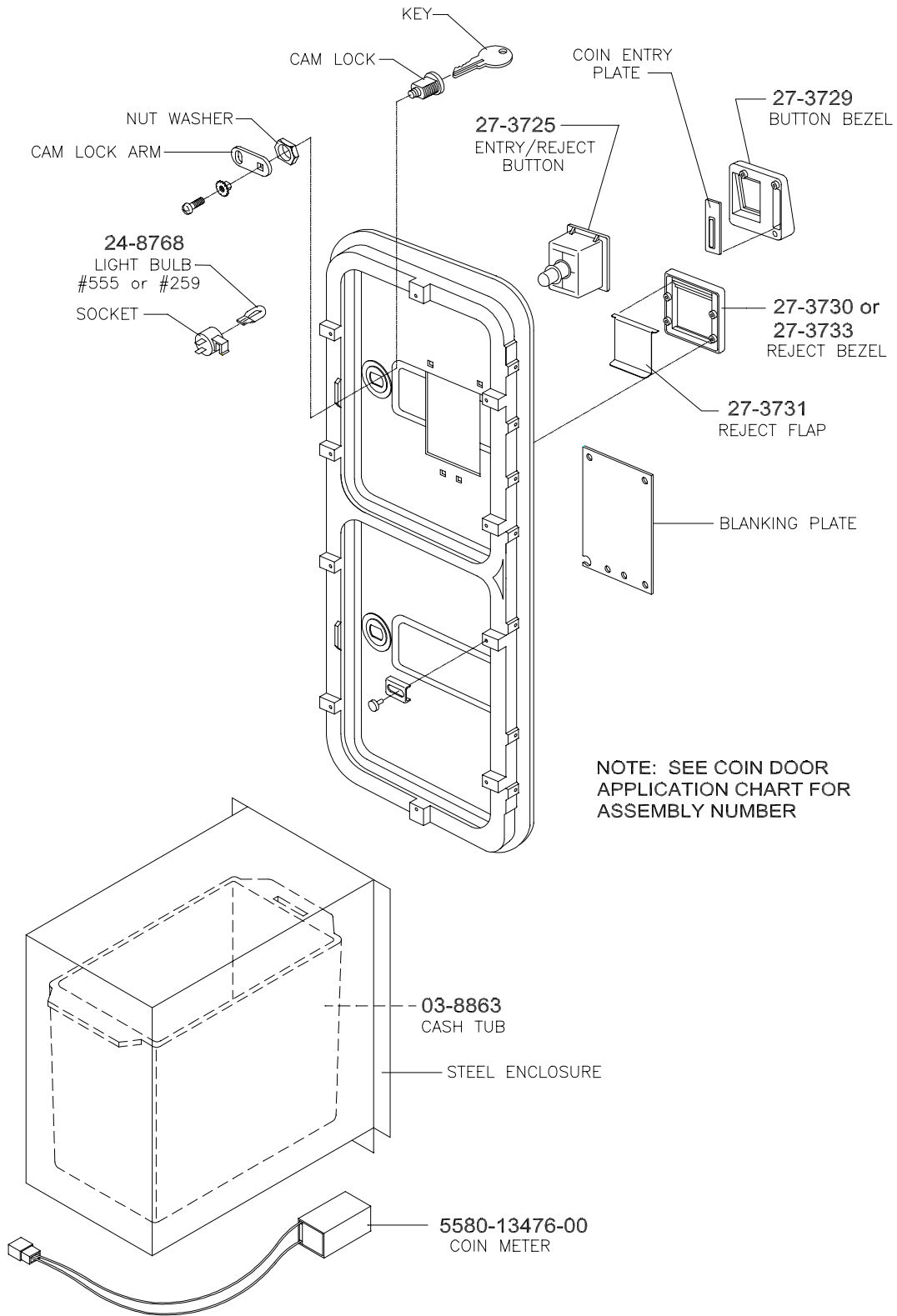
Shifter Pod Assembly



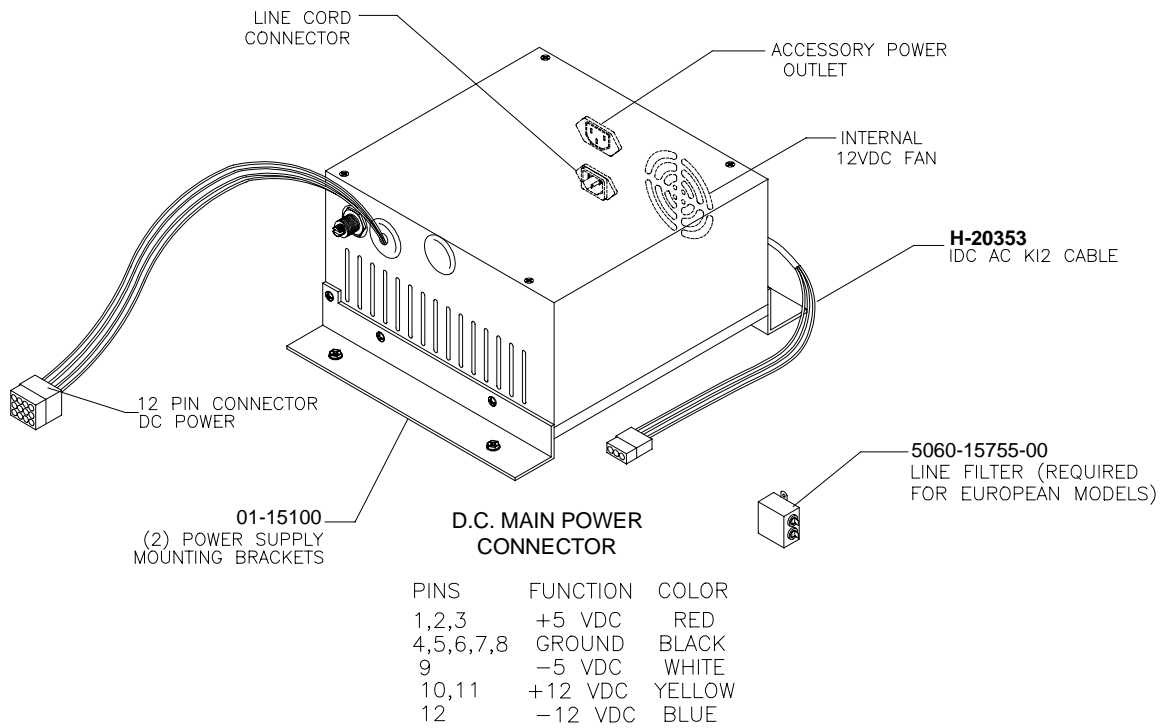
Shifter Assembly 20-10495



Coin Door Assembly

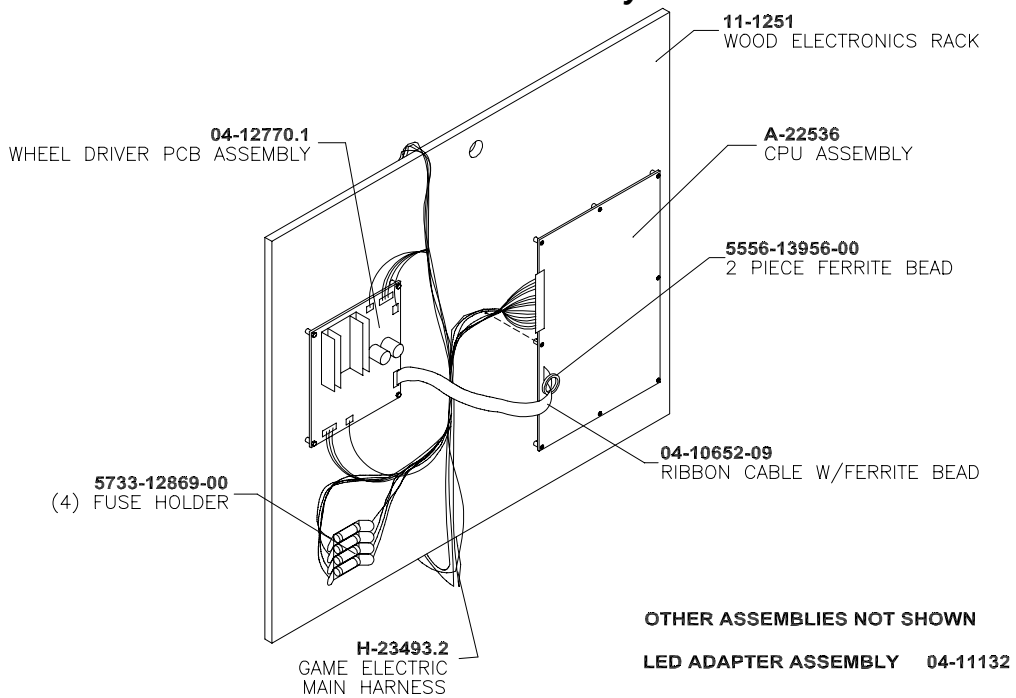


Power Supply 20-10537

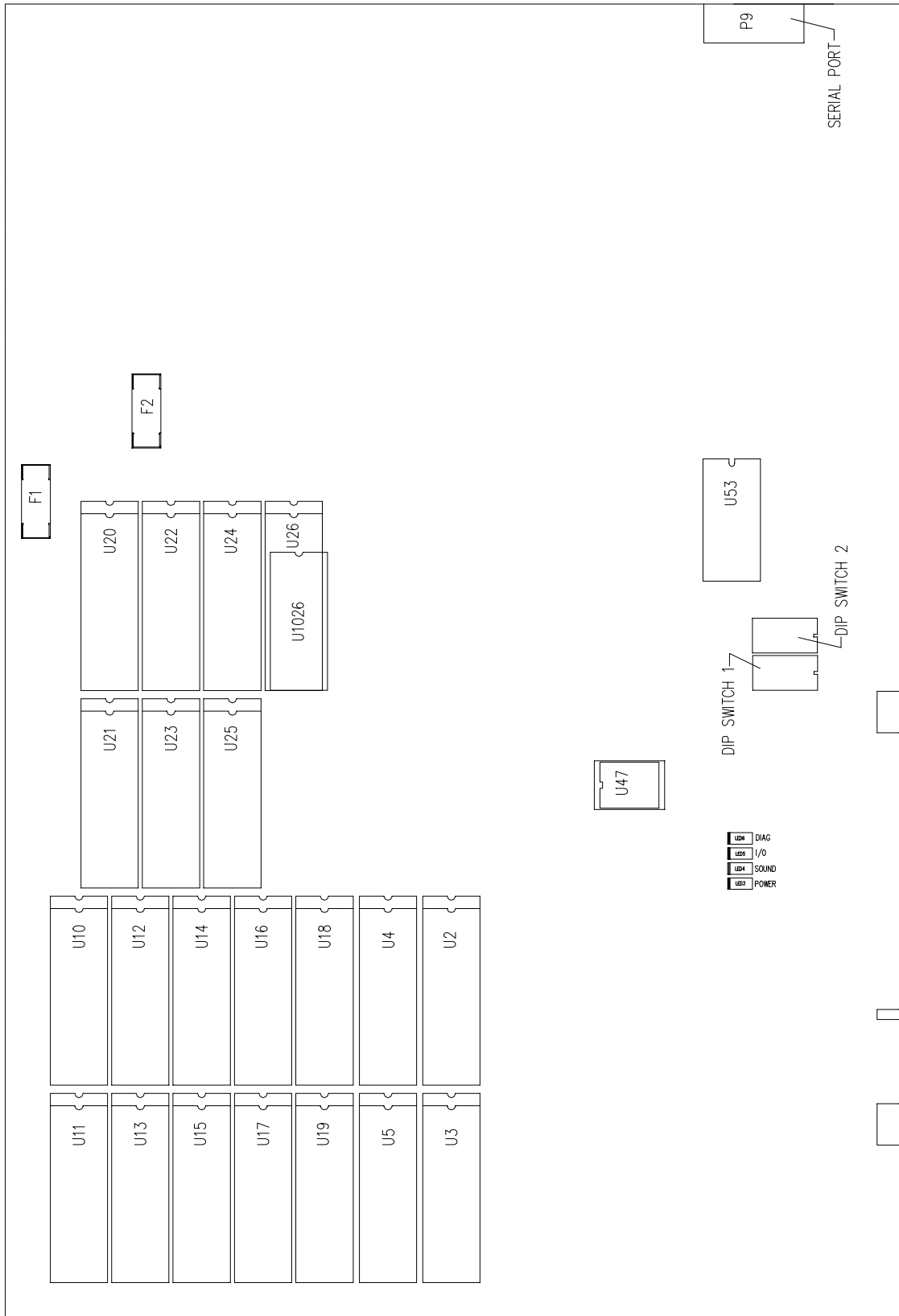


NOTE: Many computer grade power supplies use alternate wire colors. This is acceptable as long as the pinout is correct.

Electronics Assembly A-23075



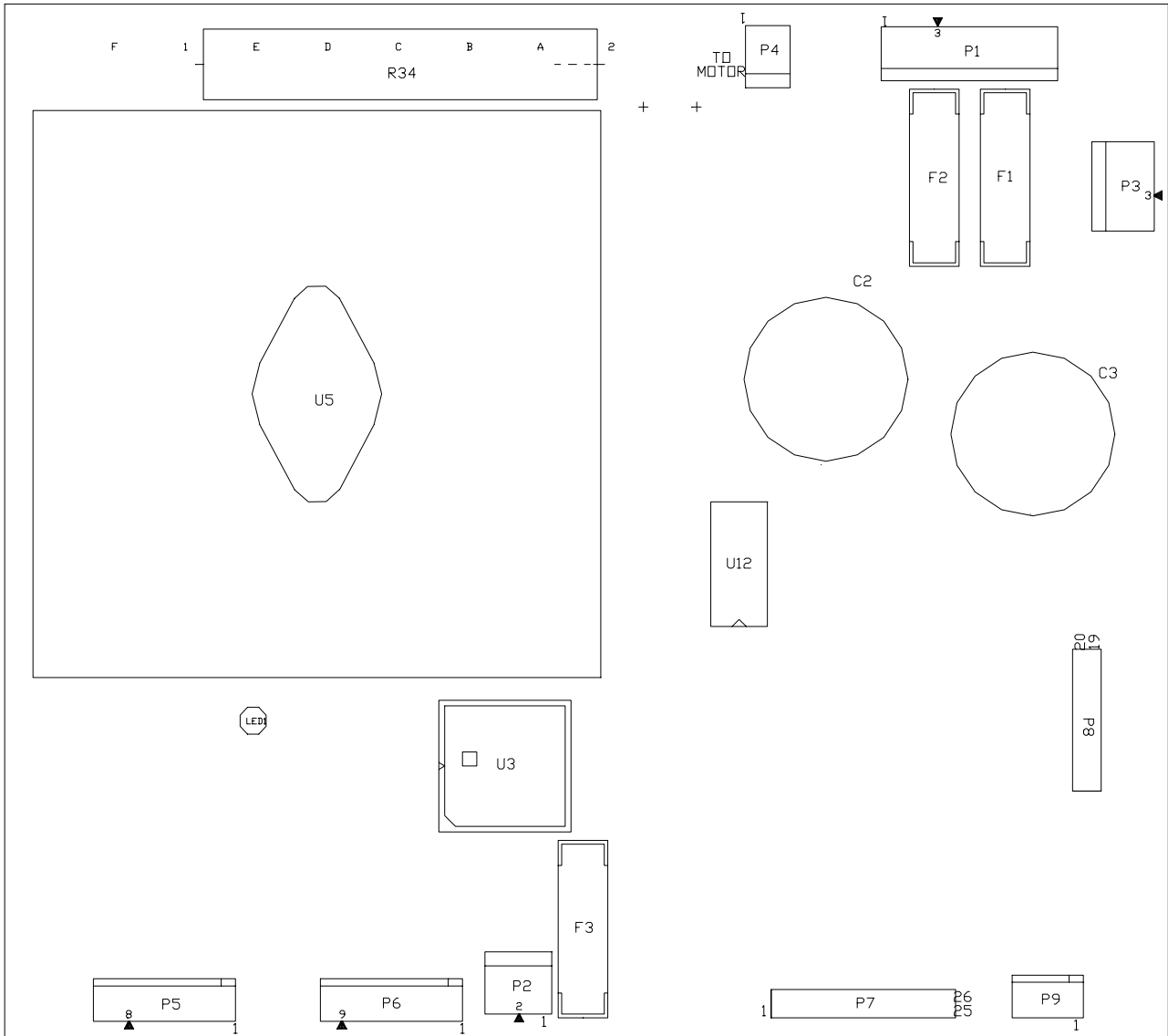
CPU Board Assembly A-22536



Field Replaceable CPU Board Parts

DESIGNATION	PART NUMBER	FUNCTION	DESCRIPTION
U47	5460-15676-00	Config Memory Backup	Module
F1, F2	5735-13853-00	Circuit Protection	2A SB Fuse 5x20mm
U2	A-5341-16431-11	Sounds	EPROM Assembly
U3	A-5341-16431-14	Sounds	EPROM Assembly
U4	A-5341-16431-15	Sounds	EPROM Assembly
U10	A-5341-16431-1	Programming & Images	EPROM Assembly
U11	A-5341-16431-2	Programming & Images	EPROM Assembly
U12	A-5341-16431-12	Programming & Images	EPROM Assembly
U13	A-5341-16431-13	Programming & Images	EPROM Assembly
U14	A-5341-16431-3	Images	EPROM Assembly
U15	A-5341-16431-4	Images	EPROM Assembly
U16	A-5341-16431-5	Images	EPROM Assembly
U17	A-5341-16431-6	Images	EPROM Assembly
U18	A-5341-16431-7	Images	EPROM Assembly
U19	A-5341-16431-8	Images	EPROM Assembly
U22	A-5341-16431-17	Images	EPROM Assembly
U23	A-5341-16431-18	Images	EPROM Assembly
U24	A-5341-16431-19	Images	EPROM Assembly
U25	A-5341-16431-20	Images	EPROM Assembly
U26	5347-16378-00	High Score Memory Backup	Module
U53	A-23250	27" Game Instructions	PIC Assembly

Wheel Driver Board 04-12770.1



Field Replaceable Board Parts

Description	Part Number	Designation
Fuse 4A SB	5731-14094-00	F1, F2
Fuse .63A FB	5731-15627-00	F3
PLD Assy Primary	A-23362	U3
PLD Assy Secondary	A-23363	U3

Supplementary Parts

Power & Protection	
AC Line Filter, 6A, 250V	5102-14240-00
Ferrite Bead, 1-1/4 SQ	5556-13956-00
Fuse Holder Panel	5733-12869-00

Cables	
Fire Wire Linking Cable, 16FT	20-10536-16
IDC Cable	H-20353
Keypad Harness	04-12928.1
Line Voltage Cable	H-23491.1
Main Wiring Harness	H-23493.2
Ribbon Cable, 26 Pin	5795-15667-48
Seat DC Power Cable	H-23277
USA DBV Acceptor Cable	H-20398

Documentation	
Caster Installation Instructions	16-11010
DBV Installation Instructions	16-9637
Game Operation Manual	16-40072-101
Product Registration Card	16-10650

Tools & Game Installation Hardware	
Bolt, ¼-20 x 1	4320-01124-16
Bulb, #161	24-8840
Bulb, #555, 6.3V, .25A	24-8768
Fuse, FB, .63A, 5x20mm	5731-15627-00
Fuse, SB, 1A, 250V	5731-06569-00
Fuse, SB, 3A, 250V	5731-10356-00
Fuse, SB, 4A, 250V	5731-06314-00
Fuse, SB, 4A, 5x20mm	5731-14094-00
Screw, #8 x 1-1/2	4108-01160-24B
Screw, Tamper Resistant, ¼-20 x 1-1/4	4020-01100-20
Torx Key, T-20	20-9620
Torx Key, T-27	20-10140
Washer, Flat, .265 x .626 x .067	4700-00135-00B
Washer, Flat, .265 x .750 x .067	4700-00033-00
Washer, Lock, Internal Tooth, ¼-20	4702-00014-00B
Washer, Split, ¼	4701-00005-00

Transformer Application Chart			
Part Number	5610-16292-00	5610-16292-01	5610-16292-00
Voltage & Country			
120 VAC USA	•		
230 VAC Europe		•	
100 VAC Japan			•

Line Cord Application Chart							
Part Number	5850-14699-01	5850-14699-02	5850-14699-03	5850-14699-00	5850-14699-04	5850-14699-05	5850-14699-06
Country							
USA	•						
UK			•				
Italy				•			
Japan							•
New Zealand						•	
Germany		•					
Spain		•					
Denmark		•					
Finland		•					
Holland		•					
Norway		•					
Switzerland					•		
Hungary		•					
Canada	•						
Austria		•					
France		•					
Australia						•	
Belgium		•					

Coin Door Application Chart																	
Part Number	09-96023-																
Country	02	03	04	06	07	09	11	13	14	15	17	18	20	22	23	24	33
USA																	•
UK (09-80000)																	
Italy									•								
Japan										•							
New Zealand											•						
Germany	•																
Spain													•				
Denmark						•											
Finland							•										
Holland								•									
Norway												•					
Switzerland														•			
Hungary															•		
Canada																•	
Austria		•															
France			•														
Australia				•													
Belgium					•												

NOTES