

## 5. Diagnostics

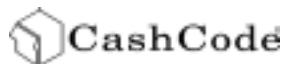
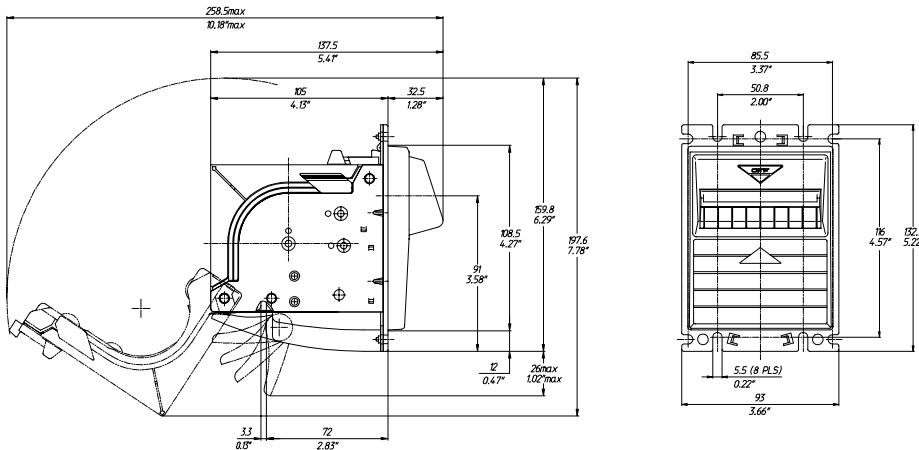
If the red light on the front of the bill validator is ON insert bill and remove it after the red light goes OFF. Count the number of red flashes and compare with the diagnostic chart below.

#	Description	#	Description
1	N/A	7	Failure of magnetic sensors
2	N/A	8	Transport motor does not move
3	N/A	9	Speed of transport motor is too high
4	N/A	10	Transport motor electrical overload
5	N/A	11	Bill pathway security latch is open
6	Failure of optical sensors	12	Banknote is in the entry slot of the cassette and credit's not issued

### Notes:

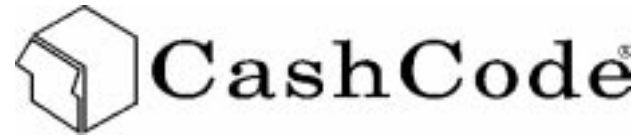
- If the bill was inserted but the red light on the front of the bill validator did not go OFF there is a failure in communication.
- When diagnostics is completed the red light becomes steady again. Do not consider it as a flash and do not count it.

## 6. Dimensions



CashCode Company Inc.  
553 Basaltic Rd. Concord, Ontario Canada. L4K 4W8  
TEL: (905) 303-8874 (800)-584-2633  
FAX: (905) 303-8875 (800)-593-2633

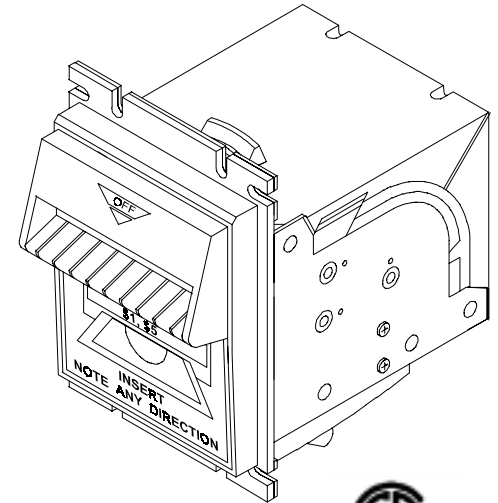
© 1998-1999, CashCode Co. Inc PT# UG\_BV05XC2 Rev.E1 07/99



## 12V Stackerless Bill Validator User's Guide

### US2-PLS-BV05

### Model AMZ-USA-154 for Pulse Interfaces



### 1. General Specifications:

CURRENCY: \$1, \$5 USA Dollars

INTERFACES: Pulse Interface

#### ELECTRICAL SPECIFICATION:

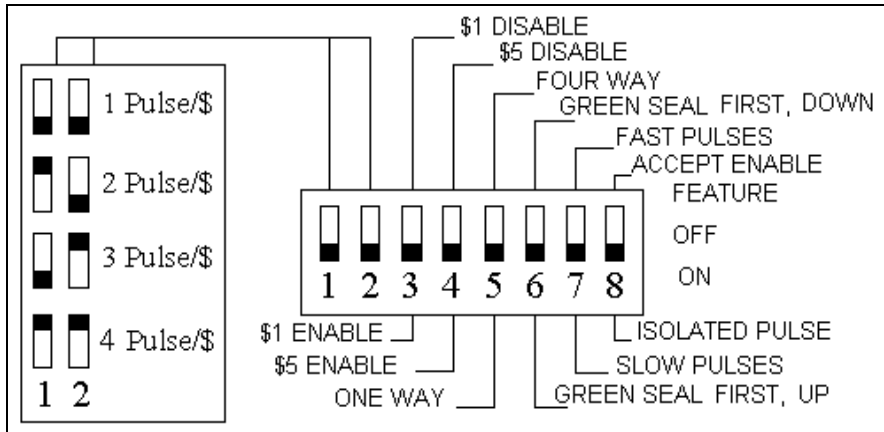
Operating Voltage	Maximum Operating Current	Maximum Current
12...14 V DC	0.55 A DC	0.6 A DC

Use only current limiting CSA or UL recognized CLASS 2 Power Supply.

OPERATING TEMPERATURE: -0 to +50 degrees Celsius

ENCLOSURE: Bill Validator Part #: US2-PLS-BV05  
User's Guide: Part # OPT-UG-BV05C2  
Accessories: Power Harness, Part # AMZ-XXX-12-06  
Front Label, Part # AMZ-LB-US2

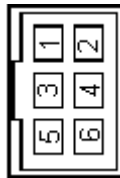
## 2. DIP switches layout:



## 3. Connector pinout

### 6 pin connector pinout

Pin	DESCRIPTION	WIRE COLOUR
1	+12V DC	Yellow
2	GND	Black
3	Pulse Output (NO)	Green
4	Common	Blue
5	Inhibit Line (+)	White
6	Inhibit Line (-)	Brown



Mating connector:

**MOLEX:** 15-04-5064 -1pcs; 50-57-9303 -2pcs; 16-02-0096 -6pcs;

## 4. Interfaces

### Pulse Interface Specifications:

Fast Pulses: Pulse 50 ms - Pause 50 ms  
 Slow Pulses: Pulse 50 ms - Pause 300 ms  
 Pulse modes: 1pulse; 2pulses; 3pulses; 4pulses /\$1  
 Features: Pulse accumulation mode and Inhibit line  
 Isolated and Non-isolated Pulse output

### ISOLATED PULSE Interface (INHIBIT LINE feature disabled)

1. Set DIP Switch **8 to ON** position.
2. Use 6 Pin Power Harness PT# AMZ-XXX-12-06. The Pulse Output is a bounce free N/O contact and polarity of the output wiring does not matter.

### ISOLATED PULSE Interface (INHIBIT LINE feature enabled)

1. Set DIP Switch **8 to OFF** position.
2. Connect the bill acceptor to the machine controller via 6 Pin Power Harness PT# AMZ-XXX-12-06. The Pulse Output is a bounce free N/O contact and the polarity of the output connection does not matter.
3. Connection to the INHIBIT LINE depends on the machine controller lockout circuitry. See figure below:

