

1

2

3

4

5

DRAWING NO.

pill die line

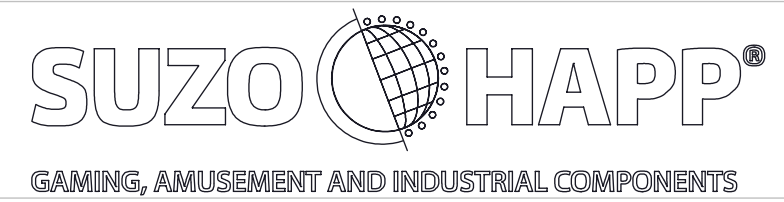
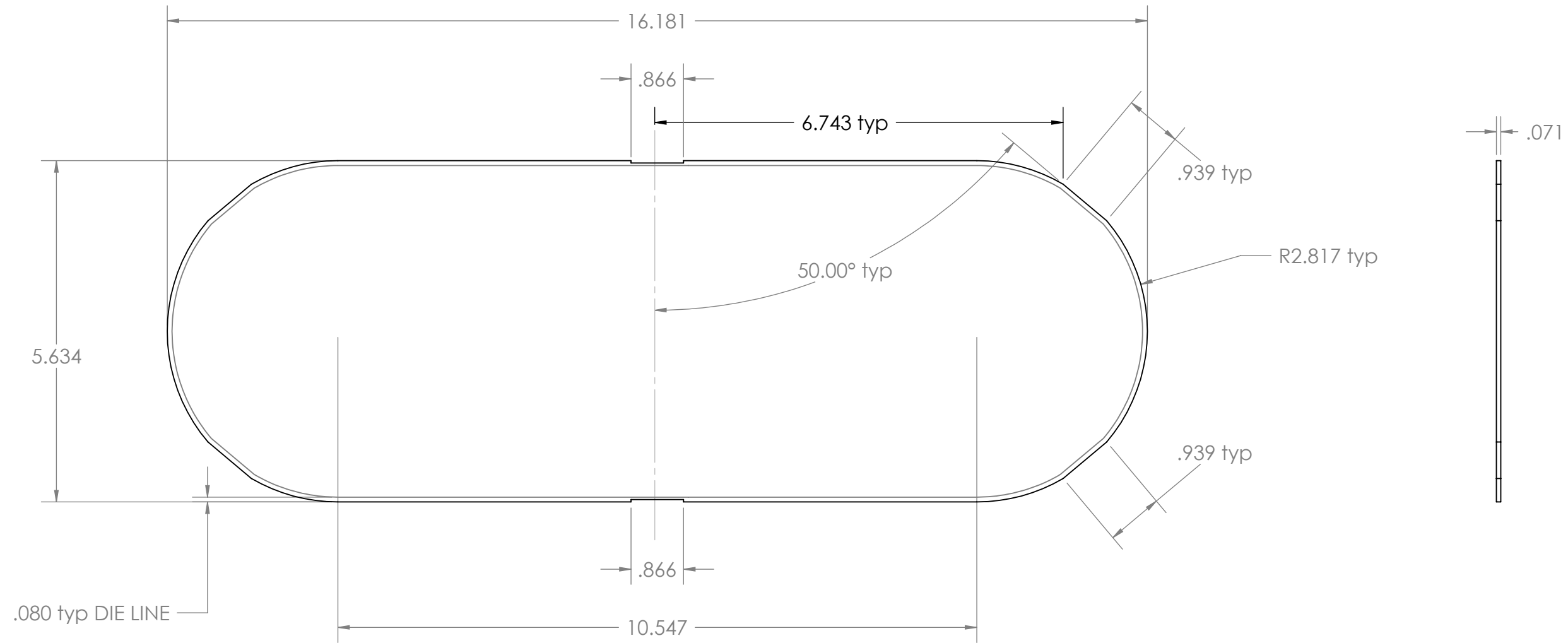
REV.	ZONE	DESCRIPTION	E.C.N. #	BY	DATE
A	-	INITIAL RELEASE	-	FAC	11/13/08

D

C

B

A



DRAWING NAME
IGT PILL TOPPER DIE LINE

TOLERANCES ARE:
 FRACTIONS DECIMALS ANGLES
 $\pm 1/32$ XX $\pm .01$ $\pm 0^{\circ}30'$
 XXX $\pm .005$
 UNLESS OTHERWISE SPECIFIED,
 DIMENSIONS ARE IN INCHES.

DO NOT SCALE DRAWING.
 THIS PRINT IS THE PROPERTY OF HAPP CONTROLS INC.
 AND SHALL NOT BE REPRODUCED, COPIED NOR DISCLOSED
 TO OTHERS. PRINT TO BE RETURNED UPON REQUEST.

DRAWN BY	FAC	DATE	11/13/08	CHECKED BY		DATE	
SIZE	B	SCALE	1 : 3	DRAWING NO.	pill die line		REV.
SHEET			1 of 2				A