

### FEATURES:

- The RF controller is specially designed for controlling LED multi-color changing patterns
- Its slim and delicate shape enables a no-sweat installation
- The design flexibility on LED fittings will be enhanced enormously
- The included wireless controller system allows for easy set-up and alterations to the color-changing theme

### SPECIFICATIONS:

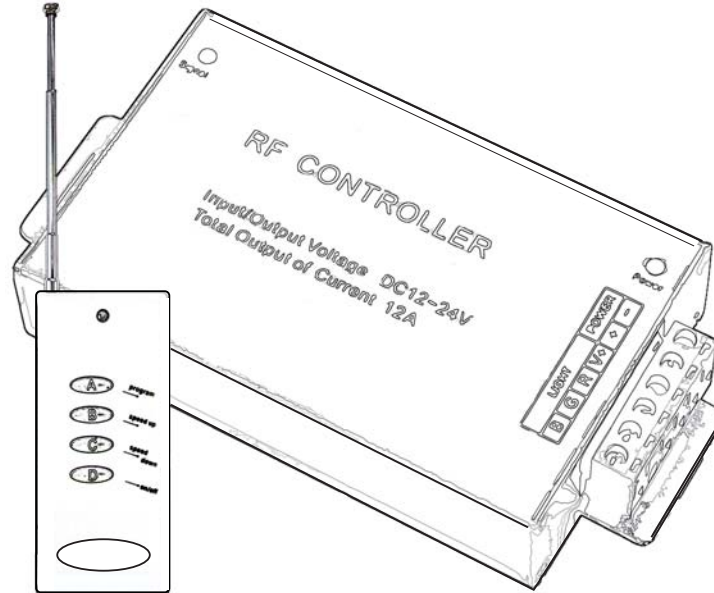
- **Working Temperature:** -20° – 60°C
- **Supply Voltage:** DC12V~24V
- **Product Size:** L130 x W64 x H24 mm
- **Package Size:** L160 x W95 x H51 mm
- **Net Weight:** 185g
- **Gross Weight:** 220g
- **Output:** Three CMOS drain-open output
- **Connecting Mode:** Common anode
- **Max Output Current:** 4 A each color



### CONTROL METHOD:

Adopt RF control method, function of each button as below:

- **Button "A":** A major function key — Press one time, one pattern will appear
- **Button "B":** To speed up color changing
- **Button "C":** To speed down color changing
- **Button "D":** Output switch



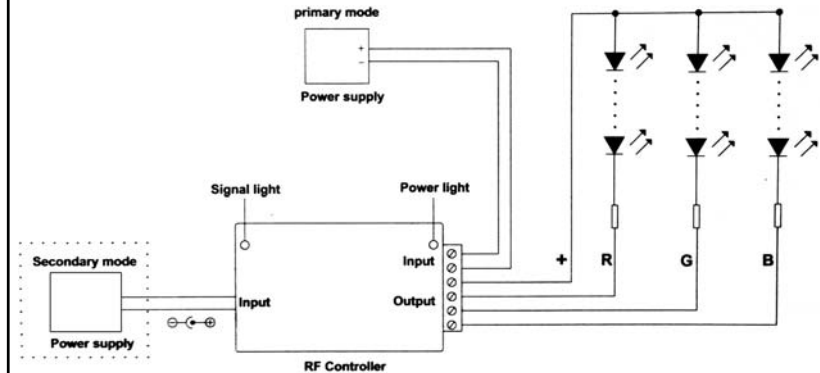
### PATTERN TABLE:

ITEM	PATTERNS	REMARKS
1	STATIC RED	
2	STATIC GREEN	
3	STATIC YELLOW	
4	STATIC BLUE	
5	STATIC PURPLE	
6	STATIC CYAN	
7	STATIC WHITE	
8	3 COLOR STEP CHANGE	BUTTON "B" AND "C" IS VALID
9	7 COLOR STEP CHANGE	BUTTON "B" AND "C" IS VALID
10	3 COLOR FADE CHANGE	BUTTON "B" AND "C" IS VALID
11	7 COLOR FADE CHANGE	BUTTON "B" AND "C" IS VALID

INSTRUCTIONS FOR PART NUMBER: 91-0536-00

### SAFETY INFORMATION:

1. The input voltage of the controller **must** follow the specifications — Higher voltage than specified voltage can cause destruction of the unit!
2. Careful connection of the 4 wires exiting the controller is required — incorrect interconnection will cause a short circuit to occur
3. Connect the wires of the controller and the LED fittings as per the connection diagram
4. The label on the controller must remain intact on the unit
5. One year manufacturer warranty (damage due to wrongful or negligent operation is excluded)



**NOTE: Only one power supply will be connected to the RF Controller primary or secondary mode.**