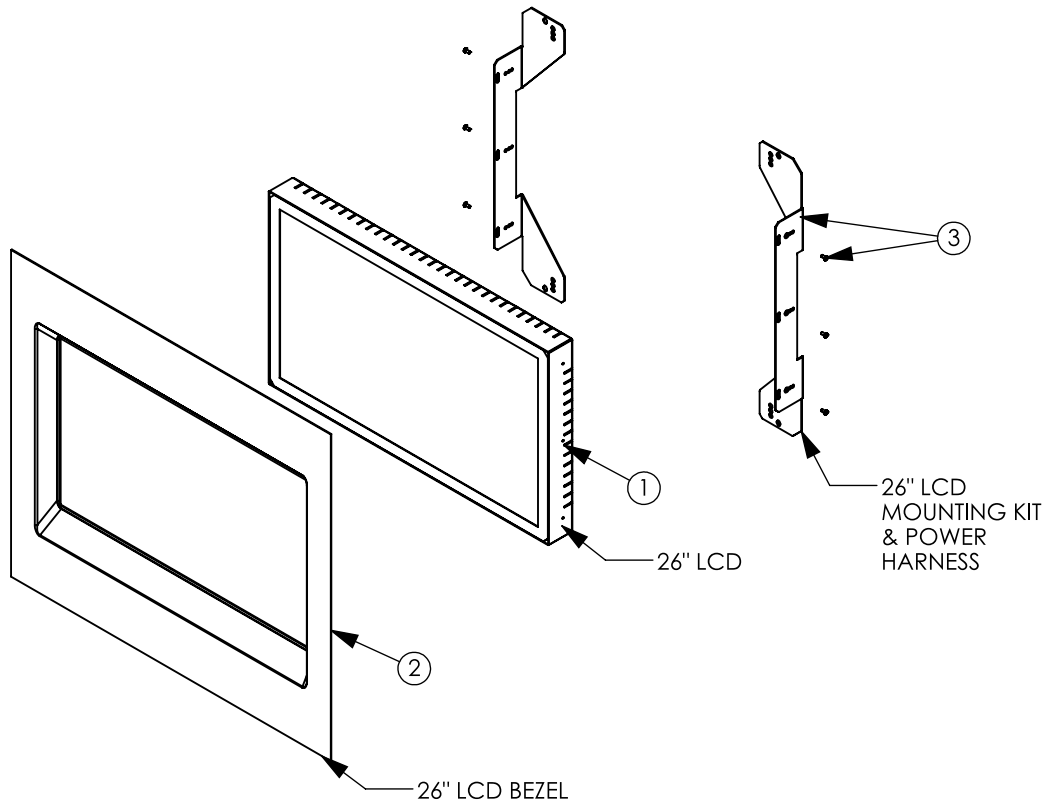


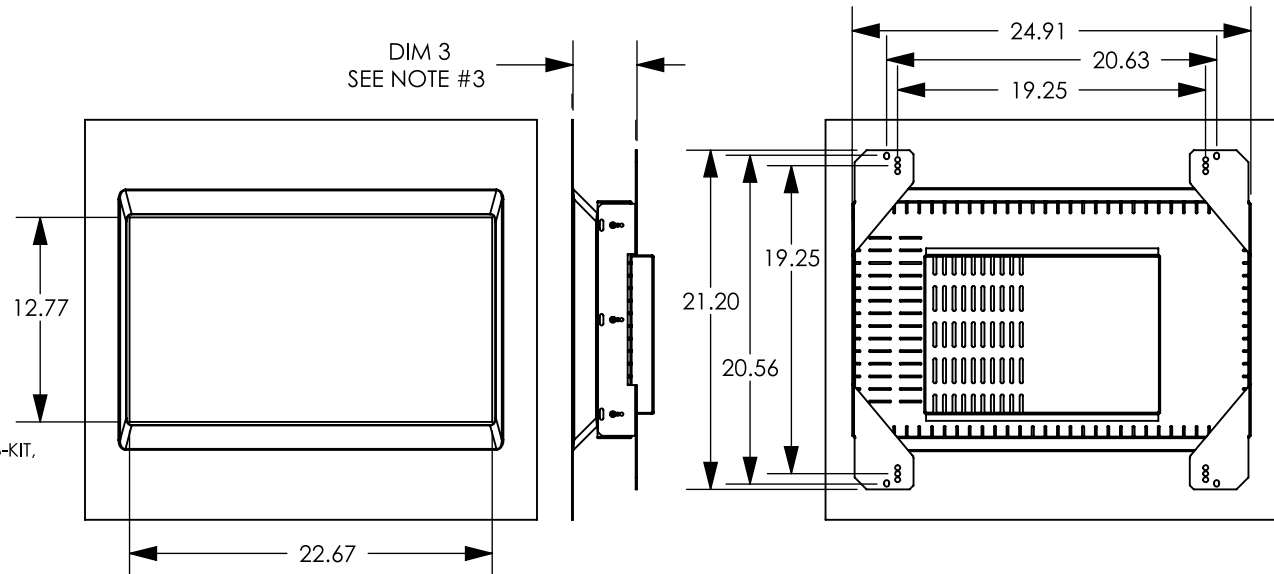
26" LCD CONVERSION KITS

ITEM NO.	QTY.	PART NO.	DESCRIPTION
1	1	49-2861-00	MAKVISION 26" MULTI-SYNC OPEN FRAME LCD CGA/XGA
2	1	49-7627-XX	PLASTIC BEZEL F/25" MONITOR #701
3	1	49-2906-KIT	26" LCD MOUNTING KIT AND POWER HARNESS



NOTES:

- ITEMS PART OF 49-2906-KIT (26" LCD MOUNTING KIT AND POWER HARNESS)
 - 49-2906-00 SIDE MOUNTING BRACKET FOR 26" LCD CONVERSION KIT QTY. (2)
 - 140-010-422 SCREW M4 X 10MM PH FH zinc QTY. (6)
 - 49-2900-00 HARNESS ADAPTER POWER QTY. (1) (ITEM NOT SHOWN)
- 26" LCD BEZEL (49-7627-XX) AND 26" LCD (49-2861-00) AREN'T PART OF 49-2906-KIT, THOSE ITEMS ARE SOLD SEPARATE LIKE INDIVIDUAL ITEMS
- DIM#3 COULD BE ADJUSTED TO THE FOLLOWING DIMS; 4.70", 4.00", 3.70", 3.45"



INS-0179

INSTALLATION INSTRUCTIONS FOR 26"LCD CONVERSION KITS
FOR MIDWAY DRIVING CABINETS

INSTRUCTIONS TO REMOVE VGA MONITOR FROM MIDWAY CABINET

- UNPLUG ALL POWER LINES FROM OUTLET AND REMOVE POWER CORD FROM UNIT
- OPEN AND REMOVE ALL CABINET DOORS (BACK DOOR & FRONT BEZEL).
- DISCONNECT POWER PLUG FROM EXISTENT CRT (25" OR 27")

WARNING!!! IF YOU ARE IN THE LEAST UNSURE HOW TO PROCEED WITH MAKING SURE THE CRT IS FULLY DISCHARGED CONTACT A QUALIFIED MONITOR SERVICE TECHNICIAN. THERE ARE POTENTIALLY LETHAL VOLTAGES PRESENT EVEN IF THE UNIT HAS BEEN UNPOWERED AND UNPLUGGED FOR A PERIOD OF TIME.

- DISCHARGE ANY STORED VOLTAGE FROM THE CRT. BEFORE REMOVING CRT (MONITOR). WHEN REMOVING ACTUAL CRT SAVE THE (4) 5/16-18 NUT AND SPRING WASHERS FROM THE FOUR CORNERS AS THESE WILL BE USED TO ATTACH THE FRAME ON THE MAIN FRAME CABINET
- CLEAN CABINET WITH AIR SPRAY AND/OR SOFT BRUSH.

INSTRUCTIONS TO INSTALL 26" LCD CONVERSION KIT

- Take new mounting adapter brackets (49-2906-00) and mount them to the right and left sides of the new 26" LCD, using same screws that come with LCD, (8) M4X.7X6MM screws. (4 screws either side).
- With the new brackets mounted on the LCD place it over existing mounting holes from which the old CRT was mounted
- Plug CGA or VGA connector from the game board output into the input section of the 26" LCD
- Plug new power harness (49-2900-00) from the kit into the existing power plug where the CRT was powered from and plug other end into LCD
- Install the custom fitted bezel (49-7627-XX) to the front of the cabinet (Note: depending on depth of cabinet mounting hole positions might have to be adjusted to provide best fit).

INSTRUCTIONS TO SET UP LCD ON MIDWAYS CABINETS

- WHEN THE UNIT IS POWERED UP THE GREEN LED ON THE LCD REMOTE CONTROL BOARD SHOULD LIGHT UP.
- THE CABINET WILL BEEP AS THE UNIT RUNS THROUGH IT'S POWER UP SEQUENCE.
- PRESS THE "AUTO" BUTTON ON THE LCD REMOTE CONTROL BOARD TO LOCK THE LCD MONITOR TO THE VIDEO SIGNAL BEING SUPPLIED BY THE GAME CABINET.

GENERAL INFORMATION

- THIS 26" LCD CONVERSION KIT IS FOR CURRENT KNOWN FUNCTIONING MACHINES
- SCREWS, M4X10MM PH FT HD (140-010-422) WILL BE USED ONLY FOR BLITZ 99, NBA SHOW TIME CABINETS. FOR THE REST OF CABINETS WILL BE USED SAME SCREWS THAT COME WITH LCD, (8) M4X.7X6MM SCREWS, (4 SCREWS EITHER SIDE)
- TO INSTALL 26" LCD BEZEL 49-7627-C ON "IT GT GOLF" CABINET, CABINET NEEDS TO BE MODIFIED TO INCREASE INSIDE WIDTH DIM ABOUT 1" (1/2" EACH SIDE)