



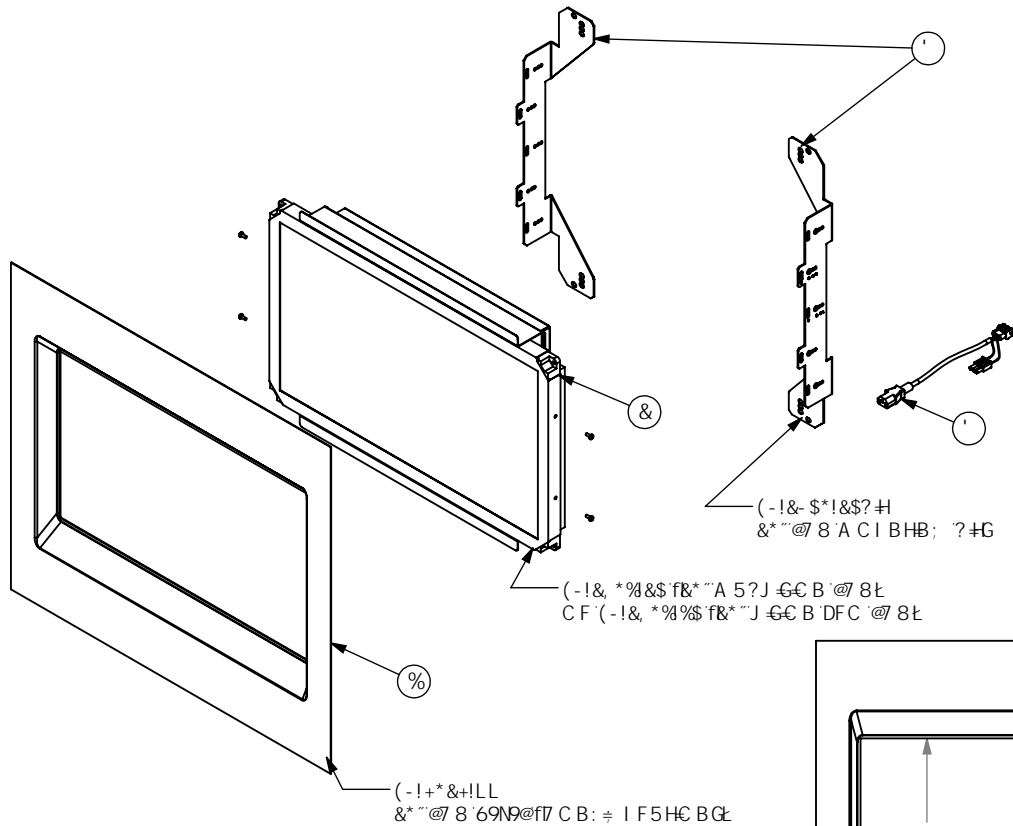
&* "J = G = CB DFC ? = H

#9A "BC"	E HM	D5FHBC "	8 9G7 F -DHCB
%	%	(-!+* &+!LL	A C B #C F '69N9@: #&* " @ 8 'A C B #C F 'LL ! '89BC H9G; 5A 9 G A9L
&	%	(-!& *%& \$	&* " J -G C B DFC @ 8 'A C B #C F 7; 5 #J; 5 'K #C 'H C I 7 <G7 F 99B
'	%	(-!& - \$*!J D? H	&* " J -G C B DFC @ 8 'A C I BHB; ? #15B8 DC K 9F <5FB9GG

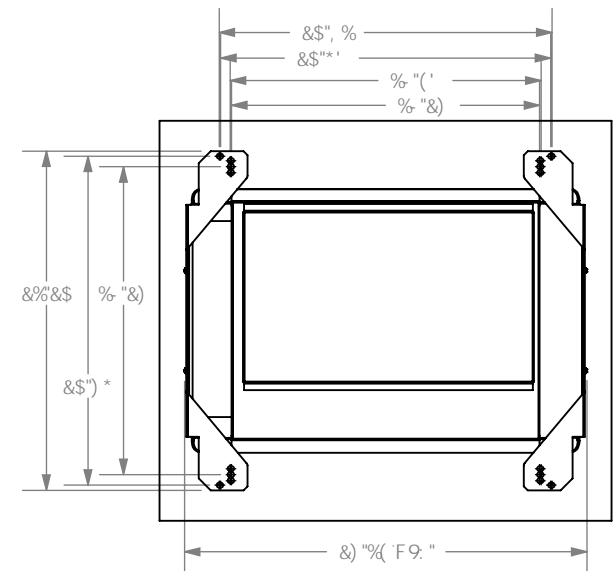
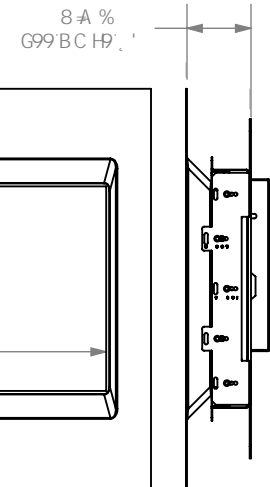
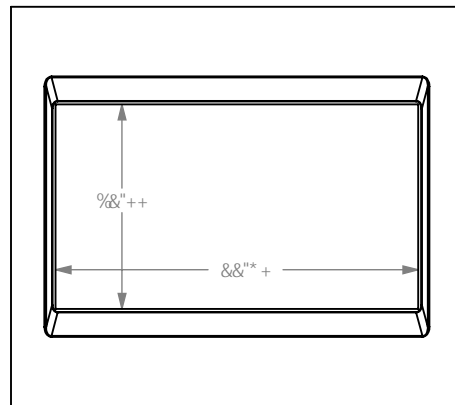


&* "A 5?J = G = CB ? = H

#9A "BC"	E HM	D5FHBC "	8 9G7 F -DHCB
%	%	(-!+* &+!LL	A C B #C F '69N9@: #&* " @ 8 'A C B #C F 'LL ! '89BC H9G; 5A 9 G A9L
&	%	(-!& - \$*!&\$?	&* " @ 8 'A C I BHB; ? #15B8 DC K 9F <5FB9GG
'	%	(-!& *%& \$	&* " A 5?J -G C B @ 8



BC H9G
%LHC "BGH @&* " J -G C B DFC @ 8 f (-!& *%& \$ %C F &* " A 5?J -G C B @ 8 f (-!& *%& \$ L
" " I G9A C I BHB; ? # (-!& - \$*!&\$? #
&L &* " @ 8 '69N9@ f (-!+* &+!LL 5B8 &* " @ 8 G f (-!& *%& \$ # (-!& *%& \$ L 5 F 9 B #H D5FH C:
" " A C I BHB; ? # (-!& - \$*!&\$? # " H C G9 +9A G 5 F 9 G C @ 8 G9D5F5H9 @ 9 # 8 ÷ ÷ 8 I 5 @ 9A G
" L 8 A " % 7 C I @ 8 '6958 ÷ I G98 H C H 9: C @ C K B; 8 A G) "\$ \$ Z (" \$ Z (" \$ Z " +"
" " G99 G < 99 H G / " : C F A C F 9 B; C F A 5 H C B



B G \$ % + - ! & \$

R P UVCNNC VQ P R P UVT WE VQ P UHQ T 486 NEF E Q P XGT UQ P M K V U
HQT O R F Y C I F T R K R I E CDR GVU

R P UVT WE VQ P U V Q T G O Q X G X I C O Q P W Q T H T Q O O H F Y C I E C D R G V

""3 < W R N W I C N N R O Y G T N R G U H T Q O Q W N G V C P F T G O Q X G R O Y G T E Q T F H T Q O W P K V
""4 < Q R G P C P F T G O Q X G C N N E C D R G V F Q Q T U * D C E M F Q Q T (H T Q P V D G I G N O
""5 O F H E Q P P G E V R Q Y G T R N W I H T Q O G Z R V G P V E T V * 4 7 S Q T 4 9 S +
""6 -

" Y C T P R P I # # H I Q W C T G R V J G N G C U V W P U W I G J Q Y V O R T O E G G F Y K V J O C M R P I U W I G V J G'
E T V K U H W N I F H E J C T I G F E Q P V C E V C S W C N H G F O Q P H Q T U G T X E G V G E J P H E K P O'
V J G T G C T G R Q V G P V C N N I N G V J C N X Q N V C I G U R T G U G V G X G P H F V J G W P K V J C U D G G P'
W P R Q Y G T G F C P F W P R N W I G F H Q T C R G T K Q F Q H V I O G O

""6 < F H E J C T I G C P I U V O T G F X Q N V C I G H T Q O V J G E T V O D G H Q T G T G O Q X R I E T V * O Q P K Q T O'
""7 < Y J G P T G O Q X R I C E V W C N E T V C U X G V J G * 6 + 7 B 8 / 3 P W C P F U R T I P I Y C U I G T U'
""8 < H T Q O V J G H Q W I E Q T P G T U C U V J G U G Y K N N D G W G F V O C V C V E J V J G H I C O G Q P V J G'
""9 < O C R H I C O G E C D R G V'
""10 < E N G C P E C D R G V Y K V C K T U R T I C I C P F Q T U Q H V D T W U J O

R P UVT WE VQ P U V Q R P UVCN N 48 \$ NEF E Q P XGT UQ P M K V "

30 Vcng'o qwpvpi 'cf cr vt 'dtcengvu'6; /4; 28/42 'hqt' O cnxkukqp 'NEF' 'TXkukqp' R tq 'NEF' 'cpf' o qwpv'j go "
vq' y' g' l' k' j v' c' p' f' h' g' h' u' k' g' u' q' h' v' j' g' p' g' y' '48 \$ NEF. 'wukpi' 'uco' g' l' e' t' g' y' u' v' c' v' e' q' o' g' y' k' j' 'NEF. '8' q' t' 6 +'
O 6 Z 0 Z 3 2 0 O 'u' e' t' g' y' u' * 5 ' q' t' 4 ' u' e' t' g' y' u' g' k' j' g' t' u' k' f' g' 0 U g g ' c' d' n' g' ' a' p' p' g' z' v' r' c' i' g' u' h' q' t' 'u' e' t' g' y' j' q' g'
r' q' u' k' k' q' p' h' q' t' g' e' j' 'e' c' d' i' p' g' v' e' a' p' h' i' w' e' v' a' p' d'

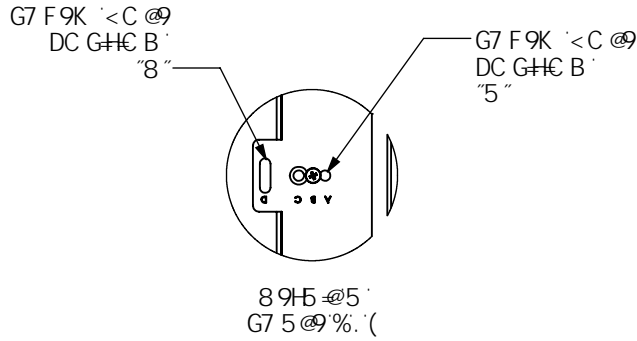
40 Y k j ' y ' g ' p' g' y' 'd' t' c' e' n' g' u' o' q' w' p' g' f' 'q' p' ' y ' g' ' N E F ' r' n' e' g' ' k' v' q' x' g' t' ' g' z' k' u' k' p' i' o' q' w' p' v' j' ' j' ' q' r' u' "
"" h' q' o' ' y ' j' l' e' j' ' y ' g' ' q' r' f' ' E T V ' y' c' u' o' q' w' p' g' f' "
50 R n i ' E I ' C ' q' t' ' X I ' C ' e' a' p' p' e' v' a' t' ' h' t' q' o' ' y ' g' t' i' c' o' g' d' q' c' t' f' ' q' w' r' w' l' p' v' q' ' y ' g' l' p' r' w' l' u' g' e' v' a' p' "
"" q' h' y' g' 48 \$ NEF "
60 R n i ' p' g' y' ' r' q' y' g' t' j' c' t' p' g' u' i' * 6; / 4; 2 2 / 2 2 - h' t' q' o' ' y ' g' n' k' v' p' v' q' ' y ' g' z' k' u' k' p' i' ' r' q' y' g' t' r' n' i' ' y ' j' g' t' g' y' g' E T V "
"" y' c' u' l' q' y' g' t' g' f' ' h' t' q' o' ' c' p' f' ' r' n' i' ' q' v' j' g' t' g' p' f' ' l' p' v' q' ' N E F " "
70 h' p' u' c' n' f' j' g' e' v' u' n' q' o' ' h' k' v' g' f' ' N E F ' o' a' p' k' q' t' ' d' g' i' g' n' * 6; / 9 8 4 9 / Z Z + v' q' ' y ' g' h' t' q' p' v' q' h' y' g' e' c' d' i' p' g' v' * P q' v' g' <'
f' g' r' g' p' f' l' p' i' ' q' p' t' g' r' y' ' q' h' i' e' c' d' i' p' g' v' o' q' w' p' v' j' ' j' ' q' n' g' t' q' u' k' k' q' u' o' i' k' j' v' j' c' x' g' v' q' d' g' e' f' l' w' u' g' f' ' q' r' t' q' x' k' f' g' d' g' u' v' h' s' o'

R P UVT WE VQ P U V Q U G V W R NEF Q P O H F Y C I U E C D R G V U

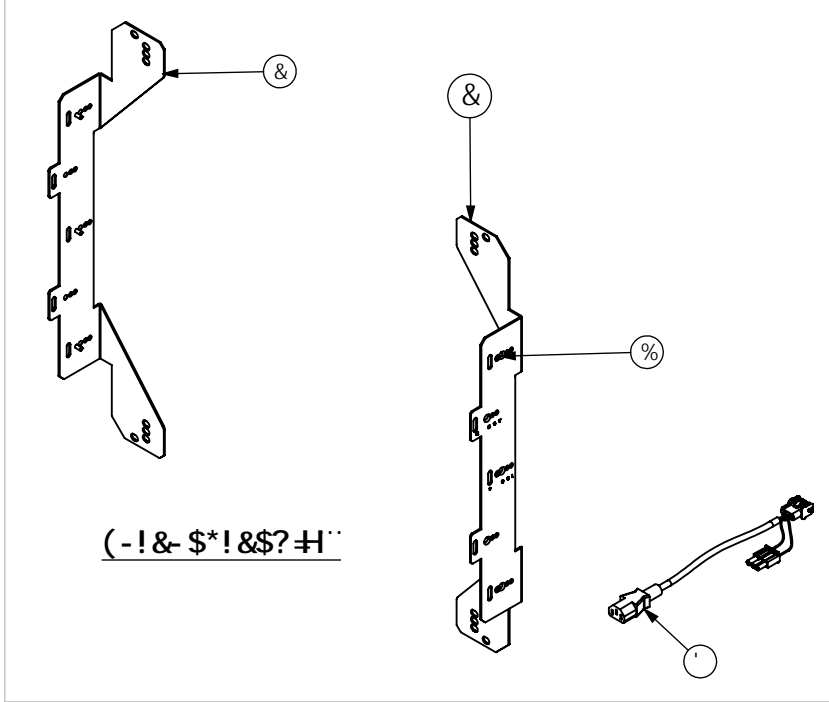
""3 < Y J G P V J G W P K V R U R O Y G T G F W R V J G T G G P N G F Q P V J G N E F T G O Q V G E Q P V T Q N D Q C T F "
""4 < U Q W N F N H J V W R O
""5 < V J G E C D R G V Y K N N D G G R C U V J G W P K V T W P U V J T O W J J W A U R O Y G T W R U G S W G P E G O
""6 < R T G U U V J G C W Q G S D W W Q P Q P V J G N E F T G O Q V G E Q P V T Q N D Q C T F V Q N Q E M V J G N E F "
""7 < O Q P K Q T V Q V J G X H G Q U K P C N D G R I U W R R N G F D I V J G T C O G E C D R G V O

I G P G T C N R H Q T O C V I Q P

""3 < V J K U 4 8 6 N E F E Q P X G T U Q P M K V K U H O T E W T T G P V M P Q Y P H W P E V I Q P R I O C E J R P G U
""4 < O U E T G Y U O 6 Z 3 2 0 O R J H V J F " 3 6 2 / 2 3 2 / 6 4 4 + Y K N N D G W G F Q P N I H O T D N K A " ; ; "
""5 < P D C U J Q Y V I O G E C D R G V U H Q T V J G T G U V Q H E C D R G V U Y K N N D G W G F U C O G U E T G Y U
""6 < V J C V E Q O G Y K V N E F " 8 q t 6 - O 6 Z 0 Z 3 2 0 O U E T G Y U P * 5 q t 4 U E T G Y U G K V J G T U E F G "
""7 < P Q V G V Q R P UVCN N 48 \$ NEF D G A G N U 6; / 9 8 4 9 / E I D Q P S K T V I Q N H Q T R I C V Q W T I Q N H E C D R G V U
""8 < E C D R G V U P G G F V Q D G O Q F H H G F V Q R E T G C U G R U R E G Y F E V J F O C D Q W W 3 S * 3 4 S G C E J U E F G "



G89J 9K
C: 7 CA D@H
&* @ 8
7 CBJ 9FGC B ? #
HC G<CK 8A %



(-!&-\$*!&\$?#H



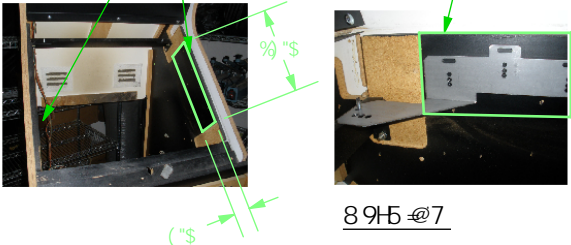
6CA 'C: (-!&-\$*!&\$?#H' &* @ 8' ACI BHB; ?#H'5B8'DCK 9F' <5FB9GG

#9A 'BC" E HM	D5FHBC "	89G7 F-@HC B
% *	%(\$!%\$!(&&	G7 F9K ZA ('L'%\$'A A 'D<: @5H<958
&	&(-!&-\$*!&\$	G89A C I BHB; '6F57?9H: #&* @ 8' J D/ 'A 5?J '7 CBJ ?#G
'	%(-!&-\$!\$	<5FB9GG585DHF 'DC K 9F: C F' &* @ 8' ?#H A -8K 5M8FJ -B; ; 5A 9G

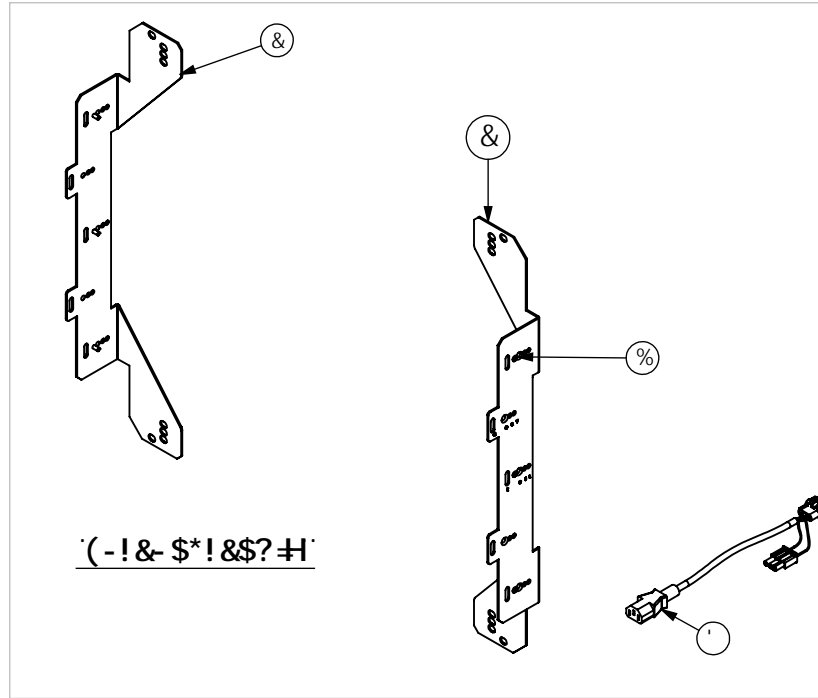
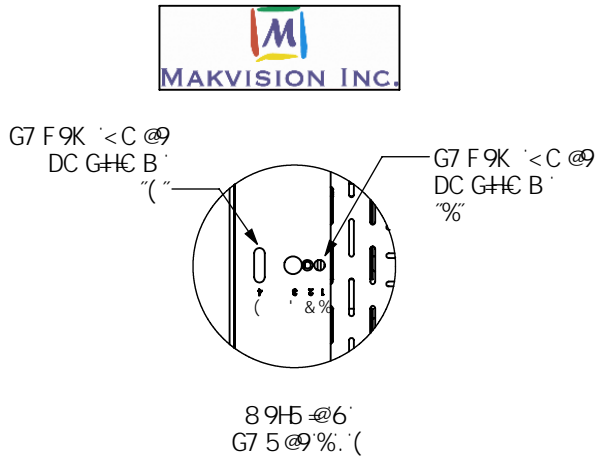
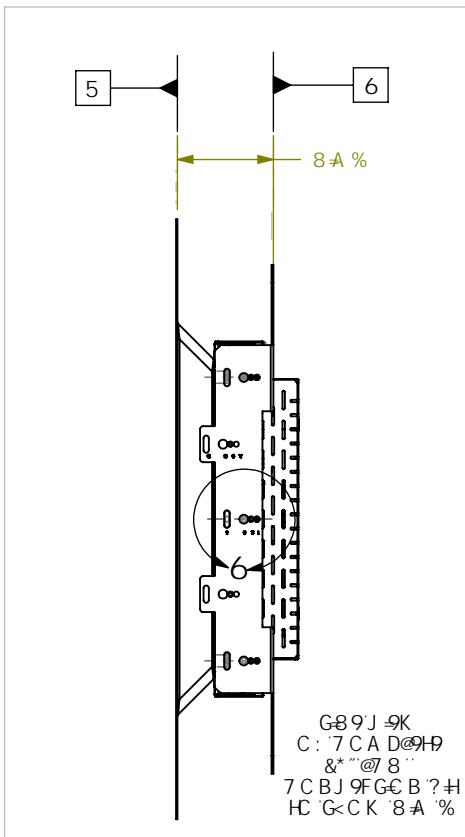
5F95GHC '697I H@F C:: 'FCA 'D: 5'HC I F/ #; C@ 756B9HG
'B G89K 5@GHC 'B G5 @
&* @ 8/ : F5A 9

H56@HC '89B#MG7F9K <C @ @ 75HC B 'C B' ACI BHB; '6F57?9GHC 'B G5 @CB &* J -GCB DFC @ 8: CF &* @ 8' 7 CBJ 9FGC B ?#H

	8 A % 69K 99B D@B 9G5/ 6	G7 F9K <C @ DC G+HC B fB 9H5 @5L	&* @ 8 fJ -GCB DFC L	&* @ 8 69N9@	&* @ 8 A C I BHB; ?#H	BCH9 HC 'B G5 @ 7 CBJ 9FGC B ?#H
; 5A 9'756B9H	("\$\$	6	(-!&,*%\$	(-!+*&+15	(-!&-\$*!&\$?#H	I G9'G5A 9'G7 F9K GH<5H7 CA 9'CB @ 8
<MBFC Hk I B89F	("\$\$	6	(-!&,*%\$	(-!+*&+15	(-!&-\$*!&\$?#H	I G9'G5A 9'G7 F9K GH<5H7 CA 9'CB @ 8
C:: 'FC 58 Hk I B89F	("\$\$	6	(-!&,*%\$	(-!+*&+15	(-!&-\$*!&\$?#H	I G9'G5A 9'G7 F9K GH<5H7 CA 9'CB @ 8
7 FI -GFB' I G5	("\$\$	6	(-!&,*%\$	(-!+*&+15	(-!&-\$*!&\$?#H	I G9'G5A 9'G7 F9K GH<5H7 CA 9'CB @ 8
D; 5'HC I F ; C@	("\$\$	6	(-!&,*%\$	(-!+*&+16	(-!&-\$*!&\$?#H	756B9HB998GHC '69A C8 = 98ZG99BCH9 & I G9'G5A 9'G7 F9K GH<5H7 CA 9'CB @ 8
#; C@	'"+)	5	(-!&,*%\$	(-!+*&+17	(-!&-\$*!&\$?#H	756B9HB998GHC '69A C8 = 98ZG99BCH9 & I G9'G5A 9'G7 F9K GH<5H7 CA 9'CB @ 8
6@H--	(" \$	7	(-!&,*%\$	(-!+*&+18	(-!&-\$*!&\$?#H	I G9'G7 F9K '%(\$!%\$!(&&
B65'G<CK 'HA 9	(" \$	7	(-!&,*%\$	(-!+*&+18	(-!&-\$*!&\$?#H	I G9'G7 F9K '%(\$!%\$!(&&
7 FI -GFB 9LC H7 5) "\$	8	(-!&,*%\$	(-!+*&+19	(-!&-\$*!&\$?#H	I G9'G5A 9'G7 F9K GH<5H7 CA 9'CB @ 8

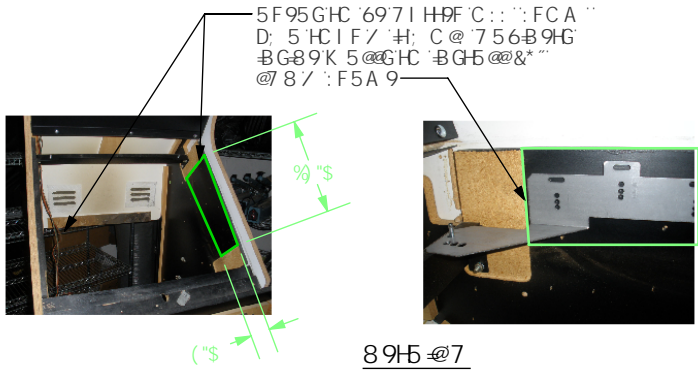


BC H9
%L'G89J 9K 'C: 7 CA D@H 7 CBJ 9FGC B ?#H G
..... C F'9: 9F9B 7 9CB @M
&'L'HC 'A C I B H &* @ 8' 7 CBJ 9FGC B ?#H (-!&-\$*!&\$?#H
..... C B D: 5'HC I F/ #; C@ 756B9HG 756B9HG
..... B 998 'HC '69A C8 = 98Z7 I HB; 'C: 'A 5H@F 5@
..... % 'L' ("L") \$ "899DZ6C Hk 'B H@FB5 @G8 9GHC <5J 9'
..... 9BC I; < GD57 9'fB99D7 H F9GC B 89H5 @7 LHC
..... 'B G5 @ &* @ 8' 7 CBJ 9FGC B ?#H
'L' I G9'G7 F9K ZA (L'%A A : @5H<958 'f%(\$!%\$!(&&
..... HC 'B G5 @A C I BHB; '6F57?9GCB &* @ 8: C F'
..... 6@H-- '5B8 B65'G<CK HA 9756B9HG
..... C F Hk 9F9GHC : A -8K 5M756B9GI G9'G5A 9'
..... G7 F9K GH<5H7 CA 9K Hk &* @ 8
..... HC 'B G5 @A C I BHB; '6F57?9GCB &* @ 8



6CA 'C: (-!&-\$*!&\$?+H' @8' A CI BH-B; ?H' 5B8' DCK 9F' <5FB9GG

#9A 'BC "	E HM	D5FHBC "	89G7 F #€ H C B
%	*	%(\$!\$%\$!(&&	G7 F9K ZA ('L' %\$ A 'D': @5H<958
&	&	(-!&-\$*!&\$	G89A CI BH-B; '6F57?9H: #&* @ 8' J D/ 'A 5?J '7C BJ ?+G
'	%	(-!&-\$!\$	<5FB9GG585DHF DCK 9F': CF &* @ 8 ?HA -8K 5M8F# B; ; 5A 9G



H56@HC '89BH# MG7 F9K <C @ @ 75HC B 'CB 'A CI BH-B; '6F57?9GHC ' B G5 @€ CB &* 'A 5?J -€ CB @ 8: CF &* @ 8 '7C BJ 9FG€ B ?+G

; 5A 9'756-B9H	8-A % 69K 99B D@B 9G5/ '6	G7 F9K <C @ DC G#€ B fB 9H5 @€ 6	&* @ 8 fA 5?J -€ B L	&* @ 8 69N9@	&* @ 8 A CI BH-B; ?H	BC H9 HC ' B G5 @€ 7C BJ ?H
<M8FC H I B 89F	("\$\$	&	(-!&,%&\$	(-!+*&+15	(-!&-\$*!&\$?+H	I G9'G5A 9'G7 F9K G' H'5H7 CA 9'CB @ 8
C: 'FC 58' H I B 89F	("\$\$	&	(-!&,%&\$	(-!+*&+15	(-!&-\$*!&\$?+H	I G9'G5A 9'G7 F9K G' H'5H7 CA 9'CB @ 8
7 FI -€ B I G5	("\$\$	&	(-!&,%&\$	(-!+*&+15%	(-!&-\$*!&\$?+H	I G9'G5A 9'G7 F9K G' H'5H7 CA 9'CB @ 8
D: 5' HC I F ' C @	("\$\$	&	(-!&,%&\$	(-!+*&+16	(-!&-\$*!&\$?+H	756B9HB998GHC '69' A C 8 = 98ZG99BC H9 & I G9'G5A 9'G7 F9K G'H'5H 7CA 9CB @ 8
H; C @	' "+)	%	(-!&,%&\$	(-!+*&+17	(-!&-\$*!&\$?+H	756B9HB998GHC '69' A C 8 = 98ZG99BC H9 & I G9'G5A 9'G7 F9K G'H'5H 7CA 9CB @ 8
6@H--	(" \$	'	(-!&,%&\$	(-!+*&+18	(-!&-\$*!&\$?+H	I G9: @5H<958' G7 F9K '%(\$!\$%\$!(&&
B65 'G<CK 'HA 9	(" \$	'	(-!&,%&\$	(-!+*&+18	(-!&-\$*!&\$?+H	I G9: @5H<958' G7 F9K '%(\$!\$%\$!(&&
7 FI -€ B 9LC H7 5) "\$\$	((-!&,%&\$	(-!+*&+19	(-!&-\$*!&\$?+H	I G9'G5A 9'G7 F9K G' H'5H7 CA 9'CB @ 8

BC H9G
%LG89J 9K 'C: 7CA D@H'7C BJ 9FG€ B ?+G'
..... CF F9: 9F9B79CB @M
&'L'HC 'A CI BH&* @ 8 '7C BJ 9FG€ B ?+H'f(-!&-\$*!&\$?+H'
..... CB 'D: 5' HC I F / 'H; C @ '756B9HG'756B9HG
..... B998 HC '69' A C 8 = 98Z7I HB; C: 'A 5H9F 5@
..... % 'L' (" \$ " L ") \$ " 899D 6C H' B H F B 5 @ G 8 9 G'
..... HC <5J 9'9BC I; < GD579fG99D=7H F9GCB '89H5 @7L'
..... HC ' B G5 @€ &* @ 8 '7C BJ 9FG€ B ?+H
' "L' I G9'G7 F9K ZA (L' %\$ A ' : @5H<958' f%(\$!\$%\$!(&&
..... HC ' B G5 @€ A CI BH-B; '6F57?9HG'
..... CB &* @ 8; CF '6@H-- '5B8 B65 'G<CK HA 9'756B9HG'
..... CF 'H'9F9HC: A -8K 5M756B9HG'
..... I G9'G5A 9'G7 F9K G'H'5H7 CA 9K H' &* @ 8
..... HC ' B G5 @€ A CI BH-B; '6F57?9HC B' &* @ 8