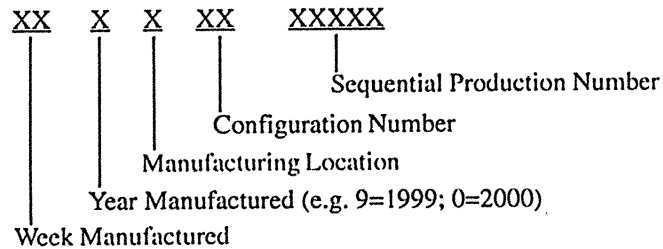


Serial Number Breakdown:

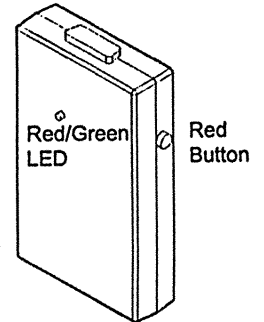


Questions should be directed to MEI Technical Support at 1-800-345-8172 or our web site: www.meiglobal.com.

MEI
Bill Acceptor
Series 2000
with MEI
FlashPort

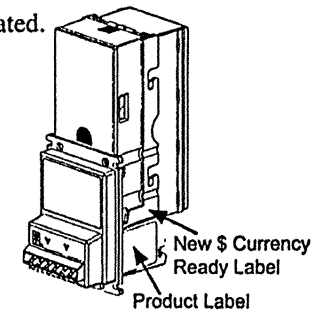
Series 2000 Bill Programming Module (BPM)

The purpose the BPM is to download new software into AE2600 Bill Acceptors and VN2500/AE2400 with MEI FLASHPORT Bill Acceptors. Only VN2500/AE2400's manufactured during or after the 40th week of 1999 have the MEI FLASHPORT capability (see page 4 to determine when the unit was manufactured). All MEI FLASHPORT capable VN2500/AE2400's have the "with MEI FLASHPORT" logo on the product label on the box and on the side of the unit.



Download Procedure

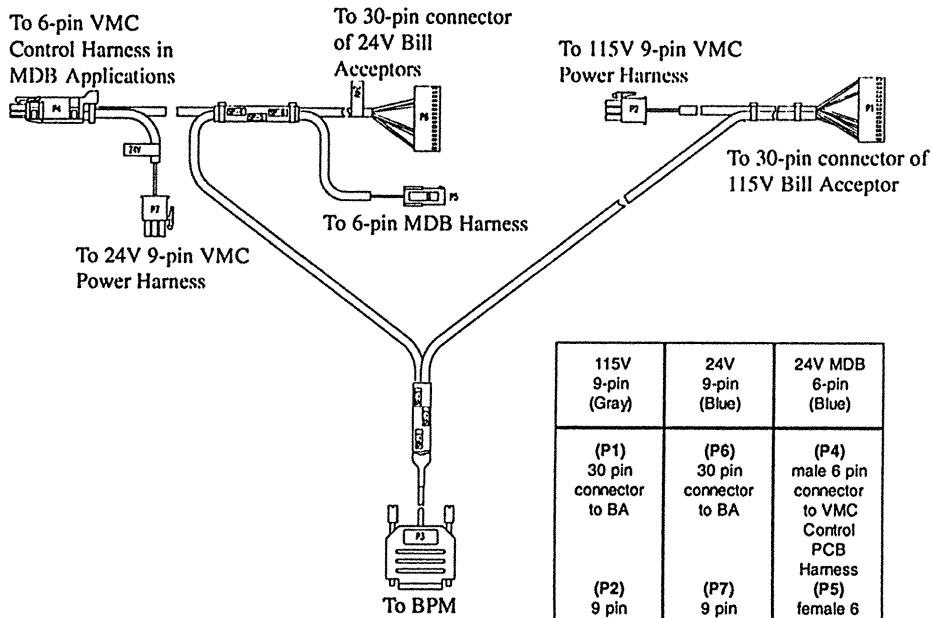
1. Power down the machine.
- 2a. For AE2400's only, place switch 8 to the "ON" position (Harness Enabled).
- 2b. AE2600's that have been coupon configured for "Gaming Always Enable" and have all the option switches to the "OFF" position require switch 8 to be placed in the "ON" position prior to downloading.
3. Connect the BPM (See next page), then power up the machine.
4. Once the bill acceptor completes a run and stack, (motors cycle) press the Red Button on the BPM till the Green LED illuminates to indicate power to the BPM.
5. The Green LED will flash, then go solid. If Green LED does not light, turn to the Troubleshooting Section on page 3.
6. Power down the machine; reconnect the original cables.
7. For AE2400's and AE2600 (if necessary) place switch 8 to its original position.
8. Resupply power to the machine.
9. Place the New Currency Ready Label on the Bill Acceptor to indicate the unit has been updated.



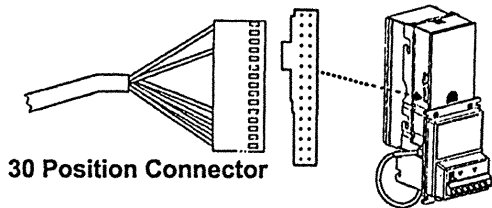
©MEI, 2000
Printed in USA

Part # 250059149
Rev. G1

Connections:



115V 9-pin (Gray)	24V 9-pin (Blue)	24V MDB 6-pin (Blue)
(P1) 30 pin connector to BA	(P6) 30 pin connector to BA	(P4) male 6 pin connector to VMC Control PCB Harness (P5)
(P2) 9 pin connector to VMC Power Harness	(P7) 9 pin connector to VMC Power Harness	(P5) female 6 pin connector to MDB Harness



Troubleshooting:

Flash Code	Description of Code	Solution
Solid Green	Bill Acceptor is Already Programmed	Bill Acceptor already has the software revision installed.
Solid Red	BPM Not Connected to a Bill Acceptor	Check to ensure the harnesses between the BPM and the Bill Acceptor are seated properly.
	AE2400 and AE2600 Only	Switch 8 needs to be to the "ON" position.
Solid Amber/ No LED Illuminates	Low Battery	Change the batteries. NOTE: MEI does not recommend downloading new software with low batteries. The BPM takes 2 AA batteries. The battery panel is located in back of BPM.
1 Long Red Flash	No Credits	BPM may be out of credits. Follow procedure below to check how many credits are left in BPM.
1 Short Red Flash	Invalid Product	The BPM does not have the revision software installed to download the model Bill Acceptor you are trying to upgrade. Example: A BPM for a Series 2000 Bill Acceptor cannot be used to upgrade the software in a Series 3000 Bill Acceptor.
2 Short Red Flashes	Unrecoverable Error when Downloading	BPM failed during the download process. With the BPM still connected cycle power to Bill Acceptor (unit may not do a run and stack) then try again..
3 Short Red Flashes	BPM is defective	BPM will need to be returned to MEI for service.
Flash Codes will repeat for 10 seconds.		

Check Number of Credits in BPM:

Disconnect BPM from bill acceptor. Press and hold the Red Button. The LED will first be solid red; then after 3 seconds the LED will start flashing a code to show how many credits are left in the BPM (see below). The flash code will repeat continuously while the Red Button is held down. **NOTE:** A credit is only taken from the BPM when a download is successful.

- Red/Green Repeatedly Represents over 100 Credits
- Green Represents 10 credits for each flash
- Red Represents 1 credit for each flash

Examples:

Credits	Green Flashes	Red Flashes
5	0	5
17	1	7
30	3	0