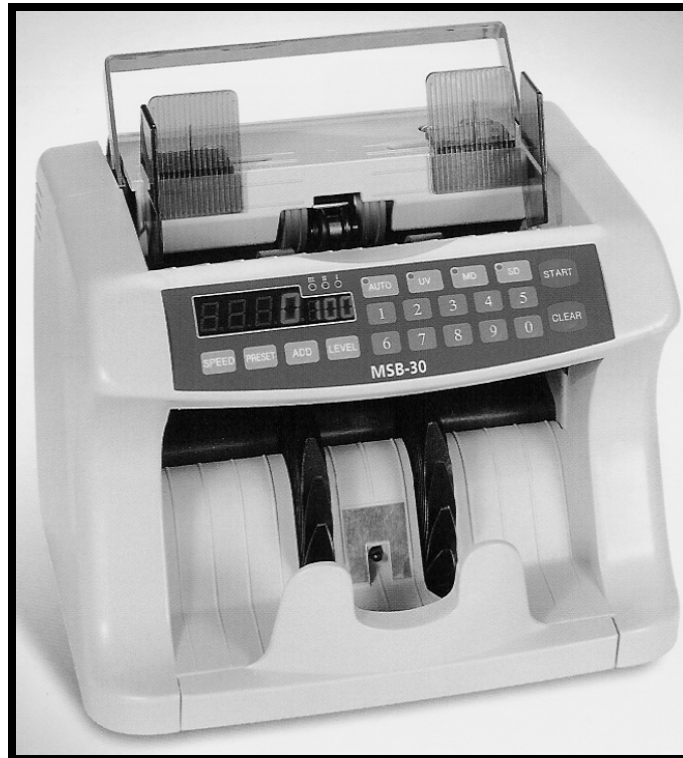




MSB-30 Currency Counter Instruction Manual



CE

CONTENTS

1.	INTRODUCTION.....	Page 3
2.	SAFETY PRECAUTIONS.....	Page 3
3.	APPEARANCE.....	Page 3
4.	CONTROL PANEL OPERATION.....	Page 4
5.	SPECIFICATIONS.....	Page 6
6.	ACCESSORIES AND OPTIONS.....	Page 6
7.	ERROR CODES.....	Page 7
8.	DAILY CARE.....	Page 8

❖ Specifications are subject to change without notice

1. INTRODUCTION

Thank you for purchasing the Model MSB-30 currency counter. This manual provides complete instructions for operating this unit and general trouble shooting techniques.

2. SAFETY PRECAUTION

Important safety instructions are listed below. Not following listed safety precautions can result in serious injury.

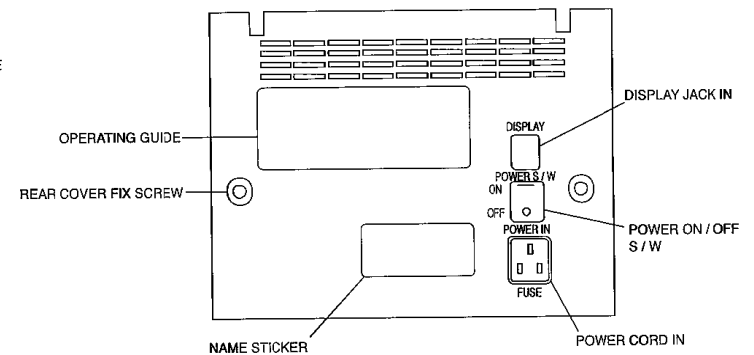
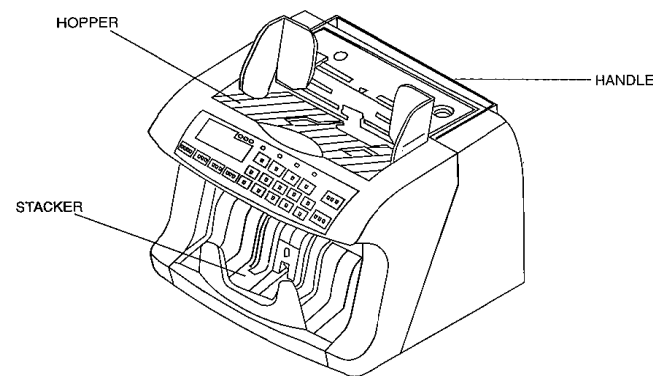
WARNING

- a. Always make sure the unit is plugged into a grounded receptacle to avoid electrocution hazard
- b. Turn off power and unplug unit before performing any maintenance which requires placing your hands in or near any moving parts of this unit.
- c. When replacing fuse, use only the same type and rated fuse. Using a different type or higher rated fuse can result in a fire hazard
- d. Do not touch notes or put your hands near the stacker while the motor is running.

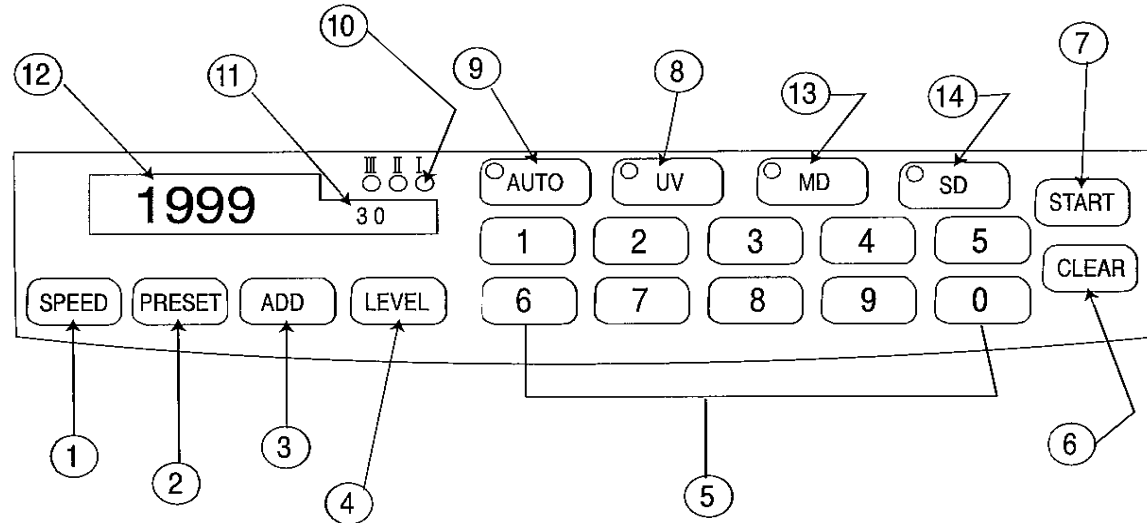
PRECAUTION

- a. Check for foreign objects (i.e. paper clips, staples, etc...) in bundles before running notes
- b. Damp or badly stained notes should not be run through the unit
- c. Folded or curled notes should be straightened before being placed in the unit
- d. Do not use chemicals to clean this unit
- e. While counting notes, do not place hands, hair, ties, or any body part near the hopper
- f. To prevent accidents, do not attempt to repair or disassemble this unit on your own. If a problem occurs, contact your authorized service center.

3. APPEARANCE



4. CONTROL PANEL OPERATION



1. SPEED: Select one of three speeds to run the unit at..

SP1: 1,300 - 1,500 notes/min SP2: 1,000 – 1,200 notes/min SP3: 700 – 900 notes/min

2. PRESET: Provides selection of preset batch amounts. When you press this key, the values change in the following order
100 → 50 → 25 → 20 → 10 → 0 → 100...

You can also select any size batch using the numeric keys.

3. ADD: Provides a cumulative total of all counted notes.

Every time the unit completes a count, the cumulative total is shown on the count display

To use this function, press ADD key before placing notes onto hopper.

*Any batch that is interrupted or has an error, is not counted towards the total.

4. LEVEL: Density level key, 4 levels

AUTO → I → II → III → AUTO...

5. NUMERIC KEYS: Allows for batch selection using totals other than pre-programmed batches.

6. CLEAR: Clears the display for batch counting or when an error is displayed.

7. START: Starts the unit when the unit is in manual mode or after an error or jam is cleared

8. UV: Ultra-Violet light counterfeit detection (option)

Press this key to turn on or off the ultra-violet detection feature before running notes through the unit
When a suspect note is detected, the unit will stop and operator is notified by a display message

9. AUTO: Selects auto start or manual start.

Auto Start (light on): The unit begins to count as soon as notes are placed on the hopper.

Manual Start (light off): The unit begins to count when notes are placed on the hopper and the start key is pressed

10. DENSITY LAMP: when in AUTO mode, no LED is lit.

AUTO	Auto level. Unit scans first note and sets the correct density level
I	Use for new and/or very lightly printed notes
II	Use for medium colored notes when levels I and III do not work
III	Use for solid and darkly colored notes

11. PRESET: Display indicates the selected number of notes to be batched

12. COUNT: Display indicates number of counted notes. Also indicates error codes.

13. MD: Magnetic counterfeit detection (option)

Press this key to turn on or off the magnetic detection feature before running notes through the unit.
When a suspect note is detected, the unit will stop and operator is notified by a display message.

14. SD: Size detection key (option)

Press this key to turn on or off the size detection feature before running notes through the unit.
When a note of different size is detected, the unit will stop and operator is notified by a display message.

5. SPECIFICATIONS

UNIT DIMENSIONS	10.27" (W) x 9.25" (H) x 8.86" (D) 260mm (W) x 235mm (H) x 225mm (D)
WEIGHT:	10.56 lbs. / 4.8 kg
NOTE SIZE RANGE:	Smallest: 1.97" x 3.94" / 50mm x 100mm Largest: 3.94" x 7.48" / 100mm x 190mm
COUNTING SPEED:	900 – 1,500 notes per minute
HOPPER CAPACITY:	300 notes
STACKER CAPACITY:	200 notes
POWER SOURCE:	Universal, AC 90-240V, 50/60Hz
POWER CONSUMPTION	35W

6. ACCESSORIES AND OPTIONS

Accessories: Power cord, operation manual, dust cover, dust brush

Options: External display
RS 232 interface kit
Ultra-violet detection (UV)
Magnetic detection (MD)
Size detection (SD)

Usage of RS-232 Interface:

1. Connect serial port (com 1) of PC with jack on external display using included interface cable.
2. Double click on the exe file on the attached diskette or CD

7. ERROR CODES

<u>ERROR CODE</u>	DESCRIPTION	<u>ACTION</u>
E-JA	A note or notes are jammed in the counter sensor	<ul style="list-style-type: none"> • TURN UNIT OFF AND: • Remove jammed notes • Remove folded or crumpled notes from bundle being counted
E-Db	Double notes are detected	<ul style="list-style-type: none"> • Remove counted notes and recount bundle • If same error message is received, adjust density level on unit and/or note thickness
E-CH E-SH	Chain and/or short notes detected	<ul style="list-style-type: none"> • Check that notes are not stuck together • Adjust the note thickness on unit
E-An	Skewed note	<ul style="list-style-type: none"> • Remove counted notes and recount bundle • Make sure notes are stacked evenly and rerun bundle
E-CF	Counterfeit note detected by UV sensor	<ul style="list-style-type: none"> • Remove suspect note and recount bundle
E-FC	Counterfeit note detected by magnetic sensor	<ul style="list-style-type: none"> • Remove suspect note and recount bundle
E-HF	Half-note detected	<ul style="list-style-type: none"> • Remove torn or folded note and recount bundle
E-FE	Feed error	<ul style="list-style-type: none"> • Remove counted notes and recount bundle
E-LL	Different denomination (by width) detected	<ul style="list-style-type: none"> • Remove off-size note, remove counted notes and recount bundle
E-SH	Different Denomination (by height) detected	<ul style="list-style-type: none"> • Remove off-size note, remove counted notes and recount bundle
E-OC	Wrong note thickness selected	<ul style="list-style-type: none"> • Adjust note thickness in direction of “-“ • Contact service center if problem persists

*See notes on next page

NOTES FOR ERROR MESSAGES:

- When a counterfeit or suspect note is detected, the CF or FC will be preceded by an E followed by a number, i.e. E1-CF or E2-CF. This number refers to the number of notes passed through the unit since the suspect note was detected.
- When an error occurs, please remove all the notes from both the hopper and stacker, press the CLEAR key, and recount the bundle.
- In case of any error, please reset the count by removing all notes and pressing the CLEAR key as the actual count, if continued, may be incorrect.

8. DAILY CARE:

You may clean the unit using the included dust brush by removing any dust build-up on the exposed portions of the unit. No other cleaning is necessary. **DO NOT USE ANY CHEMICALS TO CLEAN THIS UNIT.**

WARRANTY

Cashscan Corporation warrants this counter for six (6) months on parts and for six (6) months for labor from the time of purchase against all manufacturing defects in material and labor.