



WELLS-GARDNER
ELECTRONICS CORPORATION

K7000
STANDARD RES



K 7 0 0 0

PRODUCT SPECIFICATIONS

SPECIFICATIONS

- CRT size (diagonal measure): **13", 19", 25", 27"**
- Phosphor type: P22
- CRT etch: Polished faceplate; other faceplates available
- Striped trio spacing: 0.42mm & 0.63mm (13"),
0.71mm (19"), 0.84mm (25"), 0.84mm (27")

INPUT SIGNALS

- Input connector: 0.156 center header
- Video type: RGB analog
- Video input impedance: 4.7K Ohm; other values available
- Video level: 1 to 5 volts peak-to-peak; other levels optional
- Sync type: TTL sync; separate or composite, negative or positive
- Sync input impedance: 20K Ohm for positive, 12K Ohm for negative
- Horizontal sync frequency: 15.1 KHz
- Vertical sync frequency: 47 to 63 Hz

LIGHT OUTPUT

40 fL typical

GEOMETRY

- Horizontal linearity: +/-5%
- Vertical linearity: +/-5%
- Picture size regulation: 2%
- Geometric distortion: +/-2%

POWER INPUT

- Input voltage: 120 VAC, 50 - 60 Hz; isolation transformer required
- Maximum power: 85 Watts

USER CONTROLS

- Remote controls: Brightness, contrast, horizontal centering,
vertical size, vertical centering, vertical hold
- Internal controls: Horizontal hold, horizontal size, horizontal raster position, focus

MECHANICAL

See additional pages

MISCELLANEOUS

- Operating temperature: 0 to 55 degrees C
- Agency compliance: U.L., C.S.A., D.H.H.S. radiation performance std

RESOLUTION

- Graphics modes: 640 X 200 (may be limited by the CRT)
- Video bandwidth: 12 MHz typical

SPECIFICATION SUBJECT TO CHANGE WITHOUT NOTICE



K 7 0 0 0 MECHANICAL SPECIFICATIONS



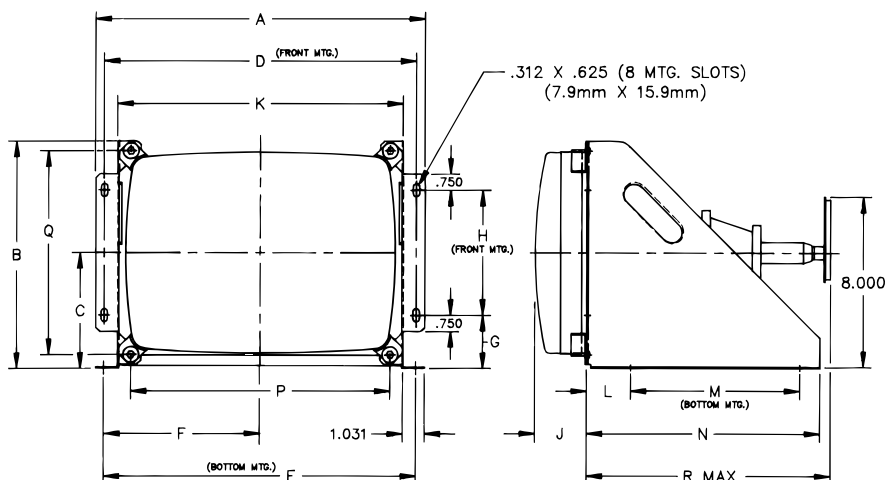
WELLS-GARDNER ELECTRONICS CORPORATION

DIMENSIONS SHOWN ARE FOR REFERENCE ONLY. FOR SPECIFICS CONTACT W.G.E.C. ENGINEERING.
2701 North Kildare Avenue Chicago, Illinois 60639 Phone (773) 252-8220 Fax (773) 252-8072

WG P/N: WGM1370-H0TS27C
(not available)

Alternate: WGM1372-H0TS27G
WGZ1373-H0GS01H

Re-Mfg: WGR1370-H0TS27C



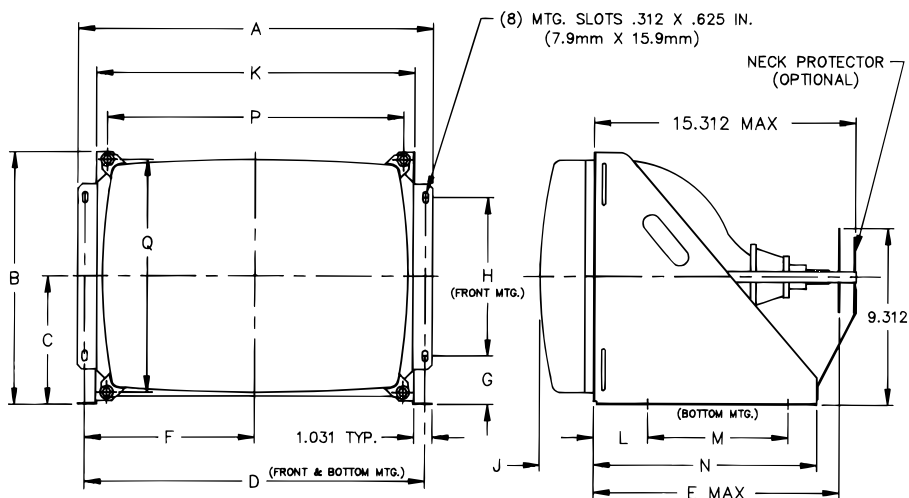
13V Color Monitor 13-H0 (F13H)

DIM.	A	B	C	D	E	F	G	H	J	K	L	M	N	P	Q	R
IN.	15.625	10.687	5.437	14.812	14.812	7.406	2.500	5.875	2.450	13.526	2.062	8.000	11.000	12.260	9.578	11.750
mm.	396.9	271.4	138.1	376.2	376.2	188.1	63.5	149.2	62.23	343.56	52.37	203.2	279.4	311.15	243.28	298.45

WG P/N: WGM1970-H0GS66A
(not available)

Alternate: WGM1972-H0GS66H
WGZ1973-H0GS02H

Re-Mfg: WGR1970-H0GS66A



19V Color Monitor 19-H0 (F19H)

DIM.	A	B	C	D	E	F	G	H	J	K	L	M	N	P	Q
IN.	20.402	14.281	7.255	19.590	14.531	9.795	2.750	9.000	3.060	18.340	3.060	8.000	12.687	17.090	13.266
mm.	518.21	362.74	184.28	497.59	369.09	248.79	69.85	228.60	77.72	465.84	77.80	203.20	322.25	434.09	336.96

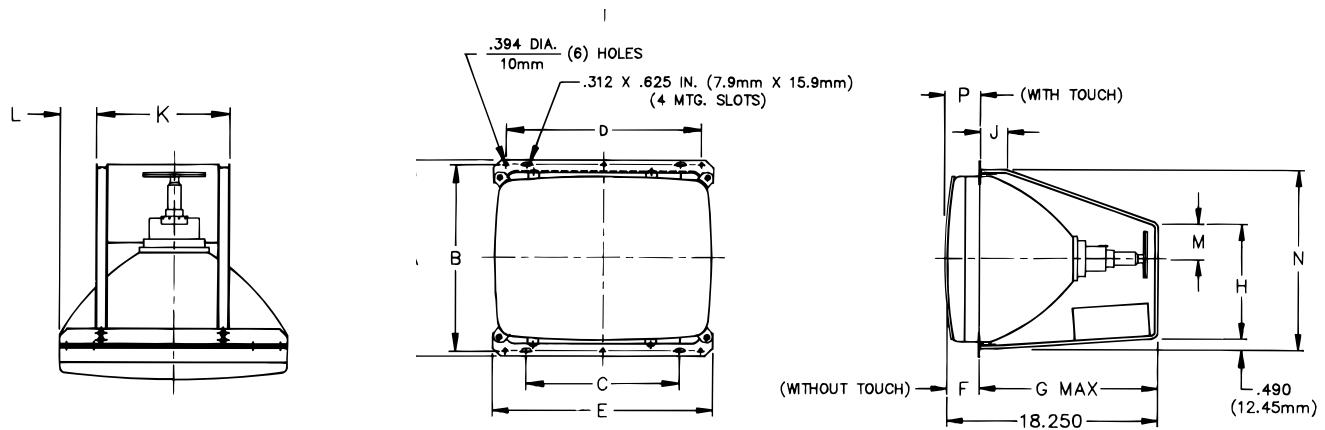


K 7 0 0 0 MECHANICAL SPECIFICATIONS



WELLS-GARDNER
ELECTRONICS CORPORATION

DIMENSIONS SHOWN ARE FOR REFERENCE ONLY. FOR SPECIFICS CONTACT W.G.E.C. ENGINEERING.
2701 North Kildare Avenue Chicago, Illinois 60639 Phone (773) 252-8220 Fax (773) 252-8072



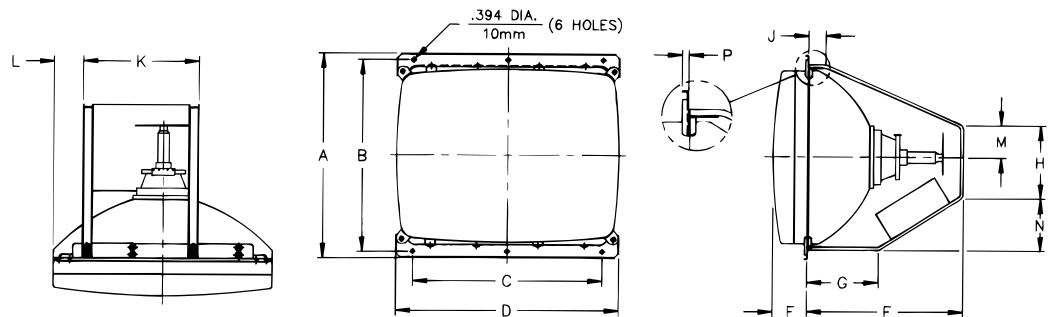
WG P/N: WGM1970-U2TS04A
(not available)

Alternate: WGM1972-U2GS49H
WGZ1973-U2GS14H

Re-Mfg: WGR1970-U2TS04A

19V Color Monitor 19-U2 (F19M2)

DIM.	A	B	C	D	E	F	G	H	J	K	L	M	N	P
IN.	16.437	15.765	12.843	15.765	18.125	3.090	15.160	9.325	1.750	10.125	3.093	2.250	15.280	3.295
mm.	417.50	400.43	326.21	400.43	460.38	78.49	385.06	236.86	44.45	257.20	78.56	57.15	388.11	83.70



WG P/N: WGM2570-U1GS30K
(not available)

Alternate: WGM2574-U4GS55H

Re-Mfg: WGR2570-U1GS30K

25V Color Monitor 25-U1 (F25M1)

DIM.	A	B	C	D	E	F	G	H	J	K	L	M	N	P
IN.	20.630	19.291	19.291	23.000	16.125	3.590	7.375	6.375	1.750	12.000	3.140	3.250	6.312	.343
mm.	524.0	490.0	490.0	584.20	409.58	91.19	187.33	161.93	44.45	304.80	79.76	82.55	160.33	8.71



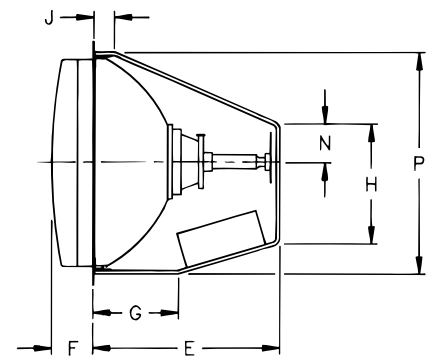
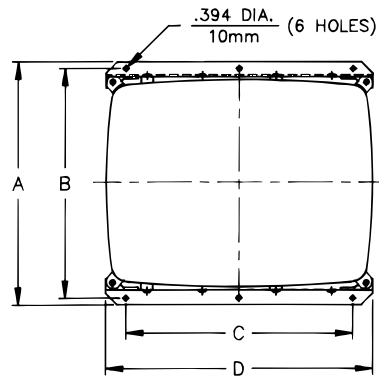
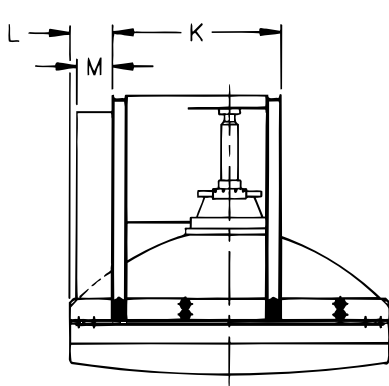
K 7 0 0 0

MECHANICAL SPECIFICATIONS



WELLS-GARDNER
ELECTRONICS CORPORATION

DIMENSIONS SHOWN ARE FOR REFERENCE ONLY. FOR SPECIFICS CONTACT W.G.E.C. ENGINEERING.
2701 North Kildare Avenue Chicago, Illinois 60639 Phone (773) 252-8220 Fax (773) 252-8072



WG P/N: WGM2770-U0GS99A

Alternate: WGM2774-U0GS08G

Re-Mfg: WGR2770-U0GS99A

27V Color Monitor 27-U0 (F27M)

DIM.	A	B	C	D	E	F	G	H	J	K	L	M	N	P
IN.	21.937	20.644	20.6644	24.500	16.125	3.230	7.375	10.125	1.750	12.000	3.875	2.750	3.250	20.210
mm.	557.20	524.36	524.36	622.30	409.58	82.04	187.33	257.18	44.45	304.80	98.43	69.85	82.55	513.34



K 7 0 0 0 M O N I T O R C O N T R O L S



WELLS-GARDNER
ELECTRONICS CORPORATION

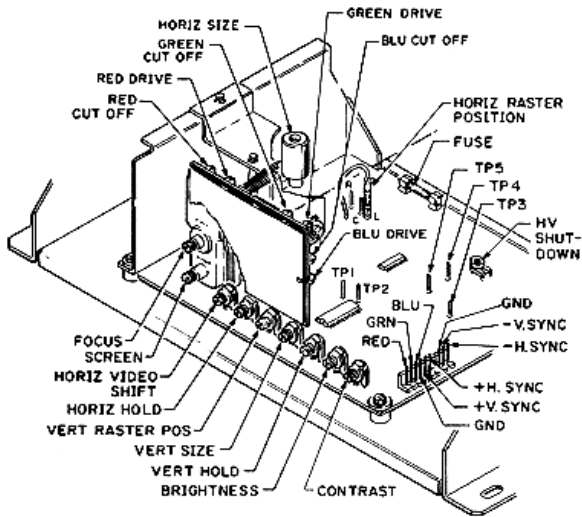


FIG. 1A

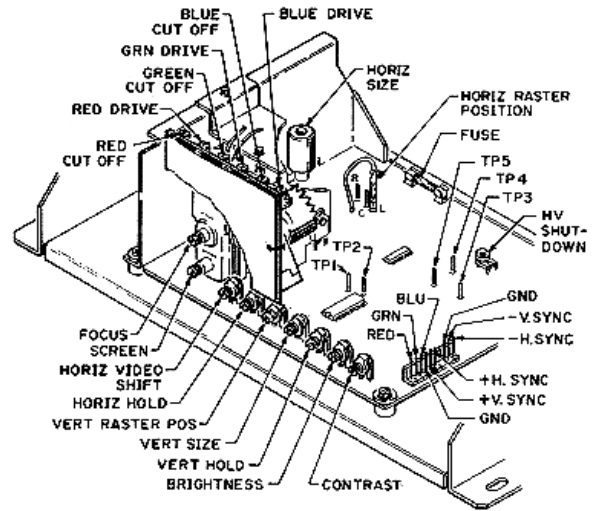


FIG. 1B

1. BRIGHTNESS CONTROL VR6

This control has been preset at the factory. However, when the video signal is applied to the monitor, a slight adjustment may be desired. Adjust this control such that the illumination is just barely extinguished from portions of the display which should be black.

2. CONTRAST CONTROL VR7

Adjust the contrast control for the desired picture intensity.

3. FOCUS CONTROL

Adjust the focus control, located on the high voltage unit (T1), for maximum over-all definition and fine picture detail.

4. HORIZONTAL HOLD CONTROL VR2

With the monitor being driven with the display signal, connect one jumper between TP1 and TP2 and another jumper between TP3 and TP4. Adjust the horizontal hold control until the picture stops sliding horizontally. Remove the jumpers. Do not use the horizontal hold control for horizontal centering. (See #5).

NOTE: If the sync signal is composite, use the horizontal sync input of the same polarity as the composite sync signal.

5. HORIZONTAL VIDEO SHIFT CONTROL VR1 Use this control to center the picture horizontally.

6. HORIZONTAL RASTER POSITION ADJUSTMENT

If the picture is off center horizontally (long dimension of picture tube), some compensation can be made by moving the horizontal raster position adjustment jumper either to positions "R" or "L".

7. HORIZONTAL SIZE COIL L1

The horizontal size coil is a hexagonal tuning tool adjustment. This control must be adjusted slowly, if necessary, until the picture or test pattern attains the correct horizontal proportions.

8. VERTICAL HOLD CONTROL VR5

Adjust this control until the picture stops rolling and it locks in vertically.

9. 50-60 Hz CONTROL VR9

This control is used to limit the range of vertical size. This control is preset at the factory and should not require readjustment unless the vertical size control or vertical hold control are readjusted from their original factory settings. In order to set this control, first adjust the vertical size control so that the picture is slightly larger than desired. Turn VR9 so that any vertical foldover which may be present will disappear. If the monitor is to be operated alternately at more than one vertical frequency, then perform this adjustment at the higher frequency.

10. VERTICAL SIZE CONTROL

This control must be adjusted slowly, if necessary, until the picture or test pattern attains the correct vertical proportions.

11. VERTICAL RASTER POSITION CONTROL VR3

If the video is off center vertically, (short dimension of picture tube) some compensation can be made by turning the vertical raster position control.

12. CUT OFF AND DRIVE CONTROLS ON NECK BOARD VR201, VR202, VR203, VR204, VR205, VR206.

These controls have been preset at the proper gray scale. Before adjusting any of these controls, refer to Troubleshooting Note 4 and to the White Balance procedure.



WELLS-GARDNER
ELECTRONICS CORPORATION

K7000

GENERAL REPLACEMENT PARTS LIST For all K7000 models except where noted. This monitor contains circuits and components included specifically for safety purposes. For continued protection no changes should be made to the original design, and components shown in shaded areas of schematic, or > ★ on parts list should be replaced with exact factory replacement parts. The use of substitute parts may create a shock fire, radiation or other hazard. Service should be performed by qualified personnel only.

REPLACEMENT PARTS LIST

P447 MAIN BOARD



RESISTORS

REF. NO.	PART NO.	DESCRIPTION
R1	340X2562-934	5.6K Ohm 5% 0.25W
R2	340X2562-934	5.6K Ohm 5% 0.25W
R3	340X2562-934	5.6K Ohm 5% 0.25W
R4	340X2472-934	4.7K Ohm 5% 0.25W
R5	340X2472-934	4.7K Ohm 5% 0.25W
R6	340X2472-934	4.7K Ohm 5% 0.25W
R7	340X2333-934	33K Ohm 5% 0.25
R8	340X2333-934	33K Ohm 5% 0.25
R9	340X2333-934	33K Ohm 5% 0.25
R10	340X2151-934	150 Ohm 5% 0.25W
R11	340X2151-934	150 Ohm 5% 0.25W
R12	340X2151-934	150 Ohm 5% 0.25W
R13	340X2102-934	1.0K Ohm 5% 0.25W
R14	340X2102-934	1.0K Ohm 5% 0.25W
R15	340X2102-934	1.0K Ohm 5% 0.25W
R16	340X2822-934	8.2K Ohm 5% 0.25W
R17	340X2822-934	8.2K Ohm 5% 0.25W
R18	340X2152-934	1.5K Ohm 5% 0.25W
R19	340X2103-934	10K Ohm 5% 0.25W
R20	340X2102-934	1.0K Ohm 5% 0.25W
R21	340X2563-934	56K Ohm 5% 0.25W
R22	340X2562-934	5.6K Ohm 5% 0.25W
R23	340X2102-934	1.0K Ohm 5% 0.25W
R24	340X2224-934	220K Ohm 5% 0.25W
R25	340X2273-934	27K Ohm 5% 0.25W
R26	340X2822-934	8.2K Ohm 5% 0.25W
R27	340X2223-934	22K Ohm 5% 0.25W
R28	340X2332-934	3.3K Ohm 5% 0.25W
R29	340X2103-934	10K Ohm 5% 0.25W
R30	340X2101-934	100 Ohm 5% 0.25W
R31	340X2101-934	100 Ohm 5% 0.25W
R32	340X2101-934	100 Ohm 5% 0.25W
R33	340X2102-934	1.0K Ohm 5% 0.25W
R34	340X2102-934	1.0K Ohm 5% 0.25W
R35	340X2102-934	1.0K Ohm 5% 0.25W
R36	340X2122-934	1.2K Ohm 5% 0.25W
R37	340X2822-934	8.2K Ohm 5% 0.25W
R38	340X2122-934	1.2K Ohm 5% 0.25W
R39	340X2122-934	1.2K Ohm 5% 0.25W

RESISTORS

REF. NO.	PART NO.	DESCRIPTION
R40	340X2102-934	1.0K Ohm 5% 0.25W
R41	340X2102-934	1.0K Ohm 5% 0.25W
R42	340X2473-934	47K Ohm 5% 0.25W
R43	340X2222-934	2.2K Ohm 5% 0.25W
R44	340X2104-934	100K Ohm 5% 0.25W
R45	340X2104-934	100K Ohm 5% 0.25W
R46	340X2101-934	100 Ohm 5% 0.25W
R47	340X2101-934	100 Ohm 5% 0.25W
R48	340X2102-934	1.0K Ohm 5% 0.25W
R49	340X2102-934	1.0K Ohm 5% 0.25W
R50	340X2103-934	10K Ohm 5% 0.25W
R51	340X2103-934	10K Ohm 5% 0.25W
R52	340X2102-934	1.0K Ohm 5% 0.25W
R53	340X2151-934	150 Ohm 5% 0.25W
R54	340X2224-934	220K Ohm 5% 0.25W
R55	340X2101-934	100 Ohm 5% 0.25W
R56	340X2472-934	4.7K Ohm 5% 0.25W
R57	340X2182-934	1.8K Ohm 5% 0.25W
R58	340X2123-934	12K Ohm 5% 0.25W
R59	340X2103-934	10K Ohm 5% 0.25W
R60	340X2563-934	56K Ohm 5% 0.25W
R61	340X2332-934	3.3K Ohm 5% 0.25W
R62	340X2122-934	1.2K Ohm 5% 0.25W
R63	340X2563-934	56K Ohm 5% 0.25W
R64	340X2184-934	180K Ohm 5% 0.25W
R65	340X2123-934	12K Ohm 5% 0.25W
R66	340X2224-934	220K Ohm 5% 0.25W
R67	340X2623-934	62K Ohm 5% 0.25W
R68	340X2223-934	22K Ohm 5% 0.25W
R69	340X3683-231	68K 5% 0.5W CAR
R70	340X2682-934	6.8K Ohm 5% 0.25
R71	340X3473-234	47K 5% 0.5W
R72	340X2101-934	100 Ohm 5% 0.25W
R73	340X2103-934	10K Ohm 5% 0.25W
R74	340X2220-934	22 Ohm 5% 0.25W
R75	340X2222-934	2.2K Ohm 5% 0.25W
R76	340X2473-934	47K Ohm 5% 0.25W
R77	340X2333-934	33K Ohm 5% 0.25
R78	340X2102-934	1.0K Ohm 5% 0.25W



WELLS-GARDNER
ELECTRONICS CORPORATION

K7000

GENERAL REPLACEMENT PARTS LIST For all K7000 models except where noted. This monitor contains circuits and components included specifically for safety purposes. For continued protection no changes should be made to the original design, and components shown in shaded areas of schematic, or > ★ on parts list should be replaced with exact factory replacement parts. The use of substitute parts may create a shock fire, radiation or other hazard. Service should be performed by qualified personnel only.

REPLACEMENT PARTS LIST

P447 MAIN BOARD



RESISTORS

REF. NO.	PART NO.	DESCRIPTION
R80	340X3056-934	5.6 5% 0.5W
R81	340X2150-934	15 Ohm 5% 0.25W
R82	340X3821-934	820 Ohm 5% 0.5W
R83	340X3681-934	680 Ohm 5% 0.5W
R84	340X2682-934	6.8K Ohm 5% 0.25
R85	340X2332-934	3.3K Ohm 5% 0.25W
R86	340X2224-934	220K Ohm 5% 0.25W
R87	340X3334-844	330K 10% 0.5W
R88	340X4182-633	1.8K 5% 1 W
★ R89	043X0476-002	3.9K 5% 5W MO
R90	043X0486 002	1.2 5% 2W MF
R91	043X0486 002	1.2 5% 2W MF
R92	043X0486-002	1.2 5% 2W MF
R93	420X5102-324	1.0K 5% 2W
R94	340X2473-934	47K Ohm 5% 0.25W
R95	340X2473-934	47K Ohm 5% 0.25W
R96	420X6182-325	1.8K Ohm 5% 3W, WW
R97	420X6271-325	270 5% 3W
R98	340X4222-633	2.2K Ohm 5% 1 W
R99	340X4222-633	2.2K Ohm 5% 1 W
R100	340X4271-633	270 5% 1W
R101	420X6682-325	6.8K 5% 3W
R102	340X4470-633	47 5% 1W
> ★ R103	043X0483-001	2.7 Ohm 5% 7W
R104	043X0484 001	15 Ohm 5% 5W
R105	043X0485-001	Thermister
R106	340X2273-934	27K Ohm 5% 0.25W
R107	340X2102-934	1.0K Ohm 5% 0.25W
R301	043X0481-003	220 Ohm 15W WW
VR1	040X0653-002	CTRL 500
VR2	040X0653-005	CTRL 10K
VR3	040X0653-005	CTRL 10K
VR4	040X0653-001	CTRL 200
VR5	040X0653-006	CTRL 200K
VR6	040X0653-003	CTRL 2K
VR7	040X0653-005	CTRL 10K
★ VR8	040X0639-006	Trim Pot 2K Ohm 0.3W
VR9	040X0655-001	Trim Pot 200 Ohm

CAPACITORS

REF. NO.	PART NO.	DESCRIPTION
C1	080X0099-671	Disc 22PF 10% NPO
C2	080X0099-671	Disc 22PF 10% NPO
C3	080X0099-671	Disc 22PF 10% NPO
C4	045X0577-501	Elect 10MF NP 25V
C5	045X0577-501	Elect 10MF NP 25V
C6	045X0577-501	Elect 10MF NP 25V
C7	047X0786-502	MYR .022 10% 50V
C8	047X0786-502	MYR .022 10% 50V
C9	047X0786-502	MYR .022 10% 50V
C10	045X0560-531	Elect 33MF 16V
C11	045X0560-534	Elect 22MF 25V
C12	045X0560-514	LYT 1.0UF 50V
C13	045X0560-534	Elect 22MF 25V
C14	047X0786-502	MYR.022 10% 50V
C15	047X0786-502	MYR.022 10% 50V
C16	047X0786-511	M YR .1 10% 50V
C17	047X0786-501	.010UF 10% 50V P-Estr
C18	045X0560-514	LYT 1.0UF 50V
C19	046X0550-502	PP .0056 2% AWS 50V
C20	045X0560-518	LYT 10UF 25V
C21	045X0560-518	LYT 10UF 25V
C22	045X0560-514	LYT 1.0UF 50V
C23	045X0560-517	LYT 47UF 25V
C24	047X0786-503	MYR.068 10% 50V
C25	047X0786-512	P-Ester .015 10% 50V
C26	047X0786-511	Myr.1 10% 50V
C27	080X0099-557	Disc 220 10% Z5F
C28	080X0098-048	5PF 20% 2KV NPO
C29	047X0786-501	.010UF 10% 50V P-Estr
C30	080X0099-505	Disc .001 20% Z5F 500V
C31	047X0786-501	.010UF 10% 50V P-Estr
C32	080X0099-580	Disc 100 10% Z5F 500V
C33	080X0099-722	Disc .0033 10% Y5P 500V
C34	080X0099-221	Disc .01 10% Y5P 500V
C35	047X0786-501	.010UF 10% 50V P-Estr
> ★ C36	046X0551-003	PP 6100 2% 1500V
C37	046X0544-005	.15 100V PP
★ C38	046X0536-046	.39UF 5% 200V PP



WELLS-GARDNER
ELECTRONICS CORPORATION

K7000

GENERAL REPLACEMENT PARTS LIST For all K7000 models except where noted. This monitor contains circuits and components included specifically for safety purposes. For continued protection no changes should be made to the original design, and components shown in shaded areas of schematic, or > ★ on parts list should be replaced with exact factory replacement parts. The use of substitute parts may create a shock fire, radiation or other hazard. Service should be performed by qualified personnel only.

REPLACEMENT PARTS LIST

P447 MAIN BOARD



CAPACITORS

REF. NO.	PART NO.	DESCRIPTION
C40	045X0560-033	Elect 2200 35V
C41	080X0099-505	Disc .001 20% Z5F 500V
C42	045X0560-006	LYT 1000UF 16V
C43	080X0099-505	Disc .001 20% Z5F 500V
C44	046X0544-009	.1 10% 100V P-Prop
C45	045X0560-020	LYT 470UF 16V
C46	045X0560-020	LYT 470UF 16V
C47	080X0099-580	Disc 100 10% Z5F 500V
C48	045X0560-532	Elect 100MF 35V
V49	047X0786-501	.010UF 10% 50V P-Estr
C50	045X0560-023	LYT 1000UF 25V
C51	045X0525-512	Tan .68 10% 35V
C52	047X0786-501	.010UF 10% 50V P-Estr
C53	047X0786-514	.033UF 5% 50V P-Estr
C54	047X0786-515	MYR.022 5% 50V
C55	045X0578-001	Elect 560 200V
C56	045X0569-008	LYT 22UF 160V
C57	045X0569-011	Elect 47 160V
> C59	080X0099-724	Disc .0015 10% Y5P 500V
> C60	080X0099-723	Disc .0022 10% Y5P 500V
> C61	080X0099-723	Disc .0022 10% Y5P 500V
> C62	046X0552-001	.1 20% 125VAC
C63	047X0786-501	.010UF 10% 50V P-Estr

SEMICONDUCTORS

REF. NO.	PART NO.	DESCRIPTION
D1	066X0070-001	Diode 1N914B
D2	066X0070-001	Diode 1N914B
D3	066X0070-001	Diode 1 N914B
D4	066X0070-001	Diode 1N914B
D5	066X0070-001	Diode 1N914B
D6	066X0070-001	Diode 1N914B
D7	066X0070-001	Diode 1N914B
D8	066X0070-001	Diode 1N914B
D9	066X0070 001	Diode 1 N914B
D10	066X0070-001	Diode 1N914B
D11	066X0040-028	Zener Diode 5.1V 5% 0.5W
D12	066X0040-005	Zener Diode 10V 5% 0.5W

SEMICONDUCTORS

REF. NO.	PART NO.	DESCRIPTION
D13	066X0090-001	D 1 Fast SW RU -2
D14	066X 0090 001	D 1 Fast SW RU -2
★ D15	066X0090-001	D 1 Fast SW RU-2
D16	066X0090-001	D 1 Fa st SW RU -2
D17	066X0090-001	D 1 Fa st SW RU -2
D18	066X0084-001	Diode Sanyo GFE10R
> D19	066X0091-001	Diode SI 1A 600V
> D20	066X0091-001	Diode SI 1A 600V
> D21	066X0091-001	Diode SI 1A 600V
> D22	066X0091-001	Diode SI 1A 600V
D23	066X0091-001	Diode SI 1A 600V
D24	066X0091-001	Diode SI 1A 600V
D25	066X0089-001	D 1 Boost
Q1	086X0113-501	TRSTR NPN 2N3904
Q2	086X0113-501	TRSTR NPN 2N3904
Q3	086X0113-501	TRSTR NPN 2N3904
Q4	086X0113-501	TRSTR NPN 2N3904
Q5	086X0113-501	TRSTR NPN 2N3904
Q6	086X0113-501	TRSTR NPN 2N3904
Q7	086X0113-501	TRSTR NPN 2N3904
Q8	086X0113-501	TRSTR NPN 2N3904
Q9	086X0113-501	TRSTR NPN 2N3904
Q10	086X0185-501	TRSTR NPN CC
Q 11	086X0190-001	T RSTR 2S D 1398
IC1	086X0186-001	IC Video UPC1397 NEC
IC2	086X0187-001	IC Horiz Vert LA7823
IC3	086X0189-001	IC Vert Output UPC13978
> ★ IC4	086X0188-001	Regulator IC STR3123

TRANSFORMERS AND COILS

REF. NO.	PART NO.	DESCRIPTION
★ L1	009A2854-001	Coil Width-TODAI
★ L2	009A2855-001	Coil Lin-TODAI
> ★ T1	053X0528-001	Transf Flyback
T2	052X0131-001	Transf-Horiz Driver



WELLS-GARDNER
ELECTRONICS CORPORATION

K7000

GENERAL REPLACEMENT PARTS LIST For all K7000 models except where noted. This monitor contains circuits and components included specifically for safety purposes. For continued protection no changes should be made to the original design, and components shown in shaded areas of schematic, or > ★ on parts list should be replaced with exact factory replacement parts. The use of substitute parts may create a shock fire, radiation or other hazard. Service should be performed by qualified personnel only.

REPLACEMENT PARTS LIST

P447 MAIN BOARD

MISCELLANEOUS

REF. NO.	PART NO.	DESCRIPTION
>	F1	016X0176-001 Fuse 1.5A SB
		016X0182-001 Fuse Clip
	P1	006A0428-001 Plug Header
	P2	006A0428-001 Plug Header
	P3	006A0427-001 Plug 2 Pin
	P4	006A0406-001 Plug 4 Pin OSHIMA
	P6	006A0429-005 Plug Header
	J202	013X1243-001 Cable Assy 4 Wire 350mm

P456 NECK BOARD (used with CRT's with a 22.5mm neck diameter)

RESISTORS

REF. NO.	PART NO.	DESCRIPTION
R201	340X2272-934	Res 2.7K Ohm 5% 0.25W
R202	340X2151-934	Res 150 Ohm 5% 0.25W
R203	340X2272-934	Res 2.7K Ohm 5% 0.25W
R204	340X2151-934	Res 150 Ohm 5% 0.25W
R205	340X2272-934	Res 2.7K Ohm 5% 0.25W
R206	340X2151-934	Res 150 Ohm 5% 0.25W
R207	340X5682-633	Res 6.8K 2W MO
R208	340X5682-633	Res 6.8K 2W MO
R209	340X5682-633	Res 6.8K 2W MO
R210	340X3272-244	Res 2.7K Ohm 10% 0.5W
R211	340X3272-244	Res 2.7K Ohm 10% 0.5W
R212	340X3272-244	Res 2.7K Ohm 10% 0.5W
R213	340X5689-333	Res .68 Ohm 5% 2W
VR201	040X0653-003	CTRL 2K
VR202	040X0653-001	CTRL 200
VR203	040X0653-003	CTRL 2K
VR204	040X0653-001	CTRL 200
VR205	040X0653-003	CTRL 2K
VR206	040X0653-001	CTRL 200

CAPACITORS

REF. NO.	PART NO.	DESCRIPTION
C201	080X0090-006	Cap 470PF 10% Z5F CER
C202	080X0099-006	Cap 470PF 10% Z5F CER
C203	080X0099-006	Cap 470PF 10% Z5F CER
C204	080X0099-221	C Disc .01 10% Y5P 500V
C205	080X0099-225	C Disc.0015 1.5KV

SEMICONDUCTORS

REF. NO.	PART NO.	DESCRIPTION
Q201	086X0184-001	TRSTR 2SC2068LB/LBBK
Q202	086X0184-001	TRSTR 2SC2068LB/LBBK
Q203	086X0184-001	TRSTR 2SC2068LB/LBBK

MISCELLANEOUS

REF. NO.	PART NO.	DESCRIPTION
P202	006A0429-005	Plug Header
SKT201	003A0636-001	Pix Socket
J6	013X1243-001	Cable Assy 4 Wire 350mm
	030X0797-001	Plug V Pin

P448 NECK BOARD (Used with CRT's with a 29mm neck diameter)

Same as P456 NECK BOARD except:

SKT201	003A0651-001	SOC CRT
--------	--------------	---------

FINAL ASSEMBLY PARTS

REF. NO.	PART NO.	DESCRIPTION
9K7700 SERIES (9")		
> ★	88X0218-506	CRT Toshiba A23JAN99X
★	9A2865-001	Deflection Yoke
	2A0690-001	Purity & Convergence Ring Assembly
	9A2864-001	Degaussing Coil Ass'bly
	8X0378-001	Rubber Wedge
13K7800 SERIES (13")		
> ★	88X0236-506	CRT Orion A34JLLOOX
★	9A2860-001	Deflection Yoke
	2A0690-001	Purity & Convergence Ring Assembly
	9A2856-001	Degaussing Coil Ass'bly
	8X0378-001	Rubber Wedge
19K7600 and 19K7900 SERIES (19")		
> ★	88X0237-506	CRT Phillips MVA48ABK05X
★	9A2862-001	Deflection Yoke
	2A0690-001	Purity 8 Convergence Ring Assembly
	9A2857-001	Degaussing Coil Ass'bly
	208X2400-901	Rubber Wedge
25K7191 SERIES (25")		
> ★	88X0301-506	CRT Rauland A63ADG25X
★	9A2911-002	Deflection Yoke
	2A0684-001	Purity & Convergence Ring Assembly
	9A2938-001	Degaussing Coil Ass'bly
	8X0374-001	Rubber Yoke Wedge





WELLS-GARDNER
ELECTRONICS CORPORATION

K7000

REPLACEMENT PARTS LIST

25" K7000 Main PCB Assembly Replacement Parts List

CAPACITORS		
LOCATION/DESIGNATOR	DESCRIPTION	PART NO.
C52	CAP 0.02mF 10% 50V Poly Film	046X0550-003
C66	CAP 0.001 mF 20% 500V Z5F CER	080X0099-505
C69	CAP 0.0061 mF 2% 1600V Polyprop	046X0536-075
IC3	IC Vertical LA7831 Sanyo	086X0261-001

COILS		
LOCATION/DESIGNATOR	DESCRIPTION	PART NO.
L1	Coil width 45-200UH	009A2838-001
L2	Coil linearity	009A2813-011

MISCELLANEOUS		
LOCATION/DESIGNATOR	DESCRIPTION	PART NO.
R80	RES 3.9 Ohm 5% 1W MO/MF	340X4039-633
R83	RES 680 Ohm 10% 1/2W CC-AB	340X3681-844
R100	RES 820 Ohm 5% 1/2W CF	340X3821-934
R107	RES 1.2K Ohm 5% 1/4W CF	340X2122-934
R110	RES180K Ohm 5% 1/4W CF	340X2184-934
R112	RES 0.47 Ohm 5% 1/2W MO/MF	340X3479-631
R117	RES 680 Ohm 10% 1/2W CC-AB	340X3681-844
R141	RES 820 Ohm 5% 1/2W CF	340X3821-934
R149	RES 1 SK Ohm 5% 1/4W CF	340X2153-934

MISCELLANEOUS		
LOCATION/DESIGNATOR	DESCRIPTION	PART NO.
F1	Fuse 2A 250V SLO-BLO UL/CSA	016X0187-001
SKT201	Socket CRT 29mm	003A0636-002

