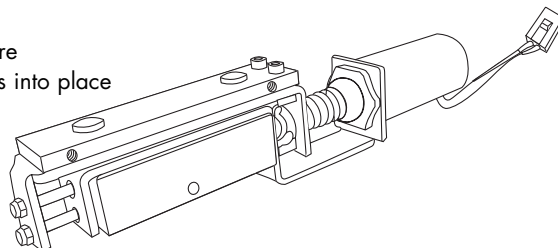


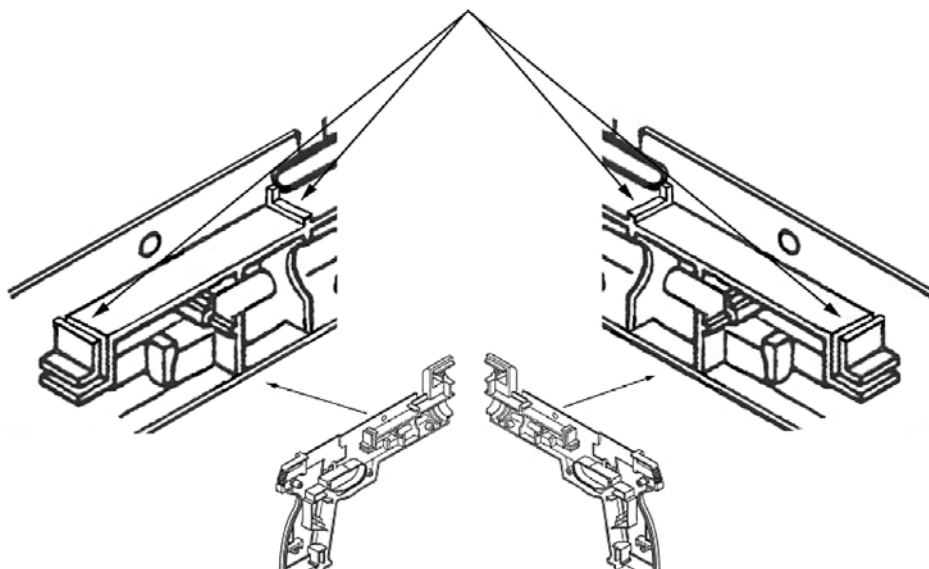
HAPP CONTROLS

Replacement Solenoid Assembly P/N 96-0452-00

- This robust design will virtually eliminate service calls related to solenoid failure
- Slight modification of original gun halves required and the new unit simply fits into place
- 24vdc Solenoid plug compatible
- For use in Time Crisis I, II, III, and Point Blank
- Made in USA



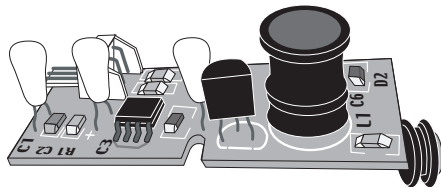
Material must be removed from original NAI gunshells in order to accommodate the NCI solenoid assembly. Modification is identical on both halves of the gun shells.



Other Upgrade Products For Your Namco Gun Games:

REPLACEMENT AMPLIFIED OPTIC SENSOR PCB FOR NAMCO

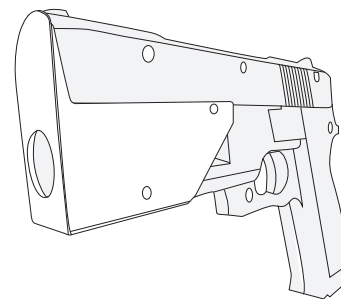
- This unique amplified optic sensor circuit provides improved performance over the original version
- Amplification circuit allows game to function with older monitors that may have lost brightness due to age
- Replaces Namco sensor part number PB09-296-467
- Utilizes same optic sensor as standard Happ Controls guns L14G1
- For use in Time Crisis I, II, III, and Point Blank
- Made in USA



96-0454-00

METAL NOSE GUARD FOR NAMCO RECOIL GUNS

- Stop replacing those broken gun halves
- Protect and extend the life of your plastic gun halves by simply installing this durable stainless steel nose guard
- Comes with longer screw and nut required for installation
- For use in Time Crisis I, II, III, and Point Blank
- Recommend use of Loc-Tite on new screw and nut. See (Link or Page)
- Made in USA



96-0453-00