

1

2

3

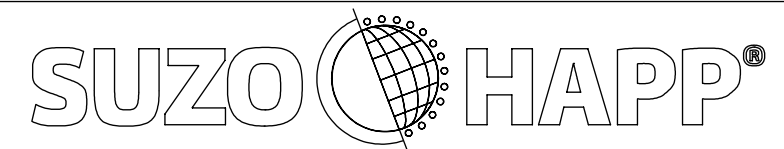
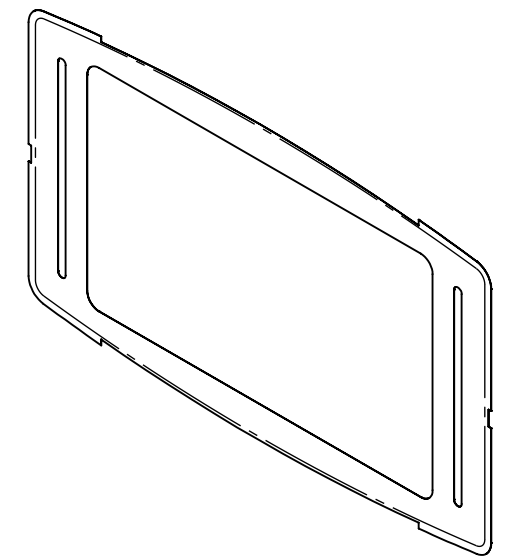
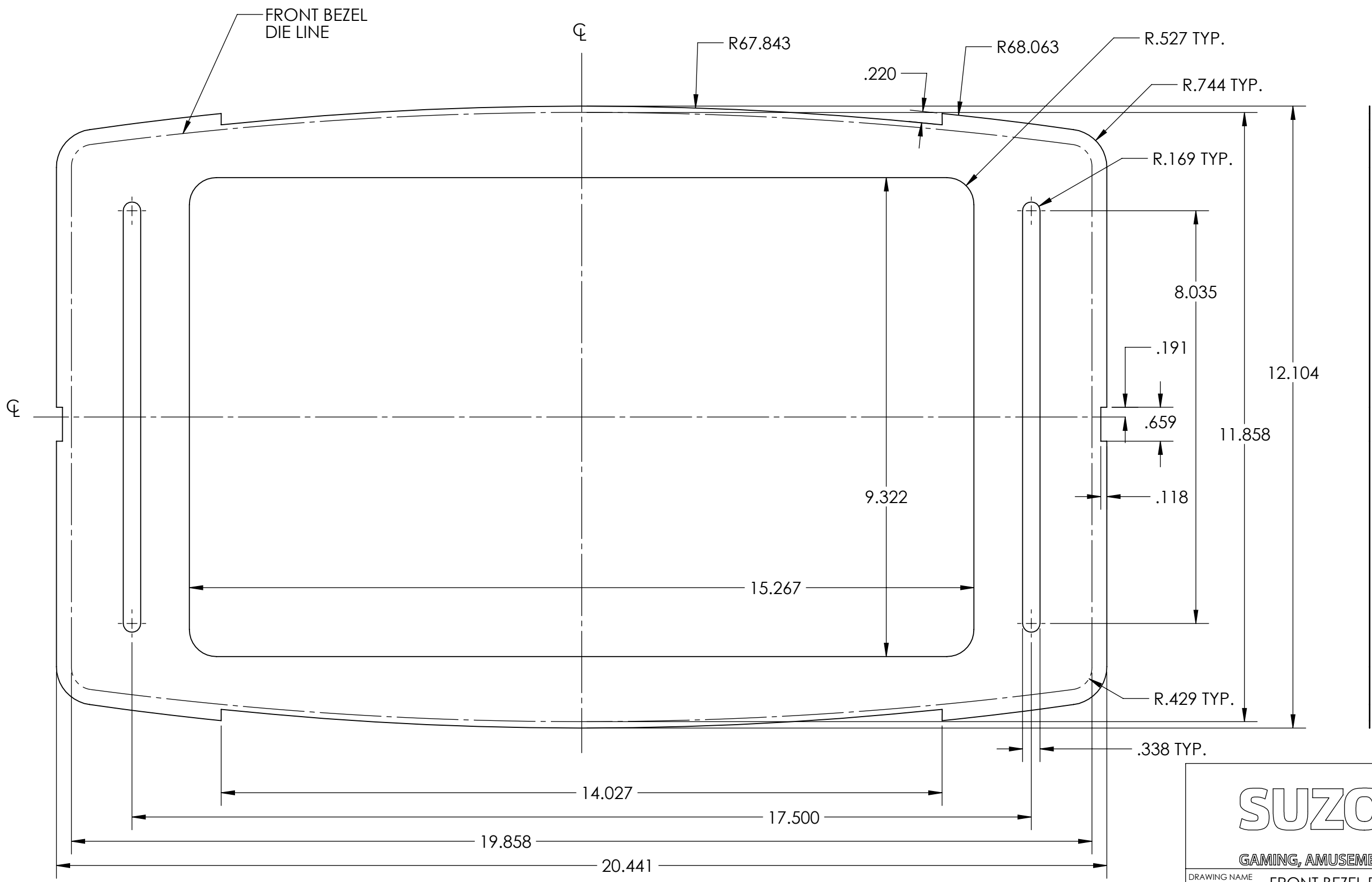
4

5

DRAWING NO.
FRONT BEZEL DIE LINE

REV.	ZONE	DESCRIPTION	E.C.N. #	BY	DATE
A	-	INITIAL RELEASE	-	JAR	10/20/11

D
C
B
A



GAMING, AMUSEMENT AND INDUSTRIAL COMPONENTS

DRAWING NAME FRONT BEZEL DIE LINE (BACKGROUND SHEET) FOR CELEBRATION TOPPER

DRAWN BY JAR DATE 10/20/11 CHECKED BY DATE

SIZE B SCALE 1:2 SHEET 1 of 1 DRAWING NO. FRONT BEZEL DIE LINE REV. A

TOLERANCES ARE:
 FRACTIONS DECIMALS ANGLES
 $\pm 1/32$ XX $\pm .01$ $\pm 0^{\circ}30'$
 XXX $\pm .005$
 UNLESS OTHERWISE SPECIFIED,
 DIMENSIONS ARE IN INCHES.

DO NOT SCALE DRAWING.
 THIS PRINT IS THE PROPERTY OF SUZO HAPP GROUP
 AND SHALL NOT BE REPRODUCED, COPIED NOR DISCLOSED
 TO OTHERS. PRINT TO BE RETURNED UPON REQUEST.