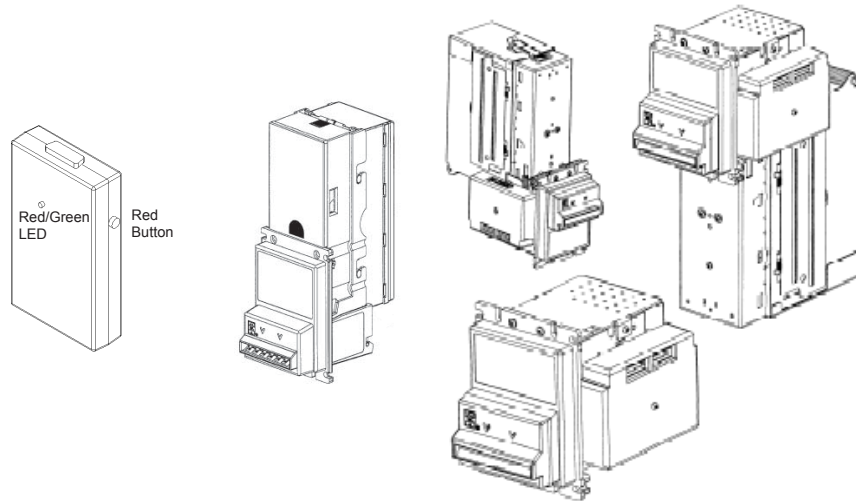




BPM Downloading Alert



When updating MEI bill acceptors with a BPM, **DO NOT** disconnect any harnessing or interrupt communications between the BPM and the bill acceptor until download is complete. Disconnecting any harness could cause corruption of the software or cause the bill acceptor to go into boot loader mode!

Note: Boot Loader mode is when the bill acceptor LED's are flashing rapidly and the unit does not perform a run and stack during power-up!

Approximate time for BPM download:

Series 3000:	1 minute
AE2600:	2 minutes
AE2800:	3 minutes

Successful Download

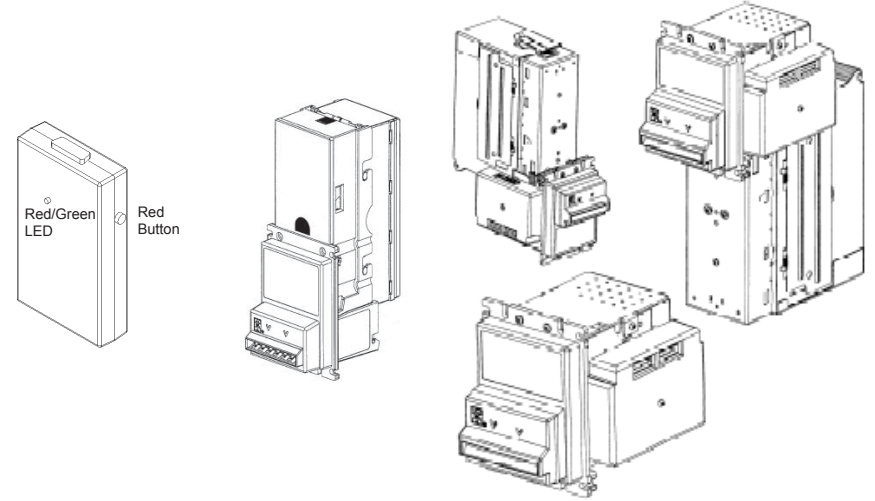
The bill acceptor will perform a run-and-stack signaling a successful download of the software.

Trouble Shooting Hints:

If the harness is disconnected or communication is interrupted during the download process, please power down bill acceptor for approximately 30 seconds and retry download procedure again. If bill acceptor fails after retry, please send unit back to an MEI Authorized Service Center for repair.



BPM Downloading Alert



When updating MEI bill acceptors with a BPM, **DO NOT** disconnect any harnessing or interrupt communications between the BPM and the bill acceptor until download is complete. Disconnecting any harness could cause corruption of the software or cause the bill acceptor to go into boot loader mode!

Note: Boot Loader mode is when the bill acceptor LED's are flashing rapidly and the unit does not perform a run and stack during power-up!

Approximate time for BPM download:

Series 3000:	1 minute
AE2600:	2 minutes
AE2800:	3 minutes

Successful Download

The bill acceptor will perform a run-and-stack signaling a successful download of the software.

Trouble Shooting Hints:

If the harness is disconnected or communication is interrupted during the download process, please power down bill acceptor for approximately 30 seconds and retry download procedure again. If bill acceptor fails after retry, please send unit back to an MEI Authorized Service Center for repair.