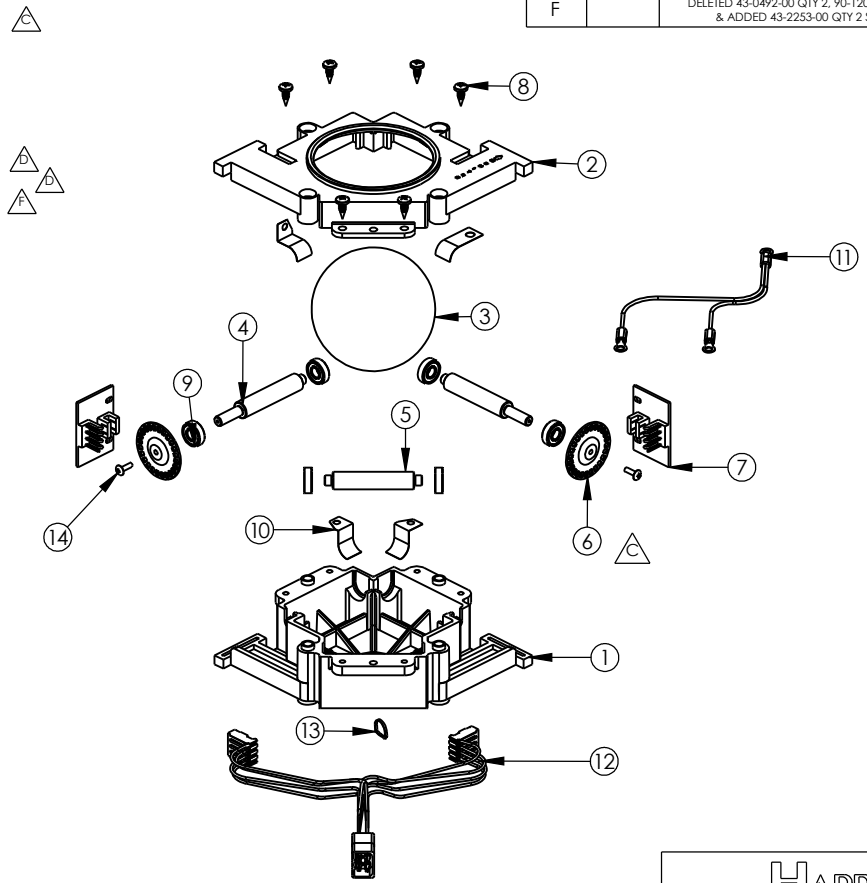


DRAWING NO.  
56-0110-XXEX

ITEM NO.	QTY.	PART NO.	DESCRIPTION
1	1	95-0560-00	3" TRACKBALL BOTTOM BRK
2	1	95-1266-00	3" TRACKBALL TOP BRK (SHORT)
3	1	55-0200-XX	3" TRACKBALL BALL
4	2	95-0576-00	3" TRACKBALL ROLLER SHAFT
5	1	95-0575-00	3" TRACKBALL IDLER SHAFT
6	2	95-1422-00	PLASTIC STAR WHEEL
7	2	A052-1010-00	OPTIC SENSOR PCB W/2 CH. OPTIC
8	6	90-1005-00	SCREW, #8 X 1/2 PH. PN. HD. TYPE B
9	6	95-0570-00	BEARING FOR TRACKBALL OILED
10	4	95-0555-140	TAPE, COPPER SMOOTH 1/2 WIDE
11	1	95-0577-00	GROUND WIRE HAPP TRACKBALL
12	1	95-0303-00	HARNESS T/BALL STANDARD TRACKBALL
13	1	90-1013-00	TIE WRAP 4" LENGTH, SOLD EA.
14	2	43-2253-00	SCREW 4-40 X 3/8 PHIL TRUSS HEAD MS W/LIGHT PATCH ZINC

REV.	ZONE	DESCRIPTION	E.C.N. #	BY	DATE
A	-	INITIAL RELEASE	9433	JAR	09/21/99
B	-	DELETED LABEL 56-9999-00	9488	JAR	10/01/99
C		CHANGED 95-0580-00 TO 95-1422-00	10970	JAR	06/07/00
D		CHANGED (2)95-0555-00 TO (4)95-0555-140 & ADDED 90-1013-00	11588	JAR	08/31/00
E		ADDED "-18" TO COLOR CODE TABLE	16889	JAR	05/21/02
F		DELETED 43-0492-00 QTY 2, 90-1204-00 QTY 2, & ADDED 43-2253-00 QTY 2 SCREW	22356	SAG	3/24/05



**Original**  
By: Pepe Date:08/03/10 9:38

'COLOR CODE (XX = COLOR)	
10	RED SOLID
10T	RED TRANSLUCENT
11	WHITE SOLID
12	BLUE SOLID
12T	BLUE TRANSLUCENT
13	GREEN SOLID
13T	GREEN TRANSLUCENT
15	YELLOW
16	BLACK SOLID
18	CLEAR

**HAPP CONTROLS, inc.**  
Manufacturer of Electronic Controls

DRAWING NAME: TRACKBALL ASSY, 3" HIGH-BALL W/ STANDARD HARNESS

DRAWN BY: JAR    DATE: 09/21/99    CHECKED BY: A. F.    DATE: 24-MAR-05

SIZE: B    SCALE: 1 : 3    DRAWING NO.: 56-0110-XXEX    REV.: F

SHEET: 1 of 1

TOLERANCES ARE:  
FRACTIONS    DECIMALS    ANGLES  
± 1/32    XX ± .01    ± 0°30'  
UNLESS OTHERWISE SPECIFIED,  
DIMENSIONS ARE IN INCHES.

**DO NOT SCALE DRAWING.**

THIS PRINT IS THE PROPERTY OF HAPP CONTROLS INC. AND SHALL NOT BE REPRODUCED, COPIED NOR DISCLOSED TO OTHERS. PRINT TO BE RETURNED UPON REQUEST.