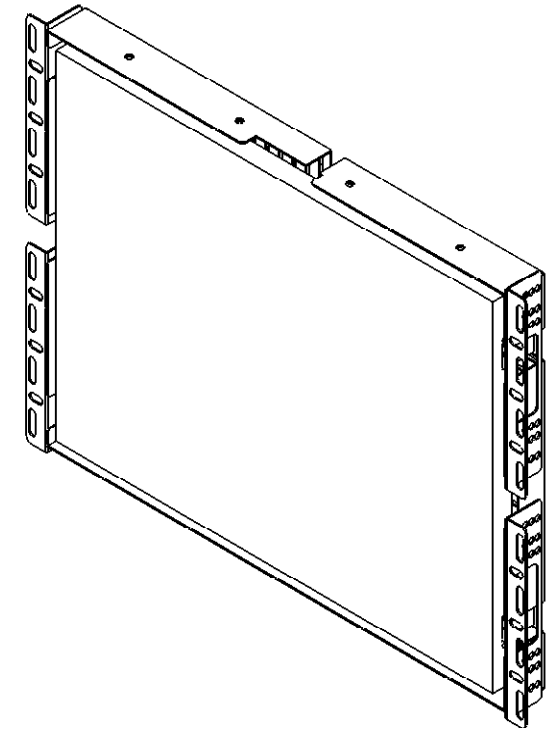
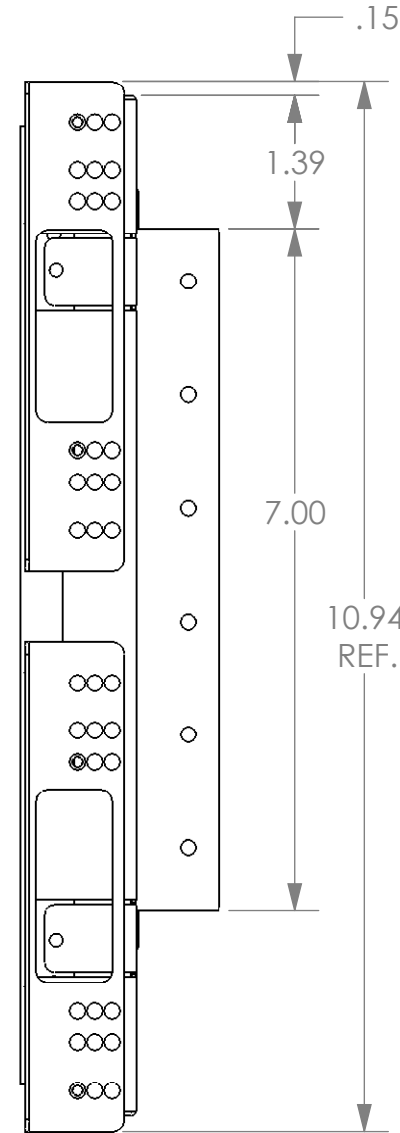
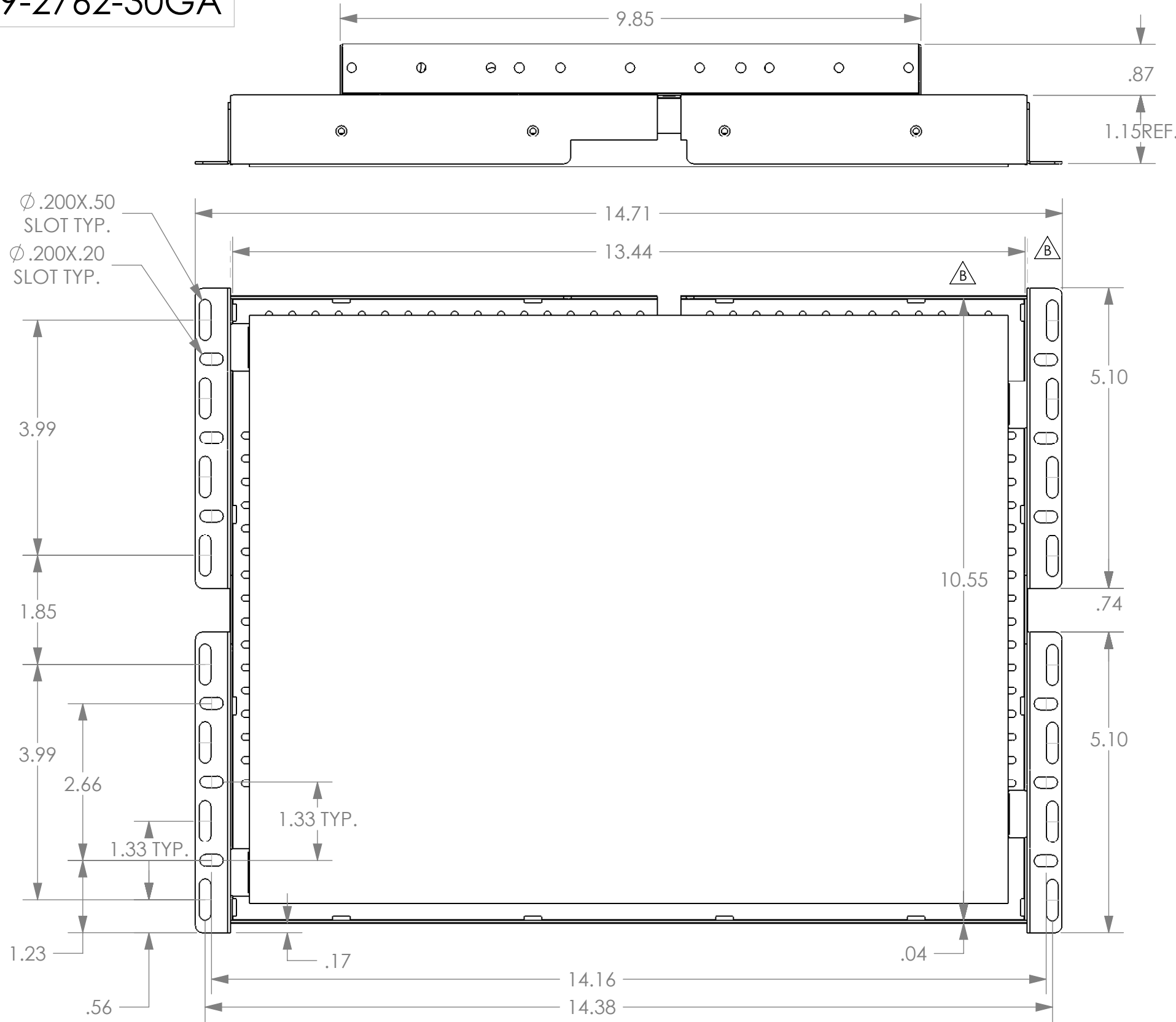


DRAWING NO.
49-2762-30GA

REV.	ZONE	DESCRIPTION	E.C.N. #	BY	DATE
A	-	INITIAL RELEASE	-	JAR	01/17/08
B	-	REDIM 13.44, ADDED DIM 10.55	25552	JAR	02/04/08



SUZO HAPP[®]

GAMING, AMUSEMENT AND INDUSTRIAL COMPONENTS

DRAWING NAME
15" VISION PRO LCD MONITOR CGA /XGA W/O TOUCH SCREEN GEN III

DRAWN BY	JAR	DATE	01/17/08	CHECKED BY		DATE		
SIZE	B	SCALE	FULL	DRAWING NO.	49-2762-30GA		REV.	B
		SHEET	1 OF 1					

TOLERANCES ARE:
FRACTIONS DECIMALS ANGLES
 $\pm 1/32$ XX $\pm .01$ $\pm 0^{\circ}30'$
XXX $\pm .005$
UNLESS OTHERWISE SPECIFIED,
DIMENSIONS ARE IN INCHES.

DO NOT SCALE DRAWING.
THIS PRINT IS THE PROPERTY OF HAPP CONTROLS INC.
AND SHALL NOT BE REPRODUCED, COPIED NOR DISCLOSED
TO OTHERS. PRINT TO BE RETURNED UPON REQUEST.