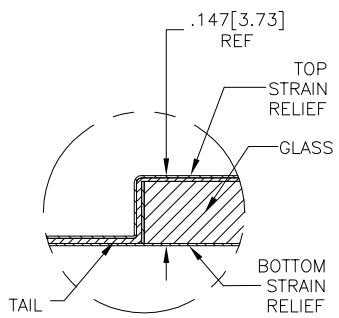
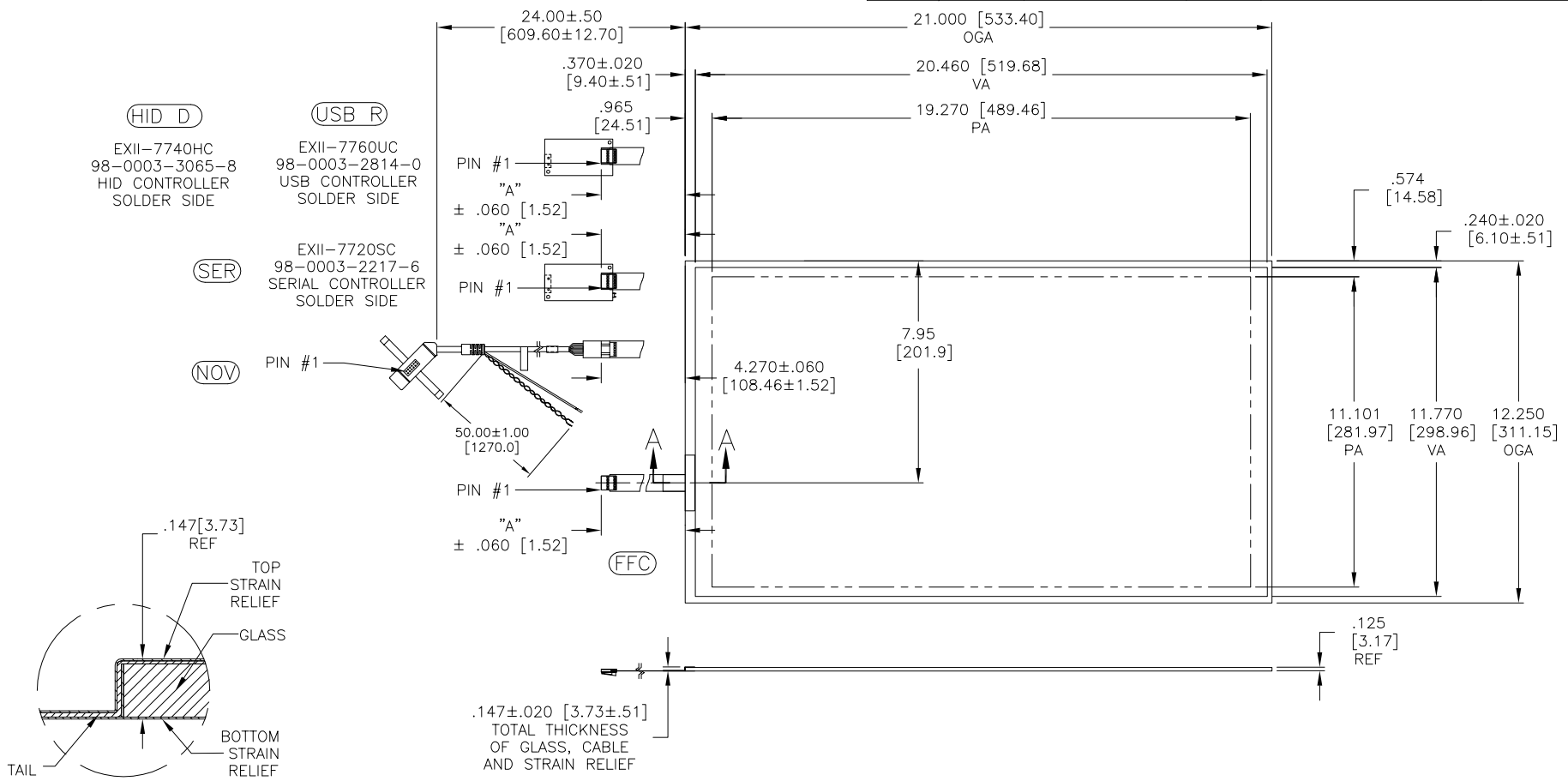


OGA DIAGONAL: 24.31 [617.52]
 VA DIAGONAL: 23.60 [599.54]
 PA DIAGONAL: 22.24 [564.87]

TOP LEVEL NUMBER	US NUMBER	TYPE	DIM "A" (TOTAL GLASS TO CONNECTOR)	A/G FINISH	PROD SPEC
17-9151-206	98-0003-3127-6	NOV	SEE DWG	AG500	23655
N/A	98-0003-3450-2	USB R	8.00 [203.2]	AG500	23655
N/A	98-0003-3451-0	SER	8.00 [203.2]	AG500	23655
N/A	98-0003-3568-1	HID D	8.00 [203.2]	AG500	23655
N/A	98-0003-3412-2	FFC	8.00 [203.2]	AG500	23655
N/A	98-0003-3686-1	FFC	8.00 [203.2]	WC100	34523
N/A	98-0003-3687-9	USB R	8.00 [203.2]	WC100	34523
N/A	98-0003-3688-7	SER	8.00 [203.2]	WC100	34523



.147±.020 [3.73±.51]
 TOTAL THICKNESS
 OF GLASS, CABLE
 AND STRAIN RELIEF

NOTES:

1. WEIGHT OF GLASS IN GRAMS: 1264±10%
2. NICOMATIC HOUSING P/N: OL05
 NICOMATIC RECEPTACLES (PINS) MATTE TIN PLATED P/N: 14106-12
 HOUSING ORIENTED WITH LATCH DOWN

REV	CHANGE NOTICE	DATE	DRW
K	REVISE PER CO 036256	4/13	SB
J	REVISE PER CO 033533	11/11	SB
H	REVISE PER CO 033640	10/11	SB

UNITS INCHES [MM]	 3M TOUCH SYSTEMS METHUEN, MA USA © COPYRIGHT 2008 THIS DOCUMENT IS COPYRIGHTED PROPERTY OF THE 3M COMPANY AND MAY NOT BE REPRODUCED WITHOUT 3M WRITTEN PERMISSION OR USED OR DISCLOSED FOR OTHER THAN 3M AUTHORIZED PURPOSES.
TOLERANCES UNLESS OTHERWISE SPECIFIED .X ± .XX ±.03 [.76] .XXX ±.015 [.38] ANGLES ±1°	
THIRD ANGLE PROJECTION	
DO NOT SCALE DRAWING	DRAWN SB 6/08
SCALE 1 = 1	CAD FORMAT AUTOCAD SHEET 1 OF 1

TITLE	
MARKETING DRAWING	
SCT32NN 23.60" W	
SIZE C	DOCUMENT NO. 35858-MKT
REV K	