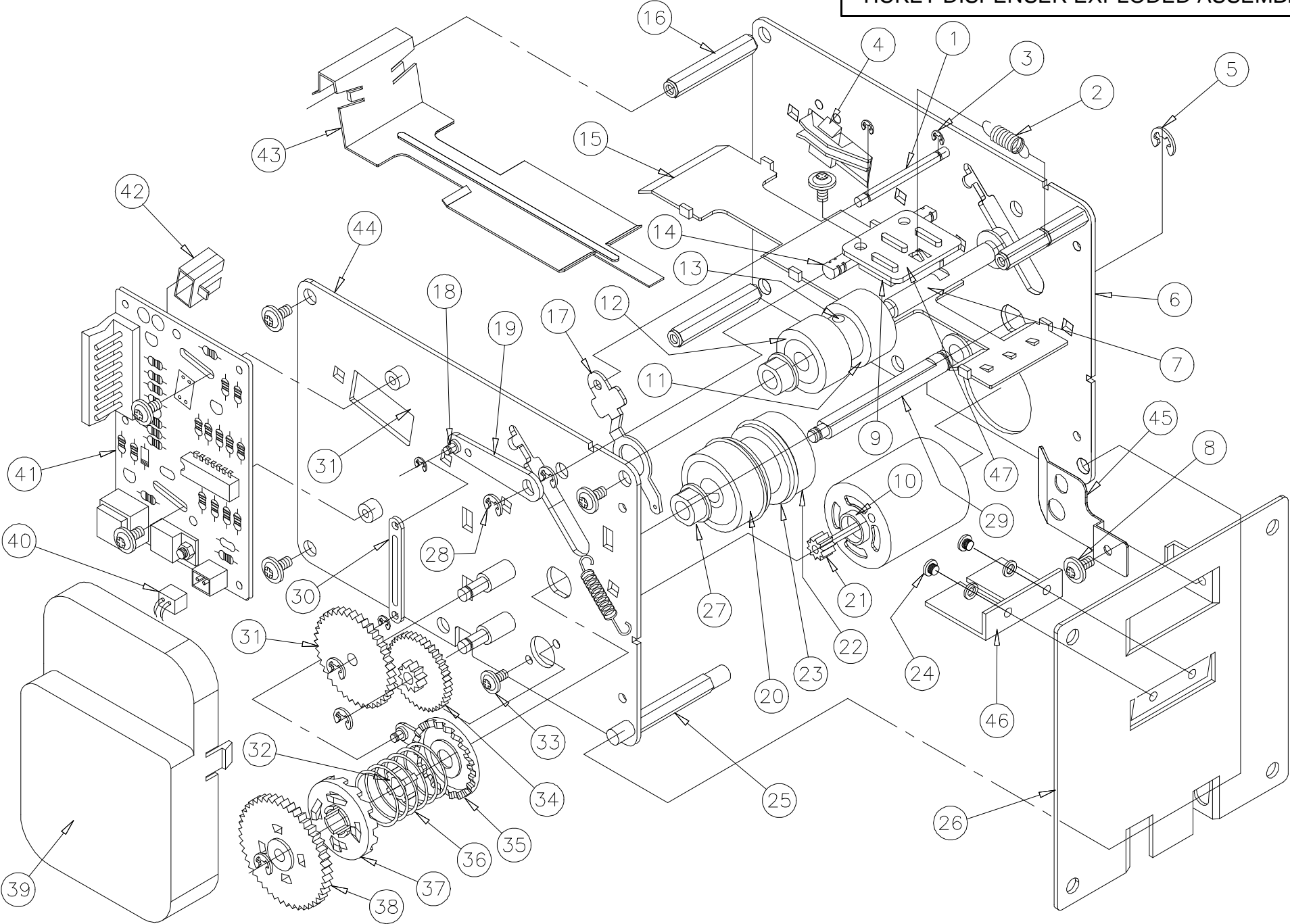


**Entropy** International Co., Ltd.

TICKET DISPENSER EXPLODED ASSEMBLY



# Entropy International Co., Ltd.

REV: 0 SHEET: 2 OF 3 CAD DWG: PARTS DRAWN BY: PARKSON 3/14/94



GEN. TOLERANCES  
UNLESS NOTED  
.X .15  
.XX .05  
ANG. 1 MAX

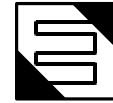
NAME:  
**TICKET  
DISPENSER**

NO.	PART NO.	DESCRIPTION	QTY.
1	104-4011-00	PULL BACK BAR	1
2	110-0005-00	STOPPER SPRING	1
3	106-6011-00	2mm E-RING	2
4	101-1005-00	ADJUSTER BLOCK	1
5	106-6003-00	4mm E-RING	1
6	102-2039-00	R-SIDE BRKT.	1
7	104-4013-00	IDLE SHAFT	1
8	106-6005-00	M3X0.5+6C-N1	16
9	108-8001-00	STOP RUBBER 1/2" x 1"	1
10	212-2002-00	DL MOTOR 12V	1
11	104-4004-01	IDLE ROLLER	1
12	104-4004-03	IDLE ROLLER RUBBER	2
13	106-6001-00	M4X5 HEX SCREW	1
14	104-4015-00	STOPPER SHAFT	1
15	102-2041-00	TICKET GUIDE (BOTTOM)	1
16	104-4006-00	HEX POST	1
17	102-2007-00	ROLLER SLIDE BRACKET	2
18	104-4009-00	STUD	1
19	102-2036-00	LEVER ARM	1
20	101-1017-00	ROLLER (OUTER)	2
21	104-4014	MOTOR PINION 10T	1
22	102-2042	ROLLER RATCH	2
23	101-1018	ROLLER (INNER)	2
24	27-1008	#6-32 SCREW	2

NO.	PART NO.	DESCRIPTION	QTY.
25	104-4017-00	ROTATION SHAFT	1
26	102-2044-00	FACE PLATE	1
27	105-5001-00	SHAFT BUSHING	2
28	106-6019-00	3mm E-RING	1
29	104-4012-00	MAIN SHAFT	1
30	102-2037-00	LINK	1
31	101-1015-00	GEAR-12T, 40T	1
32	101-1012-00	CLUTCH SLEEVE	1
33	106-6002-00	M2.6X0.45+5PS-NI	1
34	101-1014-00	GEAR-1 10T, 39T	1
35	101-1011-00	BRAKE ACTION PLATE	1
36	110-0006-00	CLUTCH SPRING	1
37	101-1010-00	CLUTCH	1
38	101-1013-00	MAIN GEAR 46T	1
39	101-1016-00	GEAR COVER	1
40	214-4001-00	MOTOR LEAD WIRE	1
41	200-963C-00	P.C.B. ASSY (CONTINUOUS)	1
42	101-1007-00	OPTO SWITCH COVER	1
43	102-2034-00	TICKET GUIDE (UP)	1
44	102-2040-00	L-SIDE BRKT.	1
45	102-2045-00	HOLD BLADE	1
46	102-2035-00	TICKET GUIDE (FRONT)	1
47	102-2038-00	STOPPER	1
48	200-963P-00	P.C.B. ASSY (PULSE)	1

# Entropy International Co., Ltd.

REV: 0	SHEET: 3 OF 3	CAD DWG: TDASSY	DRAWN BY: PARKSON 3/14/94
-----------	------------------	--------------------	------------------------------



GEN. TOLERANCES  
UNLESS NOTED  
.X .15  
.XX .05  
ANG. 1 MAX

NAME:  
**TICKET  
DISPENSER**

