

LIGHT STRIP CONTROLLER (20 LEDs)



GAMING, AMUSEMENT AND INDUSTRIAL COMPONENTS

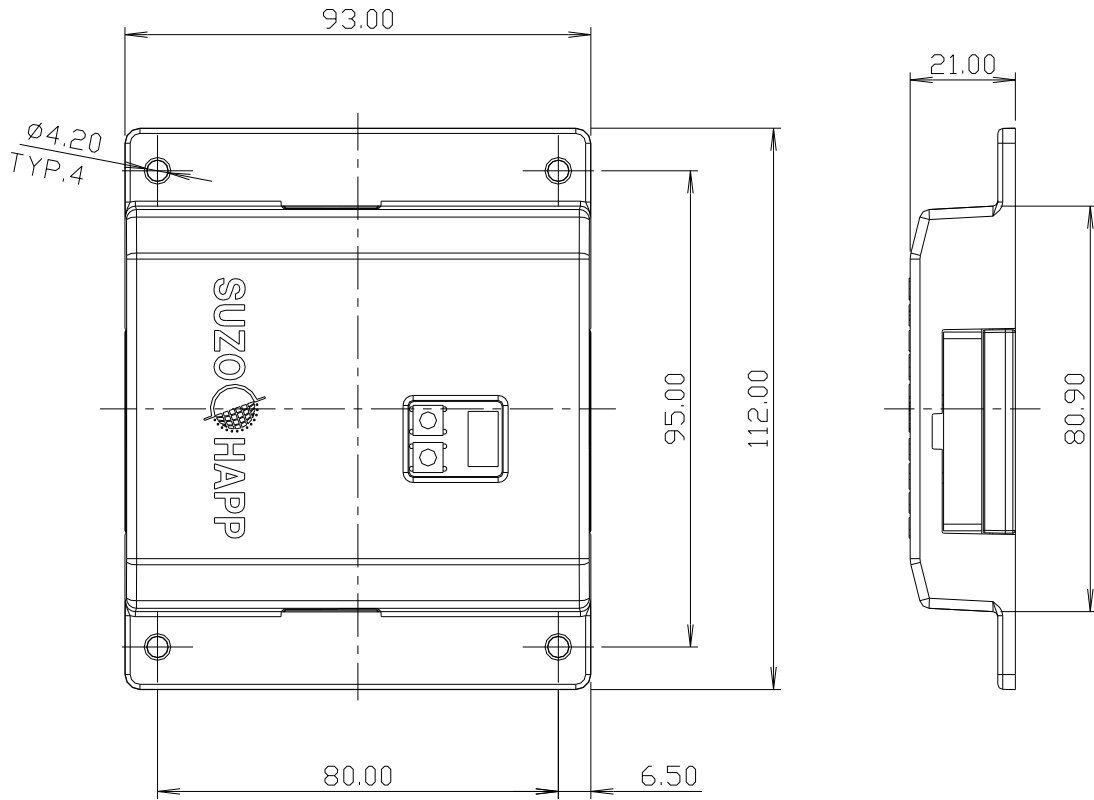


Order Number: 104-0056

LIGHT STRIP CONTROLLER (20 LEDs)

Warning: In case of removal of the diffuser bezel do not look straight into the LEDs since this may cause serious eye injuries!

LIGHT STRIP CONTROLLER (20 LEDs)

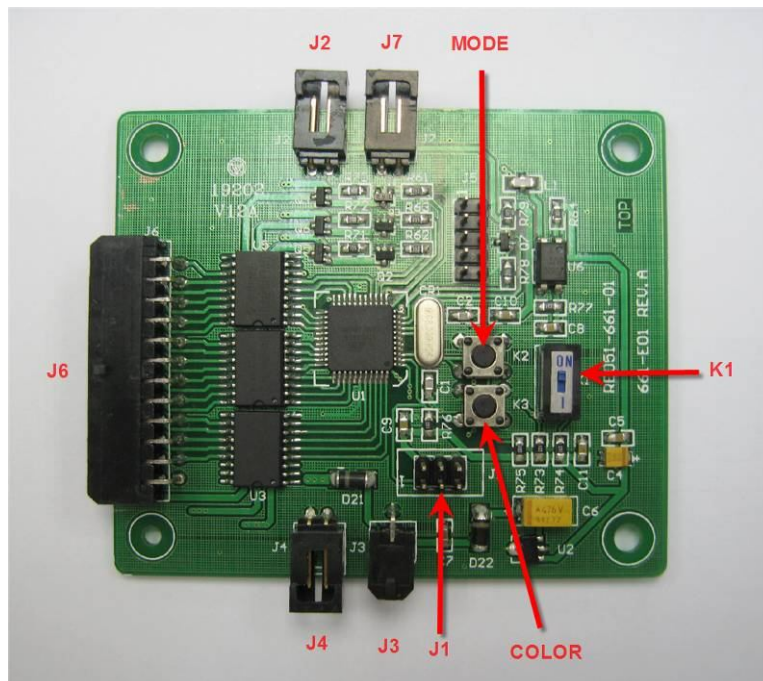


DIMENSIONAL DRAWING

IMPORTANT:

1. Shut-off power from host machine during installation.
2. Power supply to Topper: 12VDC 3A.
3. For best performance, synchronize cable (J2 / 4) should not be longer than 10M.
Extended cable should comply with UL 2464.

LIGHT STRIP CONTROLLER (20 LEDs)



CONNECTOR J1 (MCU PROGRAMMING)

PIN. NO.	1	2	3	4	5	6
FUNCTION	MISO	+5V	SCK	MOSI	RESET	GND

CONNECTOR J2 / J4 (SYNC)

PIN. NO.	1	2
FUNCTION	GND	TXD/RXD

CONNECTOR J3 (POWER IN)

PIN. NO.	1	2
FUNCTION	+12V	GND

CONNECTOR J7 (CONTROL)

PIN. NO.	1	2
FUNCTION	GND	TXD/RXD

CONNECTOR J6 (LIGHT STRIP)

PIN. NO.	1	2	3	4	5	6	7	8	9	10	11	12
FUNCTION	R	G	B	D1	D2	D3	D4	D5	D6	D7	D8	D9
PIN. NO.	13	14	15	16	17	18	19	20	21	22	23	24
FUNCTION	D10	D11	D12	D13	D14	D15	D16	D17	D18	D19	-	D20

Features:

LIGHT STRIP CONTROLLER (20 LEDs)

- Setting Color

You may select flashing color set out of seven pre-defined combinations as below:

- A. Press COLOR button on the main control board once - Topper will switch to next and stay on this color set until COLOR button is activated again.
- B. Last color setting will be stored to memory when power off.
- C. The seven color sets are defined as follow:
 1. Red - Blue - White (Default setting)
 2. Green - White - Red
 3. White - Yellow - Red
 4. Yellow - White - Blue
 5. Blue - Purple - White
 6. Green - Blue - Yellow
 7. Green - Red - Blue

- Setting Flashing Pattern

You may select flashing patterns as below:

- A. Cycling through 7 pre-programmed flashing patterns (Default setting)
- B. Press MODE button once - Topper will switch to next flashing pattern and stay on this pattern until MODE button is activated again.
- C. Press and hold MODE button for 3 seconds - Topper will resume to default setting and cycle through the pre-programmed patterns.
- D. Last flashing mode will be stored to memory when power off.

- Synchronize Connected in Series

You may synchronize color and flashing pattern for Light Strip connected in series through standard RS232C COM port as below:

- A. Connect Unit with synchronize cable (J2 / 4) to series link connector as shown on page 3.
- B. Set switch K1 to ON position for the MASTER unit. Others set SWITCH (K1) on OFF position.
- C. Conduct above settings to change color and /or flashing pattern through MASTER unit.

Note: The specifications and information contained here are for quick reference only and are subject to change without notice. For detail product specification, please refer to formal product documentation.