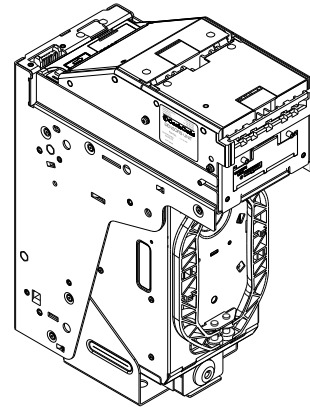


SUZHAPP



FL-NO2513

Front Load Bill Validator

Software Description

100 NOK (2017) Ready!

200 NOK (2017) Ready!

1. CURRENCY:

**50, 100, 200, 500, 1000 Norwegian Krone (NOK)
(Supported Denomination Set SDS-NOK5-R1)**

2. COMMUNICATION PROTOCOL:

FL Bi-Directional Protocol

3. COMPATIBILITY:

(M)FL devices with:

Sense-a-Click Set	Power Interface
FLS-1705/1707	FLP-2510/2710 FLP-5710/9028 FLP-1710/9027

SUZHAPP

1743 Linneman Road, Mount Prospect, IL 60056 USA
PHONE: 1-847-952-5932 or 1-800-239-7017

bill-to-bill@suzhapp.com

<http://www.suzhapp.com/Bill-to-Bill>

© 2017 SUZHAPP PT# UG-FL-NO2513_A 09/17

4. DIP SWITCHES SETTINGS:

SW. #1	ON State	OFF State	Default Setting
SW 1.1	Reserved	Reserved	ON
SW 1.2	Reserved	Reserved	ON
SW 1.3	50 NOK Enabled	50 NOK Disabled	ON
SW 1.4	100 NOK Enabled	100 NOK Disabled	ON
SW 1.5	200 NOK Enabled	200 NOK Disabled	ON
SW 1.6	500 NOK Enabled	500 NOK Disabled	ON
SW 1.7	1000 NOK Enabled	1000 NOK Disabled	ON
SW 1.8	Reserved	Reserved	ON
SW. #2	ON State	OFF State	
SW 2.1	Four Way	One Way	ON
SW 2.2	High Acceptance	High Security	ON
SW 2.3	9 600 bps	19 200 bps	ON
SW 2.4	Service	Host Machine	OFF

5. COMMUNICATION PROTOCOL FEATURES:

- INTERRUPT MODE SUPPORTED;
- DATA SETTING SPECIFICATION

Credit Message	DENOMINATION
61h	Reserved
62h	Reserved
63h	50 NOK
64h	100 NOK
65h	200 NOK
66h	500 NOK
67h	1000 NOK
68h	Reserved

6. OPTIONAL ACCESSORIES AND DOCUMENTS:

- Supported Denomination Set: - Part # SDS-NOK5-R1
- Interface Test Software: - Part # OPT-SW-FLBD