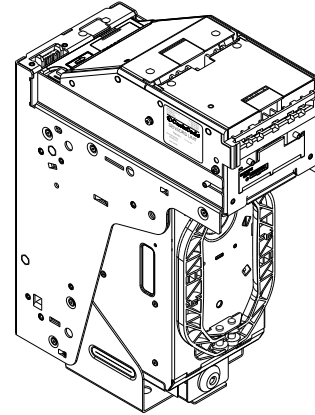


# SUZOHAPP



## FL-NO1112

Front Load Bill Validator

Software Description

**100 NOK (2017) Ready!**

**200 NOK (2017) Ready!**

### 1. CURRENCY:

**50, 100, 200, 500, 1000 Norwegian Krone (NOK)  
(Supported Denomination Set SDS-NOK5-R1)**

### 2. COMMUNICATION PROTOCOL: CCNET

### 3. COMPATIBILITY:

**(M)FL devices with:**

Sense-a-Click Set	Power Interface
FLS-1705/1707	FLP-2510/2710 FLP-5710/9028

## SUZOHAPP

1743 Linneman Road, Mount Prospect, IL 60056 USA  
PHONE: 1-847-952-5932 or 1-800-239-7017

[bill-to-bill@suzohapp.com](mailto:bill-to-bill@suzohapp.com)

<http://www.suzohapp.com/Bill-to-Bill>

© 2017 SUZOHAPP PT# UG-FL-NO1112\_A 09/17

#### 4. DIP SWITCHES SETTINGS:

SW. #1	ON State	OFF State	Default Settings
SW1.1	Reserved	Reserved	ON
SW1.2	Reserved	Reserved	ON
SW1.3	50 NOK Enabled	50 NOK Enabled	ON
SW1.4	100 NOK Enabled	100 NOK Enabled	ON
SW1.5	200 NOK Enabled	200 NOK Enabled	ON
SW1.6	500 NOK Enabled	500 NOK Enabled	ON
SW1.7	1000 NOK Enabled	1000 NOK Enabled	ON
SW1.8	Reserved	Reserved	ON
SW. #2	ON State	OF State	
SW2.1	Four Way	One Way	ON
SW2.2	High Acceptance	High Security	ON
SW2.3	9 600 bps	19 200 bps	ON
SW2.4	Service	Host Machine	OFF

#### 5. BILL TABLE:

BILL TYPE	Denomination
0	-
1	-
2	50 NOK
3	100 NOK
4	200 NOK
5	500 NOK
6	1000 NOK

#### 6. OPTIONAL ACCESSORIES AND DOCUMENTS:

- Supported Denomination Set: - Part # SDS-NOK5-R1
- CCNET Protocol Description: - Part # MAN-CCNET
- Test Software: - Part # OPT-SW-CCNET