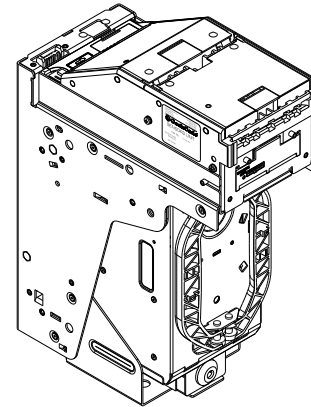


SUZHAPP



FL-MK2014

Front Load Bill Validator

Software Description

200 MKD (2016) Ready!

2000 MKD (2016) Ready!

1. CURRENCY:

**10, 50, 100, 200, 500, 1000, 2000 Macedonian Denar (MKD)
(Supported Denomination Set SDS-MKD7-R1)**

2. COMMUNICATION PROTOCOL:

FL Bi-Directional Protocol

3. COMPATIBILITY:

(M)FL devices with:

Sense-a-Click Set	Power Interface
FLS-1704/1706	FLP-2510/2710 FLP-5710/9028 FLP-1710/9027

SUZHAPP

1743 Linneman Road, Mount Prospect, IL 60056 USA
PHONE: 1-847-952-5932 or 1-800-239-7017

bill-to-bill@suzhapp.com

<http://www.suzhapp.com/Bill-to-Bill>

© 2017 SUZHAPP PT# UG-FL-MK2014_A 08/17

4. DIP SWITCHES SETTINGS:

SW. #1	ON State	OFF State	Default Setting
SW 1.1	10 MKD Enabled	10 MKD Disabled	ON
SW 1.2	50 MKD Enabled	50 MKD Disabled	ON
SW 1.3	100 MKD Enabled	100 MKD Disabled	ON
SW 1.4	200 MKD Enabled	200 MKD Disabled	ON
SW 1.5	500 MKD Enabled	500 MKD Disabled	ON
SW 1.6	1000 MKD Enabled	1000 MKD Disabled	ON
SW 1.7	2000 MKD Enabled	2000 MKD Disabled	ON
SW 1.8	Reserved	Reserved	ON
SW. #2	ON State	OFF State	
SW 2.1	Four Way	One Way	ON
SW 2.2	High Acceptance	High Security	ON
SW 2.3	9 600 bps	19 200 bps	ON
SW 2.4	Service	Host Machine	OFF

5. COMMUNICATION PROTOCOL FEATURES:

- INTERRUPT MODE SUPPORTED;
- DATA SETTING SPECIFICATION:

Credit Message	Denomination
61h	10 MKD
62h	50 MKD
63h	100 MKD
64h	200 MKD
65h	500 MKD
66h	1000 MKD
67h	2000 MKD

6. OPTIONAL ACCESSORIES AND DOCUMENTS:

- Supported Denomination Set: - Part # SDS-MKD7-R1
- Protocol Description: - Part # MAN-FLBD