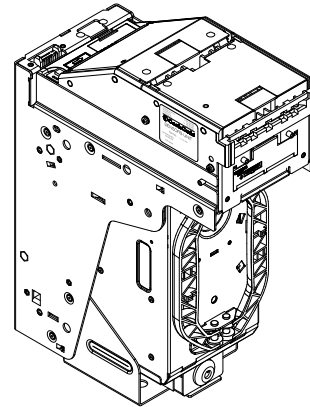


SUZHAPP



FL-KZ2122

Front Load Bill Validator

Software Description

New 20000 KZT (2015) Ready!

1. CURRENCY:

**200, 500, 1000, 2000, 5000, 10000, 20000
Kazakhstani Tenge (KZT)
(Supported Denomination Set SDS-KZT7-R1)**

2. COMMUNICATION PROTOCOL:

FL Bi-Directional Protocol

3. COMPATIBILITY:

(M)FL devices with:

Sense-a-Click Set	Power Interface
FLS-1704/1706	FLP-2510/2710 FLP-5710/9028 FLP-1710/9027

SUZHAPP

1743 Linneman Road, Mount Prospect, IL 60056 USA
PHONE: 1-847-952-5932 or 1-800-239-7017

bill-to-bill@suzhapp.com

<http://www.suzhapp.com/Bill-to-Bill>

© 2016 SUZHAPP PT# UG-FL-KZ2122_A 07/16

4. DIP SWITCHES SETTINGS:

SW. #1	ON State	OFF State	Default Setting
SW 1.1	Reserved	Reserved	ON
SW 1.2	200 KZT Enabled	200 KZT Disabled	ON
SW 1.3	500 KZT Enabled	500 KZT Disabled	ON
SW 1.4	1000 KZT Enabled	1000 KZT Disabled	ON
SW 1.5	2000 KZT Enabled	2000 KZT Disabled	ON
SW 1.6	5000 KZT Enabled	5000 KZT Disabled	ON
SW 1.7	10000 KZT Enabled	10000 KZT Disabled	ON
SW 1.8	20000 KZT Enabled	20000 KZT Disabled	ON
SW. #2	ON State	OFF State	
SW 2.1	Four Way	One Way	ON
SW 2.2	High Acceptance	High Security	ON
SW 2.3	9 600 bps	19 200 bps	ON
SW 2.4	Service	Host Machine	OFF

5. COMMUNICATION PROTOCOL FEATURES:

- INTERRUPT MODE SUPPORTED;
- DATA SETTING SPECIFICATION:

Credit Message	Denomination
62h	200 KZT
63h	500 KZT
64h	1000 KZT
65h	2000 KZT
66h	5000 KZT
67h	10000 KZT
68h	20000 KZT

6. OPTIONAL ACCESSORIES AND DOCUMENTS:

- Supported Denomination Set: - Part # SDS-KZT7-R1
- Protocol Description: - Part # MAN-FLBD
- Test Software: - Part # OPT-SW-FLBD