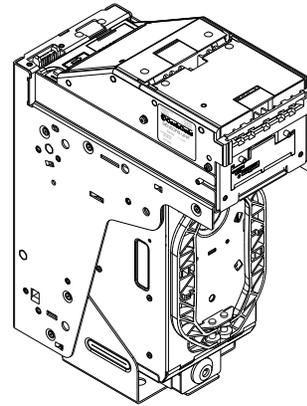


SUZHAPP



FL-GE2020

Front Load Bill Validator
Software Description

New 100 GEL (2016) Ready!

1. CURRENCY:

**5, 10, 20, 50, 100, 200 Georgian Lari (GEL)
(Supported Denomination Set SDS-GEL6-R2)**

2. COMMUNICATION PROTOCOL:

FL Bi-Directional Protocol

3. COMPATIBILITY:

(M)FL devices with:

Sense-a-Click Set	Power Interface
FLS-1704/1706	FLP-2510/2710 FLP-5710/9028 FLP-1710/9027

SUZHAPP

1743 Linneman Road, Mount Prospect, IL 60056 USA
PHONE: 1-847-952-5932 or 1-800-239-7017

bill-to-bill@suzhapp.com

<http://www.suzhapp.com/Bill-to-Bill>

© 2017 SUZHAPP PT# UG-FL-GE2020_A 03/17

4. DIP SWITCHES SETTINGS:

SW. #1	ON State	OFF State	Default Settings
SW1.1	Reserved	Reserved	ON
SW1.2	Reserved	Reserved	ON
SW1.3	5 GEL Enabled	5 GEL Disabled	ON
SW1.4	10 GEL Enabled	10 GEL Disabled	ON
SW1.5	20 GEL Enabled	20 GEL Disabled	ON
SW1.6	50 GEL Enabled	50 GEL Disabled	ON
SW1.7	100 GEL Enabled	100 GEL Disabled	ON
SW1.8	200 GEL Enabled	200 GEL Disabled	ON
SW. #2	ON State	OFF State	
SW2.1	Four Way	One Way	ON
SW2.2	High Acceptance	High Security	ON
SW2.3	9 600 bps	19 200 bps	ON
SW2.4	Service	Host Machine	OFF

6. OPTIONAL ACCESSORIES AND DOCUMENTS:

- Supported Denomination Set: - Part # SDS-GEL6-R2
- Protocol Description: - Part # MAN-FLBD
- Test Software: - Part # OPT-SW-FLBD

5. COMMUNICATION PROTOCOL FEATURES:

- INTERRUPT MODE SUPPORTED;
- DATA SETTING SPECIFICATION:

Credit Message	Denomination
61h	-
62h	-
63h	5 GEL
64h	10 GEL
65h	20 GEL
66h	50 GEL
67h	100 GEL
68h	200 GEL