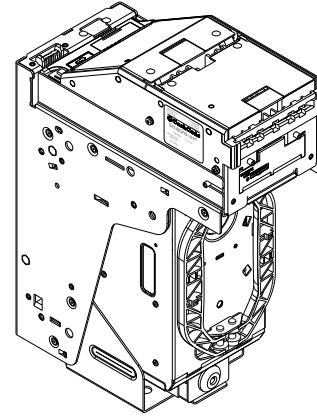


SUZHAPP



FL-GE1115

Front Load Bill Validator Software Description

New 100 GEL (2016) Ready!

1. CURRENCY:

**5, 10, 20, 50, 100, 200 Georgian Lari (GEL)
(Supported Denomination Set SDS-GEL6-R2)**

2. COMMUNICATION PROTOCOL: **CCNET**

3. COMPATIBILITY:

(M)FL devices with:

Sense-a-Click Set	Power Interface
FLS-1704/1706	FLP-2510/2710 FLP-5710/9028

SUZHAPP

1743 Linneman Road, Mount Prospect, IL 60056 USA
PHONE: 1-847-952-5932 or 1-800-239-7017

bill-to-bill@suzhapp.com

<http://www.suzhapp.com/Bill-to-Bill>

© 2017 SUZHAPP PT# UG-FL-GE1115_A 02/17

4. DIP SWITCHES SETTINGS:

SW. #1	ON State	OFF State	Default Setting
SW 1.1	Reserved	Reserved	ON
SW 1.2	Reserved	Reserved	ON
SW 1.3	5 GEL Enabled	5 GEL Disabled	ON
SW 1.4	10 GEL Enabled	10 GEL Disabled	ON
SW 1.5	20 GEL Enabled	20 GEL Disabled	ON
SW 1.6	50 GEL Enabled	50 GEL Disabled	ON
SW 1.7	100 GEL Enabled	100 GEL Disabled	ON
SW 1.8	200 GEL Enabled	200 GEL Disabled	ON
SW. #2	ON State	OFF State	
SW 2.1	Four Way	One Way	ON
SW 2.2	High Acceptance	High Security	ON
SW 2.3	9 600 bps	19 200 bps	ON
SW 2.4	Service	Host Machine	OFF

5. BILL TABLE:

BILL TYPE	DENOMINATION
0	-
1	-
2	5 GEL
3	10 GEL
4	20 GEL
5	50 GEL
6	100 GEL
7	200 GEL

6. OPTIONAL ACCESSORIES AND DOCUMENTS:

- Supported Denomination Set: - Part # SDS-GEL6-R2
- CCNET Protocol Description: - Part # MAN-CCNET
- Test Software: - Part # OPT-SW-CCNET