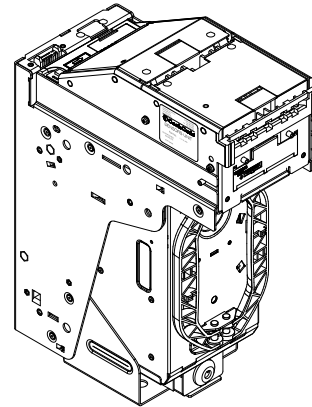


SUZHAPP



FL-GB2014

Front Load Bill Validator
Software Description

New 10 GBP (2017) Ready!

1. CURRENCY:

5, 10, 20 British Pound (GBP)
(Supported Denomination Set SDS-GBP3-R2)

2. COMMUNICATION PROTOCOL:

FL Bi-Directional Protocol

3. COMPATIBILITY:

(M)FL devices with:

Sense-a-Click Set	Power Interface
FLS-1704/1706	FLP-2510/2710 FLP-5710/9028 FLP-1710/9027

SUZHAPP

1743 Linneman Road, Mount Prospect, IL 60056 USA
PHONE: 1-847-952-5932 or 1-800-239-7017

bill-to-bill@suzohapp.com

<http://www.suzohapp.com/Bill-to-Bill>

© 2017 SUZHAPP PT# UG-FL-GB2014_A 05/17

4. DIP SWITCHES SETTINGS:

SW. #1	ON State	OFF State	Default Setting
SW 1.1	5 GBP Enabled	5 GBP Disabled	ON
SW 1.2	10 GBP Enabled	10 GBP Disabled	ON
SW 1.3	20 GBP Enabled	20 GBP Disabled	ON
SW 1.4	Reserved	Reserved	ON
SW 1.5	Reserved	Reserved	ON
SW 1.6	Reserved	Reserved	ON
SW 1.7	Reserved	Reserved	ON
SW 1.8	Reserved	Reserved	ON
SW. #2	ON State	OFF State	
SW 2.1	Four Way	One Way	ON
SW 2.2	High Acceptance	High Security	ON
SW 2.3	9 600 bps	19 200 bps	ON
SW 2.4	Service	Host Machine	OFF

5. COMMUNICATION PROTOCOL FEATURES:

- INTERRUPT MODE SUPPORTED;
- DATA SETTING SPECIFICATION:

Credit Message	Denomination
61h	5 GBP
62h	10 GBP
63h	20 GBP

6. OPTIONAL ACCESSORIES AND DOCUMENTS:

- Supported Denomination Set: - Part # SDS-GBP3-R2