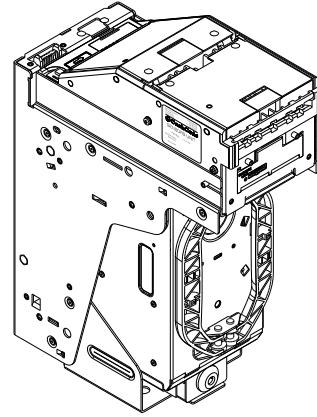


SUZHAPP



FL-EUUSLB1117

Front Load Bill Validator
Software Description

New 50 EUR (2017) Ready!

1. CURRENCY:

5, 10, 20, 50 Euro (EUR)

1, 5, 10, 20, 50, 100 United States Dollar (USD)

**1000, 5000, 10000, 20000, 50000 Lebanese Pound (LBP)
(Supported Denomination Set SDS-EUR4USD6LBP5-R3)**

2. COMMUNICATION PROTOCOL: CCNET

3. COMPATIBILITY:

(M)FL devices with:

Sense-a-Click Set	Power Interface
FLS-1704/1706	FLP-2510/2710 FLP-5710/9028

SUZHAPP

1743 Linneman Road, Mount Prospect, IL 60056 USA
PHONE: 1-847-952-5932 or 1-800-239-7017

bill-to-bill@suzhapp.com

<http://www.suzhapp.com/Bill-to-Bill>

© 2017 SUZHAPP PT# UG-FL-EUUSLB1117_A 01/17

4. DIP SWITCHES SETTINGS:

SW. #1	ON State	OFF State	Default Setting
SW 1.1	1000 LBP Enabled	1000 LBP Disabled	ON
SW 1.2	5000 LBP Enabled	5000 LBP Disabled	ON
SW 1.3	10000 LBP Enabled	10000 LBP Disabled	ON
SW 1.4	20000 LBP Enabled	20000 LBP Disabled	ON
SW 1.5	50000 LBP Enabled	50000 LBP Disabled	ON
SW 1.6	Reserved	Reserved	ON
SW 1.7	EUR Enabled	EUR Disabled	ON
SW 1.8	USD Enabled	USD Disabled	ON
SW. #2	ON State	OFF State	
SW 2.1	Four Way	One Way	ON
SW 2.2	High Acceptance	High Security	ON
SW 2.3	9 600 bps	19 200 bps	ON
SW 2.4	Service	Host Machine	OFF

5. BILL TABLE:

BILL TYPE	DENOMINATION
0	5 EUR
1	10 EUR
2	20 EUR
3	50 EUR
4	-
5	-
6	-
7	1 USD
8	-
9	5 USD
10	10 USD
11	20 USD
12	50 USD
13	100 USD
14	1000 LBP
15	5000 LBP
16	10000 LBP
17	20000 LBP
18	50000 LBP

6. OPTIONAL ACCESSORIES AND DOCUMENTS:

- Supported Denomination Set: - Part # SDS-EUR4USD6LBP5-R3
- CCNET Protocol Description: - Part # MAN-CCNET
- Test Software: - Part # OPT-SW-CCNET