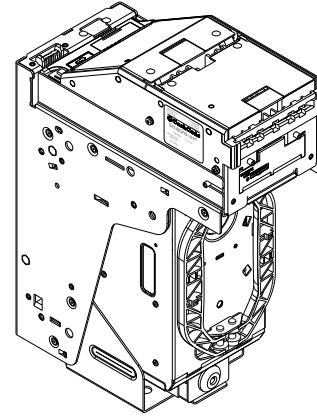


# SUZHAPP



## FL-EUPL1403

Front Load Bill Validator  
Software Description

***New 50 EUR (2017) Ready!***

### 1. CURRENCY:

**5, 10, 20, 50, 100, 200, 500 Euro (EUR)  
10, 20, 50, 100, 200 Polish Zloty (PLN)  
(Supported Denomination Set SDS-EUR7PLN5-R2)**

### 2. COMMUNICATION PROTOCOL: CCNET

### 3. COMPATIBILITY:

(M)FL devices with:

Sense-a-Click Set	Power Interface
FLS-1704/1706	FLP-2510/2710 FLP-5710/9028

## SUZHAPP

1743 Linneman Road, Mount Prospect, IL 60056 USA  
PHONE: 1-847-952-5932 or 1-800-239-7017

[bill-to-bill@suzhapp.com](mailto:bill-to-bill@suzhapp.com)

<http://www.suzhapp.com/Bill-to-Bill>

© 2017 SUZHAPP PT# UG-FL-EUPL1403\_A 01/17

#### 4. DIP SWITCHES SETTINGS:

<b>SW. #1</b>	<b>ON State</b>	<b>OFF State</b>	<b>Default Setting</b>
SW 1.1	5 EUR Enabled	5 EUR Disabled	ON
SW 1.2	10 EUR Enabled	10 EUR Disabled	ON
SW 1.3	20 EUR Enabled	20 EUR Disabled	ON
SW 1.4	50 EUR Enabled	50 EUR Disabled	ON
SW 1.5	100 EUR Enabled	100 EUR Disabled	ON
SW 1.6	200 EUR Enabled	200 EUR Disabled	ON
SW 1.7	500 EUR Enabled	500 EUR Disabled	ON
SW 1.8	PLN Enabled	PLN Disabled	ON
<b>SW. #2</b>	<b>ON State</b>	<b>OFF State</b>	
SW 2.1	Four Way	One Way	ON
SW 2.2	High Acceptance	High Security	ON
SW 2.3	9 600 bps	19 200 bps	ON
SW 2.4	Service	Host Machine	OFF

#### 5. BILL TABLE:

<b>BILL TYPE</b>	<b>DENOMINATION</b>
0	5 EUR
1	10 EUR
2	20 EUR
3	50 EUR
4	100 EUR
5	200 EUR
6	500 EUR
7	10 PLN
8	20 PLN
9	50 PLN
10	100 PLN
11	200 PLN

#### 6. OPTIONAL ACCESSORIES AND DOCUMENTS:

- Supported Denomination Set: - Part # SDS-EUR7PLN5-R2
- CCNET Protocol Description: - Part # MAN-CCNET
- Test Software: - Part # OPT-SW-CCNET