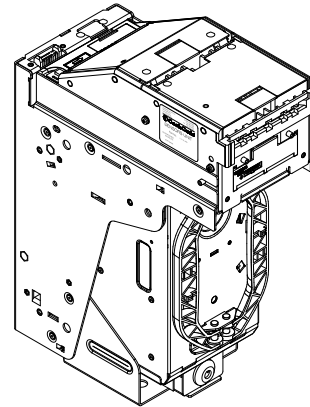


SUZHAPP



FL-EU2132

Front Load Bill Validator
Software Description

New 50 EUR (2017) Ready!

1. CURRENCY:

5, 10, 20, 50, 100, 200, 500 Euro (EUR)
(Supported Denomination Set SDS-EUR7-R2)

2. COMMUNICATION PROTOCOL:

FL Bi-Directional Protocol

3. COMPATIBILITY:

(M)FL devices with:

Sense-a-Click Set	Power Interface
FLS-1704/1706	FLP-2510/2710 FLP-5710/9028 FLP-1710/9027

SUZHAPP

1743 Linneman Road, Mount Prospect, IL 60056 USA
PHONE: 1-847-952-5932 or 1-800-239-7017

bill-to-bill@suzhapp.com

<http://www.suzhapp.com/Bill-to-Bill>

© 2016 SUZHAPP PT# UG-FL-EU2132_A 12/16

4. DIP SWITCHES SETTINGS:

SW. #1	ON State	OFF State	Default Setting
SW 1.1	5 EUR Enabled	5 EUR Disabled	ON
SW 1.2	10 EUR Enabled	10 EUR Disabled	ON
SW 1.3	20 EUR Enabled	20 EUR Disabled	ON
SW 1.4	50 EUR Enabled	50 EUR Disabled	ON
SW 1.5	100 EUR Enabled	100 EUR Disabled	ON
SW 1.6	200 EUR Enabled	200 EUR Disabled	ON
SW 1.7	500 EUR Enabled	500 EUR Disabled	ON
SW 1.8	Reserved	Reserved	ON
SW. #2	ON State	OFF State	
SW 2.1	Four Way	One Way	ON
SW 2.2	High Acceptance	High Security	ON
SW 2.3	9 600 bps	19 200 bps	ON
SW 2.4	Service	Host Machine	OFF

5. COMMUNICATION PROTOCOL FEATURES:

- INTERRUPT MODE SUPPORTED;
- DATA SETTING SPECIFICATION:

Credit Message	Denomination
62h	5 EUR
63h	10 EUR
64h	20 EUR
65h	50 EUR
66h	100 EUR
67h	200 EUR
68h	500 EUR

6. OPTIONAL ACCESSORIES AND DOCUMENTS:

- Supported Denomination Set: - Part # SDS-EUR7-R2
- Protocol Description: - Part # MAN-FLBD
- Test Software: - Part # OPT-SW-FLBD