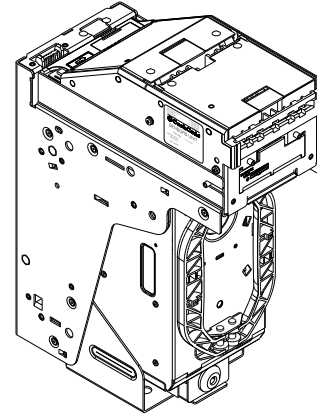


# SUZHAPP



## FL-EU1228

### Front Load Bill Validator Software Description

***New 50 EUR (2017) Ready!***

#### 1. CURRENCY:

**5, 10, 20, 50, 100, 200, 500 Euro (EUR)  
(Supported Denomination Set SDS-EUR7-R2)**

#### 2. COMMUNICATION PROTOCOL: CCNET

#### 3. COMPATIBILITY:

**(M)FL devices with:**

<b>Sense-a-Click Set</b>	<b>Power Interface</b>
FLS-1704/1706	FLP-2510/2710 FLP-5710/9028

## SUZHAPP

1743 Linneman Road, Mount Prospect, IL 60056 USA  
PHONE: 1-847-952-5932 or 1-800-239-7017

[bill-to-bill@suzhapp.com](mailto:bill-to-bill@suzhapp.com)

<http://www.suzhapp.com/Bill-to-Bill>

© 2016 SUZHAPP PT# UG-FL-EU1228\_A 12/16

#### 4. DIP SWITCHES SETTINGS:

SW. #1	ON State	OFF State	Default Setting
SW 1.1	5 EUR Enabled	5 EUR Disabled	ON
SW 1.2	10 EUR Enabled	10 EUR Disabled	ON
SW 1.3	20 EUR Enabled	20 EUR Disabled	ON
SW 1.4	50 EUR Enabled	50 EUR Disabled	ON
SW 1.5	100 EUR Enabled	100 EUR Disabled	ON
SW 1.6	200 EUR Enabled	200 EUR Disabled	ON
SW 1.7	500 EUR Enabled	500 EUR Disabled	ON
SW 1.8	Reserved	Reserved	ON
SW. #2	ON State	OFF State	
SW 2.1	Four Way	One Way	ON
SW 2.2	High Acceptance	High Security	ON
SW 2.3	9 600 bps	19 200 bps	ON
SW 2.4	Service	Host Machine	OFF

#### 5. BILL TABLE:

BILL TYPE	DENOMINATION
0	-
1	-
2	5 EUR
3	10 EUR
4	20 EUR
5	50 EUR
6	100 EUR
7	200 EUR
8	500 EUR

#### 6. OPTIONAL ACCESSORIES AND DOCUMENTS:

- Supported Denomination Set: - Part # SDS-EUR7-R2
- CCNET Protocol Description: - Part # MAN-CCNET
- Test Software: - Part # OPT-SW-CCNET