

# SUZHAPP MFL Firmware File References

**General Firmware Part Number:** FL-AU7116

**Hex File Name:** FL-AU5AAS1-5.16.hex

**Release Date:** July 29, 2020

**HMAC SHA1:** f1969b8887e93536990a71dfb9801e0cc588eac4

**Note:** The Hex file is loaded onto a SUZHAPP MFL memory stick only. The SUZHAPP MFL memory stick is then placed into the SUZHAPP MFL bill validator to download the firmware to the bill validator.

**Program Version:** S516

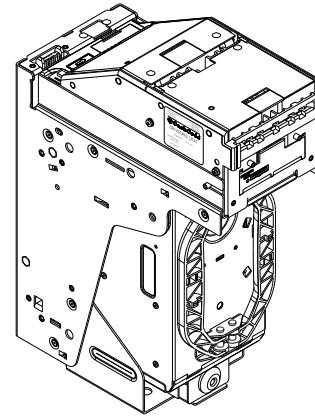
**CRC32:** C0B7C2EE

**Note:** CRC32 calculated with following parameters:

Seed: 0

Start address: 000140

Block length: 008280



## FL-AU7116

### Front Load Bill Validator Software Description

**100 AUD (2020) Ready!**

#### 1. CURRENCY:

**5, 10, 20, 50, 100 Australian Dollar (AUD)  
(Supported Denomination Set SDS-AUD5-R6)**

#### 2. COMMUNICATION PROTOCOL: CCS-VFM

#### 3. COMPATIBILITY:

(M)FL devices with:

Sense-a-Click Set	Power Interface
FLS-1704/1706	FLP-9069



1743 Linneman Road, Mount Prospect, IL 60056 USA  
PHONE: 1-847-952-5932 or 1-800-239-7017

[bill-to-bill@suzohapp.com](mailto:bill-to-bill@suzohapp.com)

<http://www.suzohapp.com/Bill-to-Bill>

© 2020 SUZHAPP PT# UG-FL-AU7116\_A 11/20

#### 4. DIP SWITCHES SETTINGS:

SW. #1	ON State	OFF State	Default Settings
SW 1.1	5 AUD Enabled	5 AUD Disabled	ON
SW 1.2	10 AUD Enabled	10 AUD Disabled	ON
SW 1.3	20 AUD Enabled	20 AUD Disabled	ON
SW 1.4	50 AUD Enabled	50 AUD Disabled	ON
SW 1.5	100 AUD Enabled	100 AUD Disabled	ON
SW 1.6	Reserved	Reserved	ON
SW 1.7	Reserved	Reserved	ON
SW 1.8	Reserved	Reserved	ON
SW. #2	ON State	OFF State	
SW 2.1	Four Way	One Way	ON
SW 2.2	Reserved	Reserved	ON
SW 2.3	Reserved	Reserved	ON
SW 2.4	Service	Host Machine	OFF

#### 5. COMMUNICATION PROTOCOL FEATURES:

DATA SETTING SPECIFICATION:

BILL TYPE	DENOMINATION
83h	5 AUD
84h	10 AUD
85h	20 AUD
86h	50 AUD
87h	100 AUD

#### 6. OPTIONAL ACCESSORIES AND DOCUMENTS:

- Supported Denomination Set: - Part # SDS-AUD5-R6
- Protocol Description: - Part # MAN-CCS
- Test Software: - Part # OPT-SW-INT