

SUZOHAPP MFL Firmware File References

General Firmware Part Number: FL-AU7115

Hex File Name: FL-AU5AAS1-5.15.hex

Release Date: July 17, 2019

HMAC SHA1: 490c7004856da0eefd88c189520f7e267ad7edd3

Note: The Hex file is loaded onto a SUZOHAPP MFL memory stick only. The SUZOHAPP MFL memory stick is then placed into the SUZOHAPP MFL bill validator to download the firmware to the bill validator.

Program Version: S515

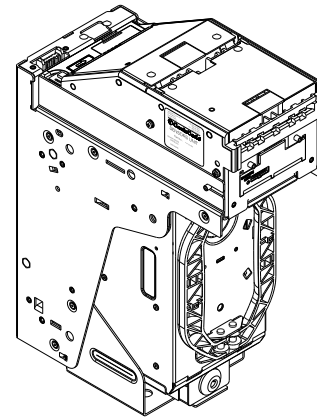
CRC32: DBD92B9C

Note: CRC32 calculated with following parameters:

Seed: 0

Start address: 000140

Block length: 008280



FL-AU7115

Front Load Bill Validator Software Description

20 AUD (2019) Ready!

1. CURRENCY:

**5, 10, 20, 50, 100 Australian Dollar (AUD)
(Supported Denomination Set SDS-AUD5-R5)**

2. COMMUNICATION PROTOCOL: CCS-VFM

3. COMPATIBILITY:

(M)FL devices with:

Sense-a-Click Set	Power Interface
FLS-1704/1706	FLP-9069



1743 Linneman Road, Mount Prospect, IL 60056 USA
PHONE: 1-847-952-5932 or 1-800-239-7017

bill-to-bill@suzohapp.com

<http://www.suzohapp.com/Bill-to-Bill>

© 2019 SUZOHAPP PT# UG-FL-AU7115_A 07/19

4. DIP SWITCHES SETTINGS:

SW. #1	ON State	OFF State	Default Settings
SW 1.1	5 AUD Enabled	5 AUD Disabled	ON
SW 1.2	10 AUD Enabled	10 AUD Disabled	ON
SW 1.3	20 AUD Enabled	20 AUD Disabled	ON
SW 1.4	50 AUD Enabled	50 AUD Disabled	ON
SW 1.5	100 AUD Enabled	100 AUD Disabled	ON
SW 1.6	Reserved	Reserved	ON
SW 1.7	Reserved	Reserved	ON
SW 1.8	Reserved	Reserved	ON
SW. #2	ON State	OFF State	
SW 2.1	Four Way	One Way	ON
SW 2.2	Reserved	Reserved	ON
SW 2.3	Reserved	Reserved	ON
SW 2.4	Service	Host Machine	OFF

5. COMMUNICATION PROTOCOL FEATURES:

DATA SETTING SPECIFICATION:

BILL TYPE	DENOMINATION
83h	5 AUD
84h	10 AUD
85h	20 AUD
86h	50 AUD
87h	100 AUD

6. OPTIONAL ACCESSORIES AND DOCUMENTS:

- Supported Denomination Set: - Part # SDS-AUD5-R5
- Protocol Description: - Part # MAN-CCS
- Test Software: - Part # OPT-SW-INT