

SUZOHAPP MFL Firmware File References

General Firmware Part Number: FL-AU7114

Hex File Name: FL-AU5AAS1-5.14.hex

Release Date: April 02, 2018

HMAC SHA1: 2b0b4081a8a5ddf852e52373f0b4442f302d44bc

Note: The Hex file is loaded onto a SUZOHAPP MFL memory stick only. The SUZOHAPP MFL memory stick is then placed into the SUZOHAPP MFL bill validator to download the firmware to the bill validator.

Program Version: S514

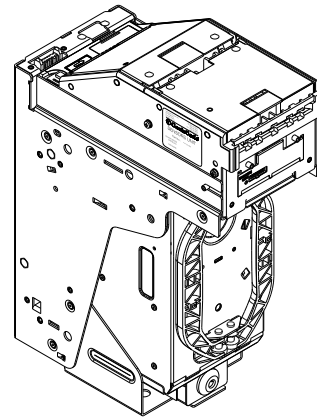
CRC32: 8C8C6367

Note: CRC32 calculated with following parameters:

Seed: 0

Start address: 000140

Block length: 008280



FL-AU7114

**Front Load Bill Validator
Software Description**

50 AUD (2018) Ready!

1. CURRENCY:

**5, 10, 20, 50, 100 Australian Dollar (AUD)
(Supported Denomination Set SDS-AUD5-R4)**

2. COMMUNICATION PROTOCOL: CCS-VFM

3. COMPATIBILITY:

(M)FL devices with:

Sense-a-Click Set	Power Interface
FLS-1704/1706	FLP-9069



1743 Linneman Road, Mount Prospect, IL 60056 USA
PHONE: 1-847-952-5932 or 1-800-239-7017

bill-to-bill@suzohapp.com

<http://www.suzohapp.com/Bill-to-Bill>

© 2018 SUZOHAPP PT# UG-FL-AU7114_B 05/18

4. DIP SWITCHES SETTINGS:

SW. #1	ON State	OFF State	Default Settings
SW 1.1	5 AUD Enabled	5 AUD Disabled	ON
SW 1.2	10 AUD Enabled	10 AUD Disabled	ON
SW 1.3	20 AUD Enabled	20 AUD Disabled	ON
SW 1.4	50 AUD Enabled	50 AUD Disabled	ON
SW 1.5	100 AUD Enabled	100 AUD Disabled	ON
SW 1.6	Reserved	Reserved	ON
SW 1.7	Reserved	Reserved	ON
SW 1.8	Reserved	Reserved	ON
SW. #2	ON State	OFF State	
SW 2.1	Four Way	One Way	ON
SW 2.2	Reserved	Reserved	ON
SW 2.3	Reserved	Reserved	ON
SW 2.4	Service	Host Machine	OFF

5. COMMUNICATION PROTOCOL FEATURES:

DATA SETTING SPECIFICATION:

BILL TYPE	DENOMINATION
83h	5 AUD
84h	10 AUD
85h	20 AUD
86h	50 AUD
87h	100 AUD

6. OPTIONAL ACCESSORIES AND DOCUMENTS:

- Supported Denomination Set: - Part # SDS-AUD5-R4
- Protocol Description: - Part # MAN-CCS
- Test Software: - Part # OPT-SW-INT