

SUZHAPP MFL Firmware File References

General Firmware Part Number: FL-AU5741

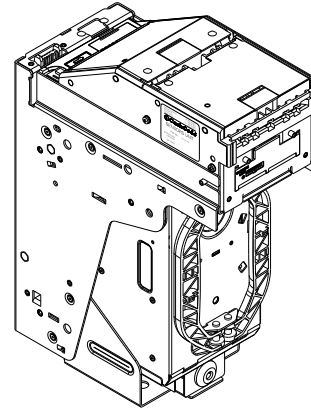
Hex File Name: FL-AU5AAG7-5.41.hex

Release Date: July 29, 2020

Bill Validator CRC Number: (Seed = 0) — C4E5

HMAC SHA1: a165c4c08c7d48838b215f31faa8ca746dbbe87c

Note: The Hex file is loaded onto a SUZHAPP MFL memory stick only. The SUZHAPP MFL memory stick is then placed into the SUZHAPP MFL bill validator to download the firmware to the bill validator.



FL-AU5741

Front Load Bill Validator Software Description

100 AUD (2020) Ready!

1. CURRENCY:

**5, 10, 20, 50, 100 Australian Dollar (AUD)
(Supported Denomination Set SDS-AUD5-R6)**

2. COMMUNICATION PROTOCOL:

FL Bi-Directional G2 Interface

3. COMPATIBILITY:

(M)FL devices with:

Sense-a-Click Set	Power Interface
FLS-1704/1706	FLP-2510/2710 FLP-5710/9028



1743 Linneman Road, Mount Prospect, IL 60056 USA
PHONE: 1-847-952-5932 or 1-800-239-7017

bill-to-bill@suzohapp.com

<http://www.suzohapp.com/Bill-to-Bill>

© 2020 SUZHAPP PT# UG-FL-AU5741_A 10/20

4. DIP SWITCHES SETTINGS:

SW. #1	ON State	OFF State	Default Settings
SW 1.1	5 AUD Enabled	5 AUD Disabled	ON
SW 1.2	10 AUD Enabled	10 AUD Disabled	ON
SW 1.3	20 AUD Enabled	20 AUD Disabled	ON
SW 1.4	50 AUD Enabled	50 AUD Disabled	ON
SW 1.5	100 AUD Enabled	100 AUD Disabled	ON
SW 1.6	Reserved	Reserved	ON
SW 1.7	Reserved	Reserved	ON
SW 1.8	Reserved	Reserved	ON
SW. #2	ON State	OFF State	
SW 2.1	Reserved	Reserved	ON
SW 2.2	Reserved	Reserved	ON
SW 2.3	Reserved	Reserved	ON
SW 2.4	Service	Host Machine	OFF

5. COMMUNICATION PROTOCOL FEATURES:

- Barcode data is sent in ASCII format
- DATA SETTING SPECIFICATION:

Bill Type Number	Denomination
3	5 AUD
4	10 AUD
5	20 AUD
6	50 AUD
7	-
8	100 AUD

6. OPTIONAL ACCESSORIES AND DOCUMENTS:

- Supported Denomination Set: - Part # SDS-AUD5-R6
- Protocol Description: - Part # MAN-CCV22
- Test Software: - Part # OPT-SW-CCV22