

# SUZHAPP MFL Firmware File References

**General Firmware Part Number:** FL-AU2533

**Full Firmware Name:** F(AUS)-02-SW FL-BDP04V025-33 29JUL20 2385

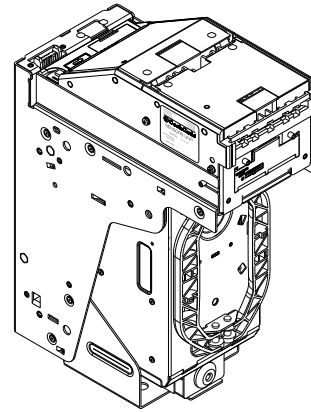
**Hex File Name:** FL-AU5AAD0-4.33.hex

**Release Date:** 29 July 2020

**Bill Validator CRC Number:** (Seed = 0) — 2385

**HMAC SHA1:** 77f3651399bdee548e6b89712ffa2d2faee2b5c3

**Note:** The Hex file is loaded onto a SUZHAPP MFL memory stick only. The SUZHAPP MFL memory stick is then placed into the SUZHAPP MFL bill validator to download the firmware to the bill validator.



## FL-AU2533

Front Load Bill Validator

Software Description

**100 AUD (2020) Ready!**

### 1. CURRENCY:

**5, 10, 20, 50, 100 Australian Dollar (AUD)  
(Supported Denomination Set SDS-AUD5-R6)**

### 2. COMMUNICATION PROTOCOL:

**FL Bi-Directional Protocol**

### 3. COMPATIBILITY:

**(M)FL devices with:**

Sense-a-Click Set	Power Interface
FLS-1704/1706	FLP-2510/2710 FLP-5710/9028 FLP-1710/9027



1743 Linneman Road, Mount Prospect, IL 60056 USA  
PHONE: 1-847-952-5932 or 1-800-239-7017

[bill-to-bill@suzohapp.com](mailto:bill-to-bill@suzohapp.com)

<http://www.suzohapp.com/Bill-to-Bill>

© 2020 SUZHAPP PT# UG-FL-AU2533\_A 10/20

#### 4. DIP SWITCHES SETTINGS:

SW. #1	ON State	OFF State	Default Setting
SW 1.1	5 AUD Enabled	5 AUD Disabled	ON
SW 1.2	10 AUD Enabled	10 AUD Disabled	ON
SW 1.3	20 AUD Enabled	20 AUD Disabled	ON
SW 1.4	50 AUD Enabled	50 AUD Disabled	ON
SW 1.5	100 AUD Enabled	100 AUD Disabled	ON
SW 1.6	Reserved	Reserved	ON
SW 1.7	Reserved	Reserved	ON
SW 1.8	Reserved	Reserved	ON
SW. #2	ON State	OFF State	
SW 2.1	Reserved	Reserved	ON
SW 2.2	Reserved	Reserved	ON
SW 2.3	9 600 bps	19 200 bps	ON
SW 2.4	Service	Host Machine	OFF

#### 6. OPTIONAL ACCESSORIES AND DOCUMENTS:

- Supported Denomination Set: - Part # SDS-AUD5-R6
- Protocol Description: - Part # MAN-FLBD

#### 5. COMMUNICATION PROTOCOL FEATURES:

- INTERRUPT MODE SUPPORTED;
- DATA SETTING SPECIFICATION:

Credit Message	Denomination
63h	5 AUD
64h	10 AUD
65h	20 AUD
66h	50 AUD
67h	100 AUD