

SUZHAPP MFL Firmware File References



MFL Bill Validator
Firmware Guide For
Australian Gaming

General Firmware Part Number: FL-AU2531

Full Firmware Name: F(AUS)-02-SW FL-BDP04V025-31 02APR18 43B9

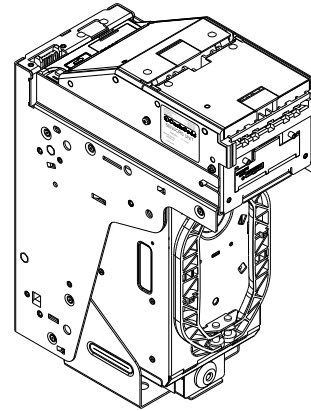
Hex File Name: FL-AU5AAD0-4.31.hex

Release Date: 02 April 2018

Bill Validator CRC Number: (Seed = 0) — 43B9

HMAC SHA1: 64604e0a9ab917b2146ed8c50b5c43577ea5f2b0

Note: The Hex file is loaded onto a SUZHAPP MFL memory stick only. The SUZHAPP MFL memory stick is then placed into the SUZHAPP MFL bill validator to download the firmware to the bill validator.



FL-AU2531

Front Load Bill Validator
Software Description

50 AUD (2018) Ready!

1. CURRENCY:

**5, 10, 20, 50, 100 Australian Dollar (AUD)
(Supported Denomination Set SDS-AUD5-R4)**

2. COMMUNICATION PROTOCOL:

FL Bi-Directional Protocol

3. COMPATIBILITY:

(M)FL devices with:

Sense-a-Click Set	Power Interface
FLS-1704/1706	FLP-2510/2710 FLP-5710/9028 FLP-1710/9027



1743 Linneman Road, Mount Prospect, IL 60056 USA
PHONE: 1-847-952-5932 or 1-800-239-7017

bill-to-bill@suzohapp.com

<http://www.suzohapp.com/Bill-to-Bill>

© 2018 SUZHAPP PT# UG-FL-AU2531_A 04/18

4. DIP SWITCHES SETTINGS:

SW. #1	ON State	OFF State	Default Setting
SW 1.1	5 AUD Enabled	5 AUD Disabled	ON
SW 1.2	10 AUD Enabled	10 AUD Disabled	ON
SW 1.3	20 AUD Enabled	20 AUD Disabled	ON
SW 1.4	50 AUD Enabled	50 AUD Disabled	ON
SW 1.5	100 AUD Enabled	100 AUD Disabled	ON
SW 1.6	Reserved	Reserved	ON
SW 1.7	Reserved	Reserved	ON
SW 1.8	Reserved	Reserved	ON
SW. #2	ON State	OFF State	
SW 2.1	Reserved	Reserved	ON
SW 2.2	Reserved	Reserved	ON
SW 2.3	9 600 bps	19 200 bps	ON
SW 2.4	Service	Host Machine	OFF

5. COMMUNICATION PROTOCOL FEATURES:

- INTERRUPT MODE SUPPORTED;
- DATA SETTING SPECIFICATION:

Credit Message	Denomination
63h	5 AUD
64h	10 AUD
65h	20 AUD
66h	50 AUD
67h	100 AUD

6. OPTIONAL ACCESSORIES AND DOCUMENTS:

- Supported Denomination Set: - Part # SDS-AUD5-R4
- Protocol Description: - Part # MAN-FLBD