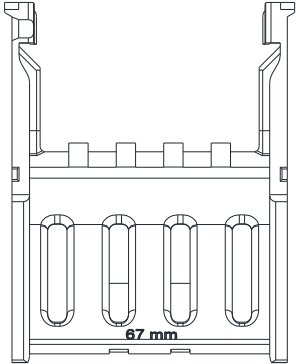
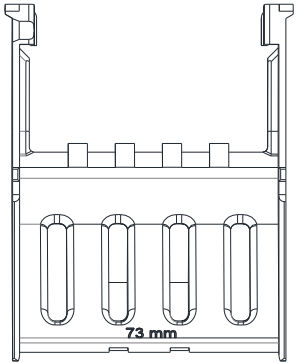


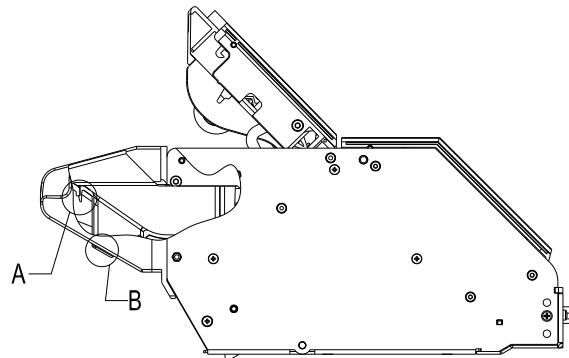
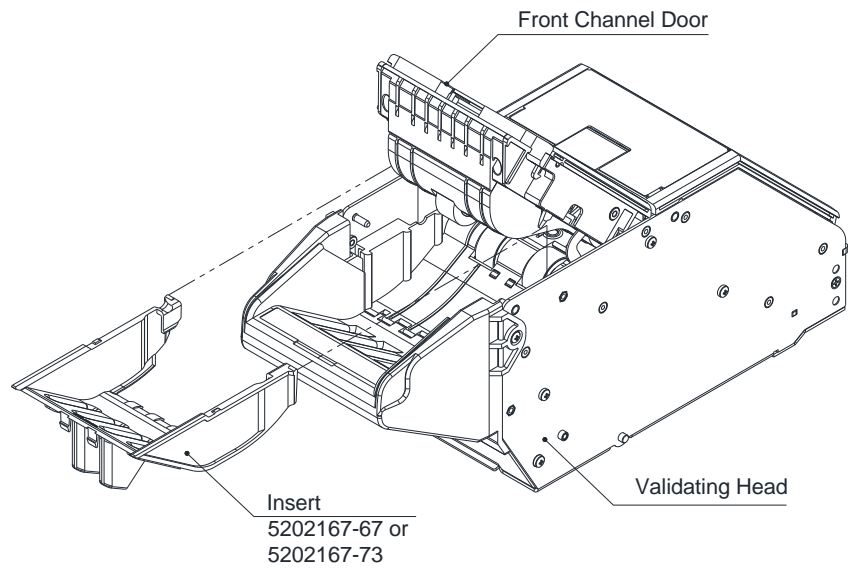
## Bill-to-Bill Currency Management System

**OPT-SL-INSERT-67/73**

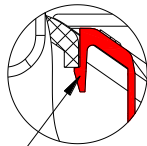
Part No.	Handled Bill Width mm	Figure
5202167-67	67	
5202167-73	73	

## Insert Installation:

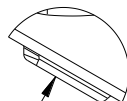
1. Open the Front Channel Door.
2. Install 5202167-67 or 5202167-73 Insert.



DETAIL A  
SCALE 2:1



DETAIL B  
SCALE 2:1



3. Close the Front Channel Door.