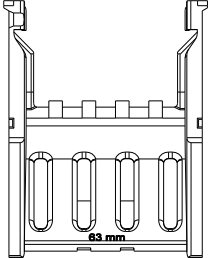
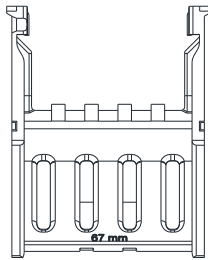
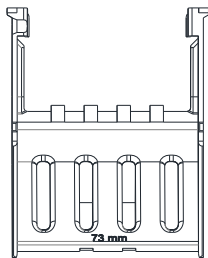


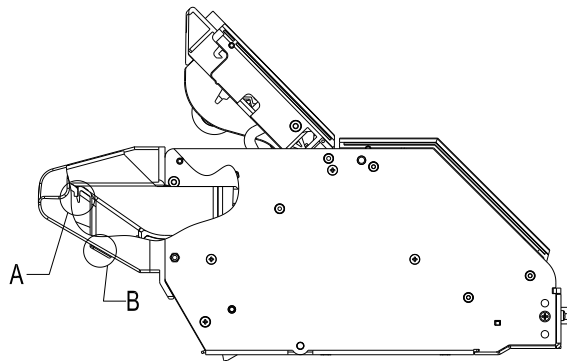
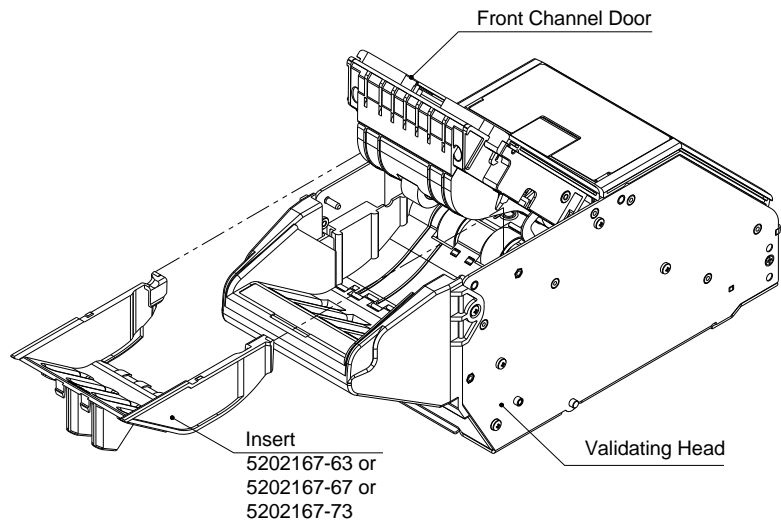
Bill-to-Bill Currency Management System

OPT-SL-INS-63/67/73

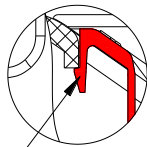
Part No.	Max. Handled Bill Width mm	Figure
5202167-63	63	
5202167-67	67	
5202167-73	73	

Insert Installation:

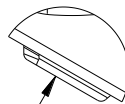
1. Open the Front Channel Door.
2. Install 5202167-63 or 5202167-67 or 5202167-73 Insert.



DETAIL A
SCALE 2:1



DETAIL B
SCALE 2:1



3. Close the Front Channel Door.