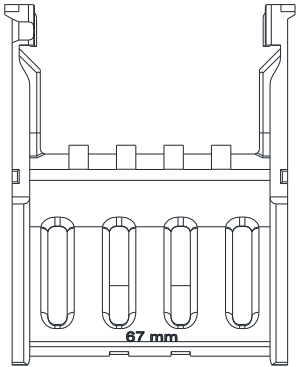
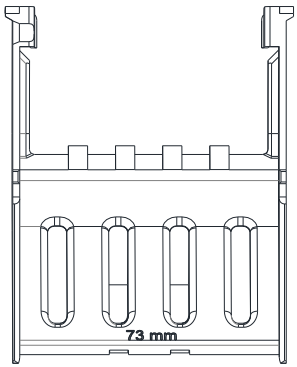


## Bill-to-Bill Currency Management System

### OPT-SL-INSERT-67/73

Part No.	Handled Bill Width mm	Figure
5202167-67	67	 A technical line drawing of a bill insert. It shows a rectangular frame with four vertical slots. A dimension line at the bottom indicates a width of 67 mm.
5202167-73	73	 A technical line drawing of a bill insert, similar to the one above but wider. A dimension line at the bottom indicates a width of 73 mm.

## SUZHAPP

1743 Linneman Road, Mount Prospect, IL 60056 USA  
PHONE: 1-847-952-5932 or 1-800-239-7017

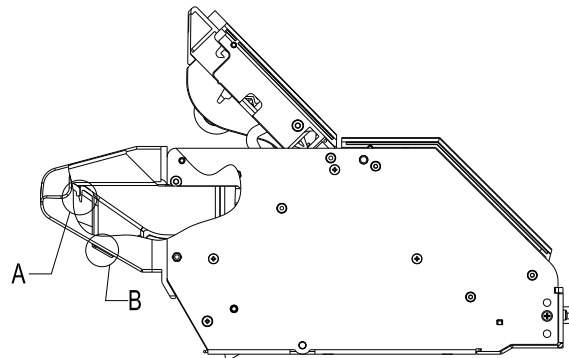
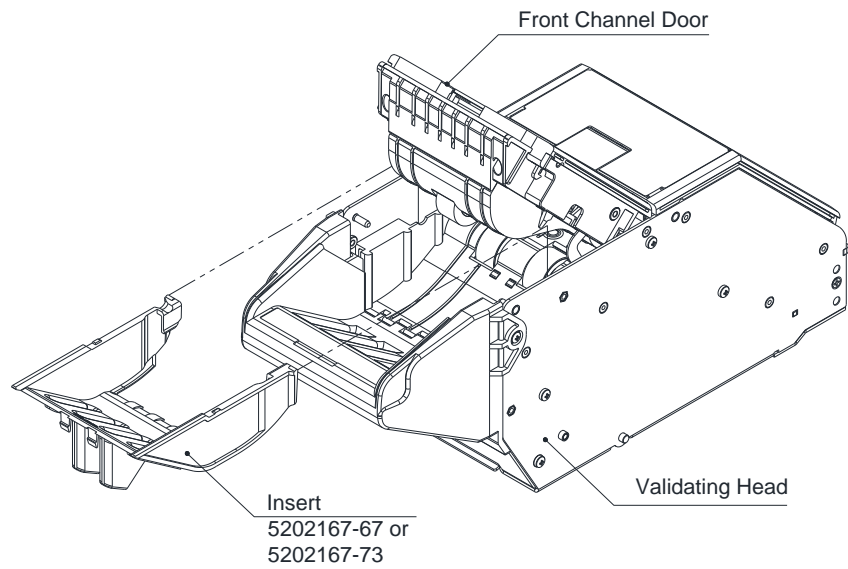
[bill-to-bill@suzohapp.com](mailto:bill-to-bill@suzohapp.com)

<http://www.suzohapp.com/Bill-to-Bill>

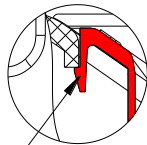
© 2014 Suzo-Happ Group

## Insert Installation:

1. Open the Front Channel Door.
2. Install 5202167-67 or 5202167-73 Insert.

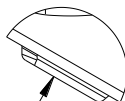


DETAIL A  
SCALE 2:1



Fixing Latch

DETAIL B  
SCALE 2:1



Push to uninstall

3. Close the Front Channel Door.