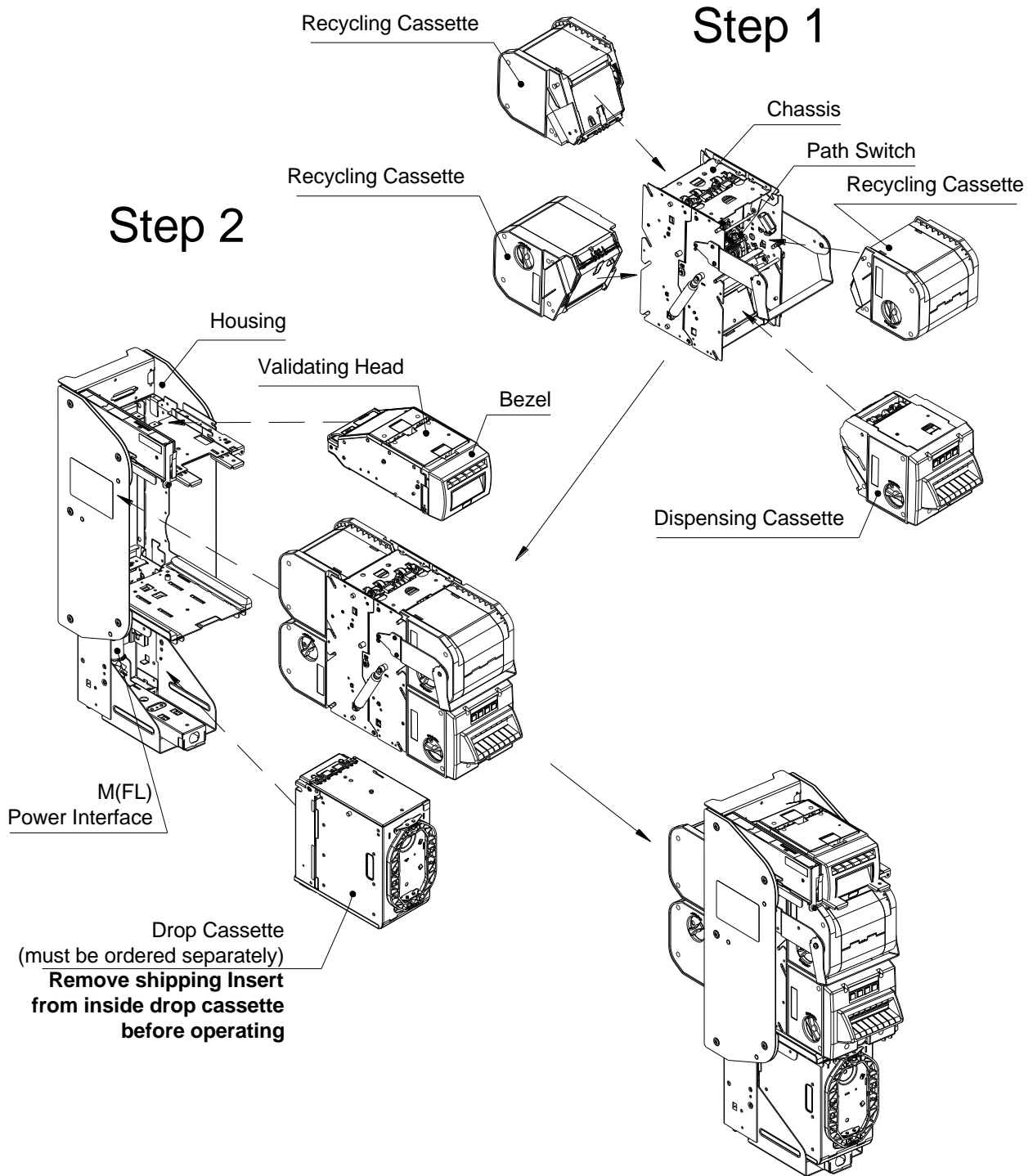
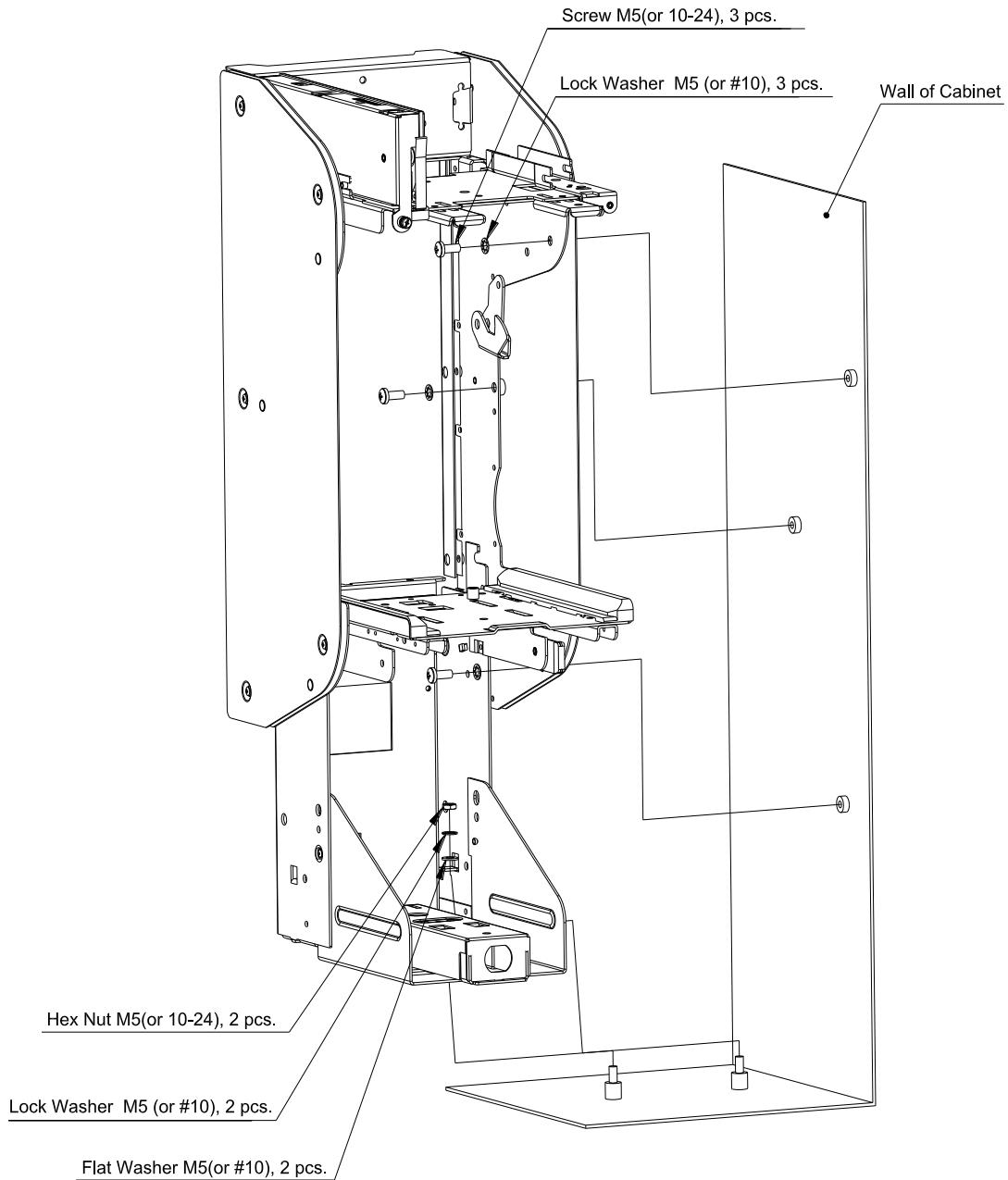


Bill-to-Bill Currency Management System
Preparation
 OPT-BB-INST



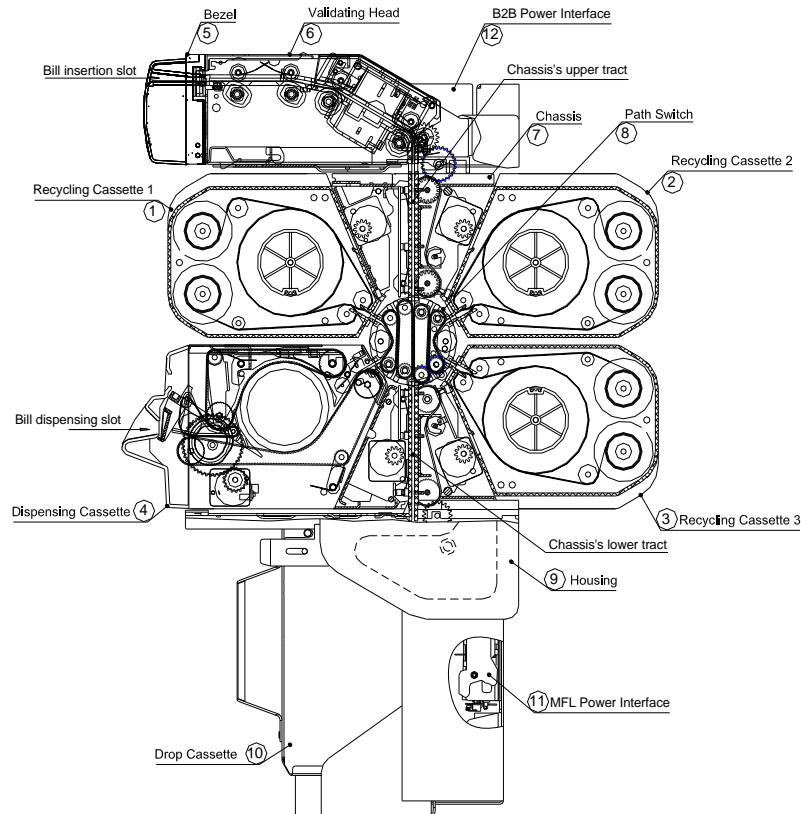
Bill-to-Bill Currency Management System
Mechanical Installation
OPT-BB-INST



Bill-to-Bill Currency Management System

Section View

OPT-BB-INST



Bill-to-Bill
Moving bill from Recycling
Cassettes to Drop Cassette

Bill-to-Bill
Moving bill from Validating Head to
Recycling Cassettes or Drop Cassette

Bill-to-Bill
Moving bill from Recycling Cassettes
to Dispensing Cassette

